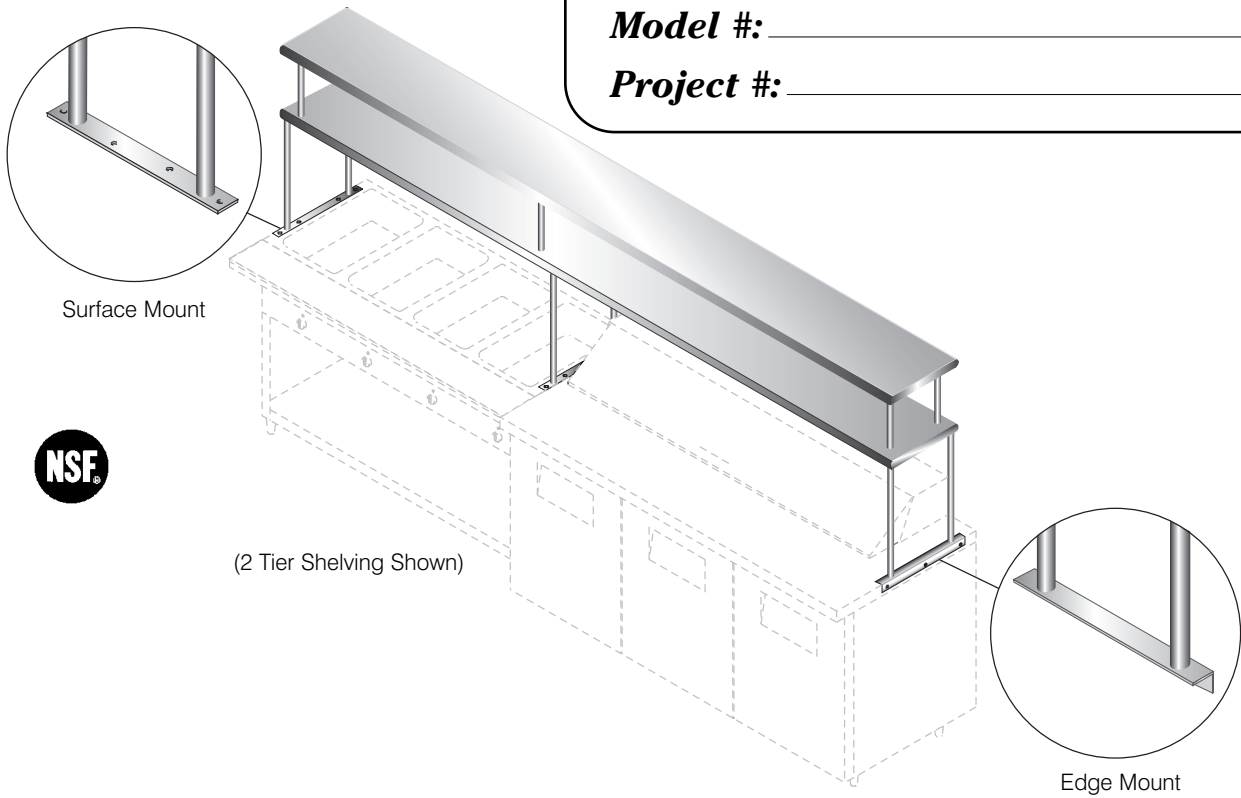


# STAINLESS STEEL SHELVING FOR EXISTING TABLES

Item #: \_\_\_\_\_ Qty #: \_\_\_\_\_  
 Model #: \_\_\_\_\_  
 Project #: \_\_\_\_\_



**A print is required for proper shelf sizing & Support Locations**

**FEATURES:**

Surface Mount or Edge Mount Available.  
 Includes Stainless Steel Heavy Duty Posts.

**CONSTRUCTION:**

All TIG welded.  
 Exposed surfaces polished to a satin finish.  
 (3) sets of supports furnished on 96" & larger units  
 (Specify 1" or 1 5/8" tubing).

**MATERIAL:**

All Shelves are 18 gauge type "430" stainless steel.

**MODIFICATIONS:**

- TA-60 - Special sizing charge for shelves.
- TA-102 - For 24" x 24" shelf extension for Microwave.
- TA-103 - For 24" width.

**SINGLE TIER**

L	18" Wide	Wt
48"	CU-18-48	42 lbs.
60"	CU-18-60	47 lbs.
72"	CU-18-72	54 lbs.
84"	CU-18-84	62 lbs.
96"	CU-18-96	75 lbs.
108"	CU-18-108	80 lbs.
120"	CU-18-120	87 lbs.
132"	CU-18-132	99 lbs.
144"	CU-18-144	112 lbs.

**DOUBLE TIER**

L	18" Wide	Wt
48"	CU-18-48-2	88 lbs.
60"	CU-18-60-2	101 lbs.
72"	CU-18-72-2	117 lbs.
84"	CU-18-84-2	135 lbs.
96"	CU-18-96-2	159 lbs.
108"	CU-18-108-2	184 lbs.
120"	CU-18-120-2	218 lbs.
132"	CU-18-132-2	255 lbs.
144"	CU-18-144-2	298 lbs.

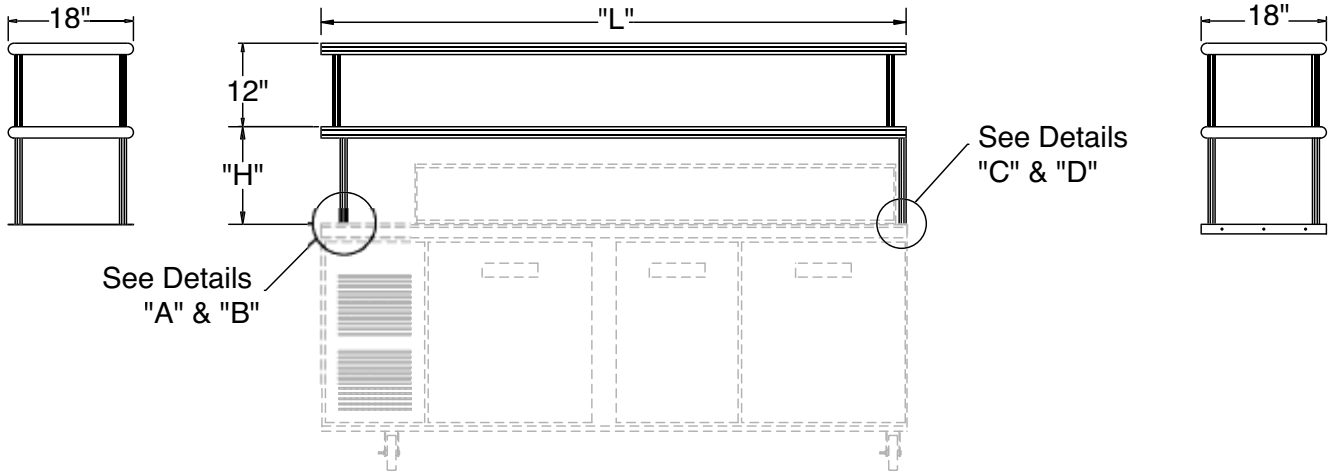
**Optional MODIFICATIONS**

	Model #	Qty
Special Shelf Sizing	TA-60	
24" x 24" Shelf Extension For Microwave	TA-102	
24" Wide Shelving	TA-103	
Additional Length Over 12'	TA-104	

# DETAILS and SPECIFICATIONS

TOL ± .500"

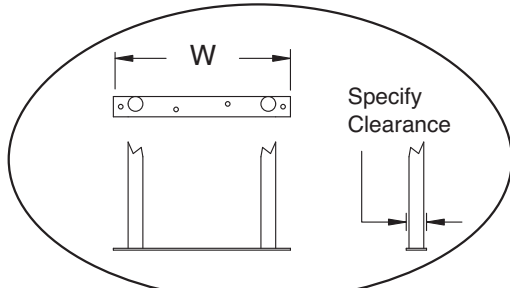
ALL DIMENSIONS ARE TYPICAL



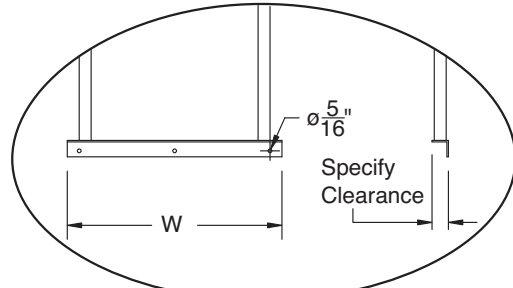
**NOTE:** Specify Height (H) of Lower Shelf

**A print is required for proper shelf sizing**

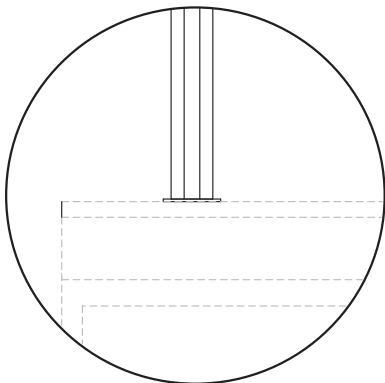
## MOUNTING BRACKET DETAILS



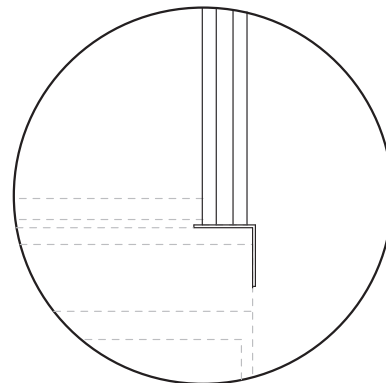
DETAIL "A"  
(Surface Mounting Bracket)



DETAIL "C"  
(Edge Mounting Bracket)



DETAIL "B"  
(Surface Mounting Bracket)



DETAIL "D"  
(Edge Mounting Bracket)

