



DROP-IN COLD PAN UNITS



Drop-in Cold pan units can be placed in existing countertops and other work areas to house items that need to be kept ice cooled. Perfect for cold bar items such as bottle drinks or salad bar items.

FEATURES:

- 8" deep Ice bin with fiberglass insulation
- 1" diameter drain
- Black molding with thermal breaker marine edge

MATERIAL:

- TOP:** 18 gauge #304 stainless steel self rimmed
- ICE BIN:** 20 gauge #300 stainless steel self rimmed
- JACKET:** 20 gauge galvanized steel
- INSULATION:** Styrofoam on sides, polyurethane foam on bottom
- MOLDING:** Extruded black polyethylene thermal breaker marine edge

PLUMBING:

Drain is 1" I.P.S.

Item #:	_____	Qty #:	_____
Model #:	_____		
Project #:	_____		



DICP-1 Shown

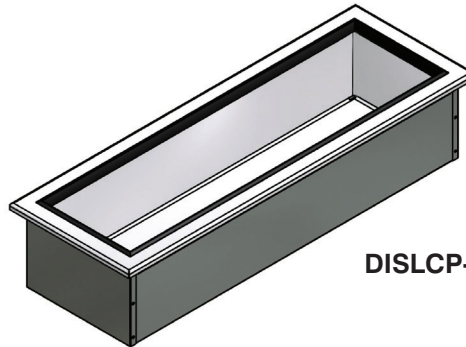
STANDARD SERIES

Model #	Length (L)	Inside Length (B)	Body Length (C)	Cut-Out Size (Unit)	Weight (lbs)	Cubic Feet	Ice Capacity (lbs)
DICP-1	18-13/16"	12-3/16"	17-13/16"	23-3/8" x 17-1/4"	85	6	45
DICP-2	34-1/8"	27-1/2"	33-1/8"	23-3/8" x 32-5/8"	88	10	93
DICP-3	49-7/16"	42-3/4"	48-7/16"	23-3/8" x 47-7/8"	110	14	141
DICP-4	64-3/4"	58-1/8"	63-3/4"	23-3/8" x 63-1/4"	132	18	188
DICP-5	80-1/8"	73-7/16"	79-1/16"	23-3/8" x 78-1/2"	154	23	236
DICP-6	95-3/8"	88-3/4"	94-3/8"	23-3/8" x 93-7/8"	176	27	284

Accessories:

- Buffet Shelf - **Models TBS-(2-5)**
- Serving Shelf - **Models TSS-(2-5)**

CONSULT FACTORY FOR SNEEZE GUARDS



DISLCP-4 Shown

SLIMLINE SERIES

Model #	Length (L)	Inside Length (B)	Body Length (C)	Cut-Out Size (Unit)	Weight (lbs)	Cubic Feet	Ice Capacity (lbs)
DISLCP-2	47 9/16"	42 11/16"	45 1/2"	15-1/8" x 45-7/8"	115	15	93
DISLCP-3	70 3/8"	65 1/2"	68 5/16"	15-1/8" x 68-3/4"	135	21	141
DSLCP-4	93 3/16"	88 5/16"	91 1/8"	15-1/8" x 91-1/2"	155	28	186



Customer Service Available To Assist You **1-800-645-3166** 8:30 am - 8:00 pm E.S.T.

For Orders:

Email: customer@advancetabco.com or Fax To: 631-242-6900

For Smart Fabrication™ Quotes:

Email: smartfab@advancetabco.com or Fax To: 631-586-2933

DIMENSIONS and SPECIFICATIONS

TOL ± .125"

ALL DIMENSIONS ARE TYPICAL

