

# DROP-IN SEALED WELL ELECTRIC UNIT



**DISW-3-120 Shown**

Item #:	_____	Qty #:	_____
Model #:	_____		
Project #:	_____		

**FEATURES:**

- Fiberglass insulation between each compartment
- 12" x 20" die stamped openings
- Full stainless steel construction inside and out.
- Remote control panel
- Units are supplied with drains for wet or dry application
- Drains with gate valves per well

**MATERIAL:**

- TOP:** 18 gauge #304 stainless steel with die stamped pan openings and self rimmed. (12" x 20" opening)
- BODY:** 20 gauge galvanized



**ELECTRICAL:**

- 120V units yield 1100 Watts
- 208V/240V dual voltage units yield 825 Watts at 208V and 1100 Watts at 240V
- 6' electrical cord with plug
- Infinite control knobs
- Indicator lights

**Unit to be hard wired in the field. Optional cord sets available, please consult the factory for more information**

Model #	Length (L)	Unit Cut-Out Size	# of Wells	Wt	Cubic Feet	Volts	Power Consumption
DISW-1-120	18-13/16"	23-3/8" x 17-1/4"	1	34	6	120	20/1100
DISW-2-120	34-1/8"	23-3/8" x 32-5/8"	2	46	11	120	20/1100
DISW-3-120	49-7/16"	23-3/8" x 47-7/8"	3	58	18	120	50/1100
DISW-1-240	18-13/16"	23-3/8" x 17-1/4"	1	34	6	208/240	20/825 • 20/1100
DISW-2-240	34-1/8"	23-3/8" x 32-5/8"	2	46	11	208/240	20/825 • 20/1100
DISW-3-240	49-7/16"	23-3/8" x 47-7/8"	3	58	18	208/240	20/825 • 20/1100
DISW-4-240	64-3/4"	23-3/8" x 63-1/4"	4	70	23	208/240	20/825 • 20/1100
DISW-5-240	80-1/16"	23-3/8" x 78-1/2"	5	82	26	208/240	30/825 • 30/1100
DISW-6-240	95-3/8"	23-3/8" x 93-7/8"	6	94	35	208/240	50/825 • 50/1100

**NOTE: Units are not designed to cook or heat frozen or refrigerated foods. Food placed in tables should already be hot, and the table will maintain the proper temperatures**

**Upgrade Options:**



Manifold Drains (Shown Above) - Add suffix **-M**

Thermostatic Controls - Add suffix **-T**

**Accessories:**

- Buffet Shelf - **Models TBS - (2-5)**
- Serving Shelf - **Models TSS-(2-5)**

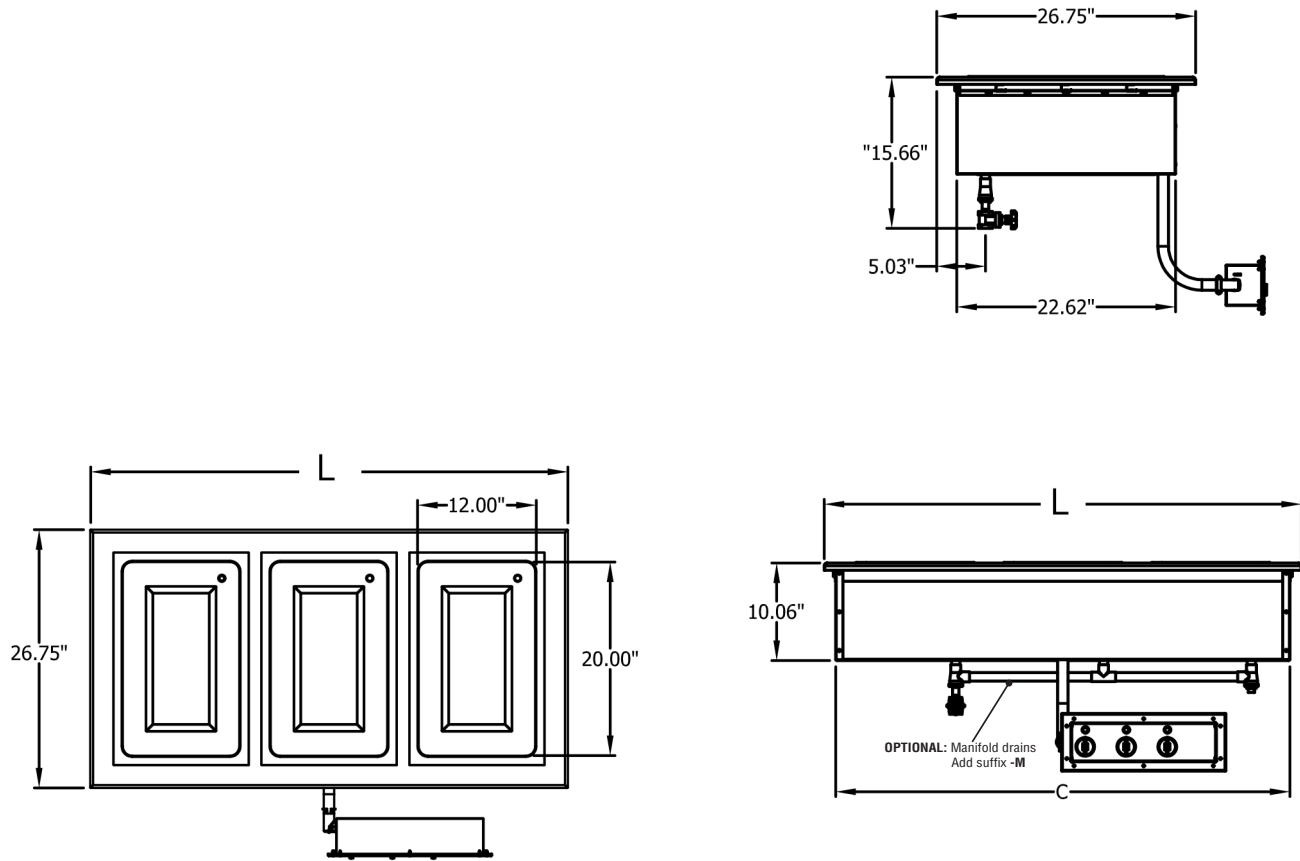
**CONSULT FACTORY FOR SNEEZE GUARDS**

	<b>Customer Service Available To Assist You 1-800-645-3166 8:30 am - 8:00 pm E.S.T.</b>	
	<b>For Orders:</b> Email: <a href="mailto:customer@advancetabco.com">customer@advancetabco.com</a> or Fax To: 631-242-6900	<b>For Smart Fabrication™ Quotes:</b> Email: <a href="mailto:smartfab@advancetabco.com">smartfab@advancetabco.com</a> or Fax To: 631-586-2933

# DIMENSIONS and SPECIFICATIONS

TOL ± .125"

ALL DIMENSIONS ARE TYPICAL



24.00" CABLE LENGTH

CUT-OUT LENGTH (A)

4.00"

6.00"

CUTOUT HEIGHT (B)

FRONT PANEL (C)

## CONTROL PANEL SPECS

Model #	Cut-Out Size Length (A)	Cut-Out Size Height (B)	Front Panel Length (C)
DISW-1	9 -1/2"	4 -5/16"	11 -1/8"
DISW-2	9 -1/2"	4 -5/16"	11 -1/8"
DISW-3	15 -3/8"	4 -5/16"	17"
DISW-4	15 -3/8"	4 -5/16"	17"
DISW-5	15 -3/8"	4 -5/16"	17"
DISW-6	15 -3/8"	4 -5/16"	17"

Unit to be hard wired in the field. Optional cord sets available, please consult the factory for more information

