



TABLE MOUNTED

# KD STAINLESS STEEL OVERSHELVES with Stainless Steel Posts

**Item #:** \_\_\_\_\_ **Qty #:** \_\_\_\_\_  
**Model #:** \_\_\_\_\_  
**Project #:** \_\_\_\_\_



**ETS SERIES**  
14" Stainless Steel Posts

**FEATURES:**

Stainless steel shelving and posts.

**ETS Series** Overall Height = 14"

**EDS Series** Overall Height = 32". Adjustable Mid-Shelf.

Shelves are made with rolled edges (front & rear) with square ends.

Angle brackets provided with stainless steel gusset to receive post.

**CONSTRUCTION:**

All TIG welded.

Exposed surfaces are polished to a satin finish.

**MATERIAL:**

All Shelves are 18 gauge type "430" stainless steel.

Stainless steel posts.

Stainless steel bracket and gusset.



**EDS SERIES**  
32" Stainless Steel Posts

**SINGLE DECK**

L	C	12" Wide	Wt
48"	48 1/4"	ETS-12-48-X	25 lbs.
60"	60 1/4"	ETS-12-60-X	31 lbs.
72"	72 1/4"	ETS-12-72-X	39 lbs.
96"	96 1/4"	ETS-12-96-X	53 lbs.

**DOUBLE DECK**

L	C	12" Wide	Wt
48"	48 1/4"	EDS-12-48-X	42 lbs.
60"	60 1/4"	EDS-12-60-X	53 lbs.
72"	72 1/4"	EDS-12-72-X	64 lbs.
96"	96 1/4"	EDS-12-96-X	86 lbs.



**INCLUDES**  
**ANGLE BRACKETS**

8 ft. units are furnished with three (3) sets of tubing supports.



**Customer Service Available To Assist You 1-800-645-3166 8:30 am - 8:00 pm E.S.T.**

Email Orders To: [customer@advancetabco.com](mailto:customer@advancetabco.com). For Smart Fabrication™ Quotes, Email To: [smartfab@advancetabco.com](mailto:smartfab@advancetabco.com) or Fax To: 631-586-2933

**NEW YORK**  
Fax: (631) 242-6900

**GEORGIA**  
Fax: (770) 775-5625

**TEXAS**  
Fax: (972) 932-4795

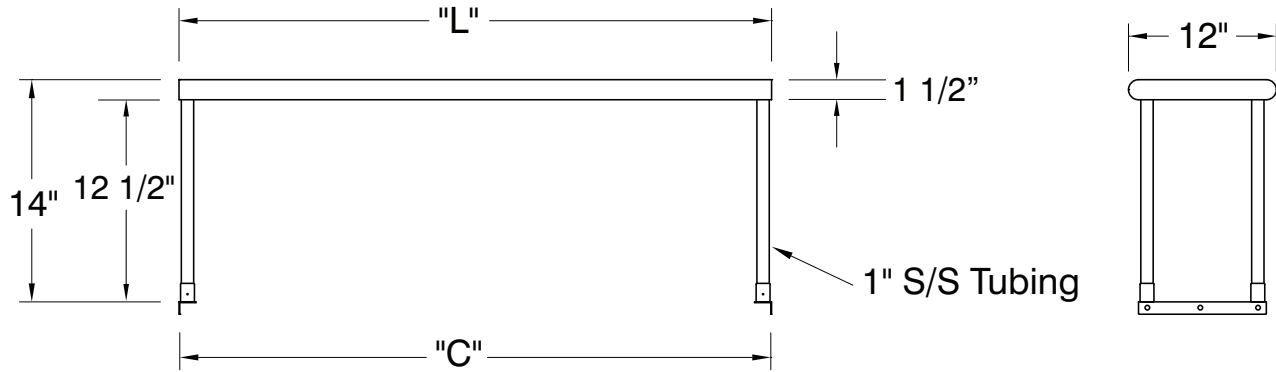
**NEVADA**  
Fax: (775) 972-1578

# DETAILS and SPECIFICATIONS

TOL  $\pm$  .500"

ALL DIMENSIONS ARE TYPICAL

## ETS SERIES - SINGLE DECK



## EDS SERIES - DOUBLE DECK

