



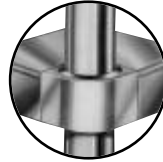
STAINLESS STEEL EQUIPMENT STANDS



Item #: _____ Qty #: _____

Model #: _____

Project #: _____



Featuring as Standard:
"THE PROVEN"
ORIGINAL ADVANCE TABCO
**Adjustable Undershelf
with Die Cast Leg Clamp**

FEATURES: (as it applies)

TOP is furnished with 1" hemmed edge splash on rear and both sides. Front edge is a die formed No-Drip V-Edge.

Aluminum die cast "leg to shelf" clamp secures shelf to leg eliminating unsightly nuts and bolts.

Undershelf is adjustable.

CONSTRUCTION:

All TIG welded. Exposed weld areas finished to match adjacent surfaces.

Entire Top is mechanically polished to a satin finish and is sound deadened.

Roll formed embossed galvanized hat channels are secured to top by means of structural adhesive and weld studs.

Gussets welded to support hat sections.

MATERIAL:

ES-Series Stainless Steel Base

TOP is 14 gauge stainless steel type "304" series with galvanized understructure.

SHELF is 18 gauge stainless steel.

LEGS are 1 5/8" diameter heavy gauge tubular stainless steel with stainless steel gussets and 1" adjustable stainless steel bullet feet.

EG-Series Galvanized Base

TOP is 14 gauge stainless steel type "304 series with galvanized understructure.

SHELF is 18 gauge galvanized steel.

LEGS are 1 5/8" diameter tubular galvanized steel with galvanized steel gussets and 1" adjustable plastic bullet feet.

OPTIONAL:

Laminated Hardwood Cutting Board is secured to stainless steel channels. Channels are welded to a stainless steel one-piece L-shaped tubular support which in turn is welded to a stainless steel sliding collar for height adjustments.

18 Gauge stainless steel Plate Shelf secured to stainless steel gusset and attached to stainless steel sliding collar for height adjustment.

STAINLESS STEEL GALVANIZED

L	24" Wide	Wt.	30" Wide	Wt.	24" Wide	Wt.	30" Wide	Wt.
24"	ES-242	45 lbs.	ES-302	51 lbs.	EG-242	45 lbs.	EG-302	51 lbs.
36"	ES-243	60 lbs.	ES-303	68 lbs.	EG-243	60 lbs.	EG-303	68 lbs.
48"	ES-244	77 lbs.	ES-304	85 lbs.	EG-244	77 lbs.	EG-304	85 lbs.
60"	ES-245	86 lbs.	ES-305	102 lbs.	EG-245	86 lbs.	EG-305	102 lbs.
72"	ES-246	104 lbs.	ES-306	119 lbs.	EG-246	104 lbs.	EG-306	119 lbs.
84"	ES-247	112 lbs.	ES-307	142 lbs.	EG-247	112 lbs.	EG-307	142 lbs.
96"	ES-248	137 lbs.	ES-308	164 lbs.	EG-248	137 lbs.	EG-308	164 lbs.

OPTIONAL ACCESSORIES

Wood Cutting Board

Plate Shelf

Length	Model #	Wt.	Model #	Wt.
24"	TA-922	28 lbs.	TA-962	22 lbs.
36"	TA-923	30 lbs.	TA-963	24 lbs.
48"	TA-924	34 lbs.	TA-964	27 lbs.
60"	TA-925	37 lbs.	TA-965	31 lbs.
72"	TA-926	40 lbs.	TA-966	40 lbs.
84"	TA-927	56 lbs.	TA-967	50 lbs.
96"	TA-928	64 lbs.	TA-968	57 lbs.



Customer Service Available To Assist You **1-800-645-3166** 8:30 am - 8:00 pm E.S.T.

Email Orders To: customer@advancetabco.com. For Smart Fabrication™ Quotes, Email To: smartfab@advancetabco.com or Fax To: 631-586-2933

NEW YORK
Fax: (631) 242-6900

GEORGIA
Fax: (770) 775-5625

TEXAS
Fax: (972) 932-4795

NEVADA
Fax: (775) 972-1578

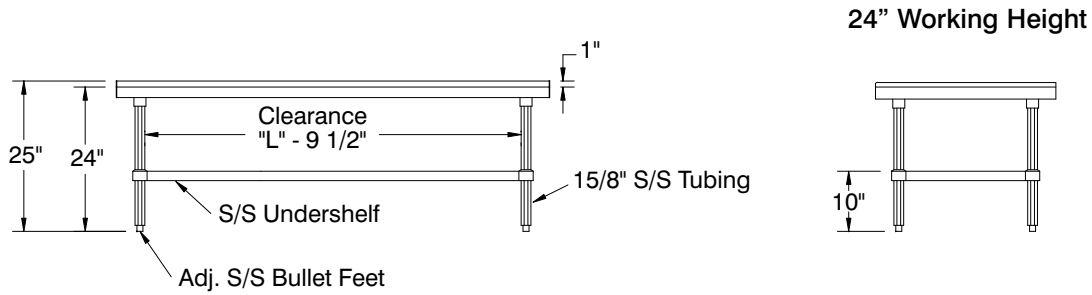
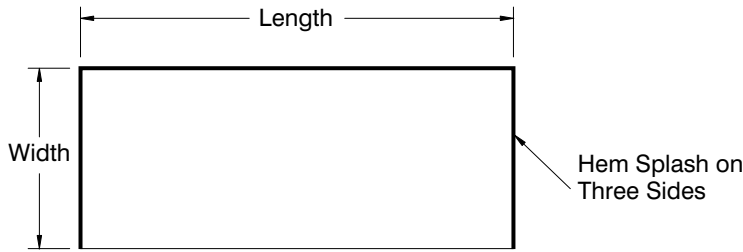
DETAILS and SPECIFICATIONS

TOL ± .500"

ALL DIMENSIONS ARE TYPICAL

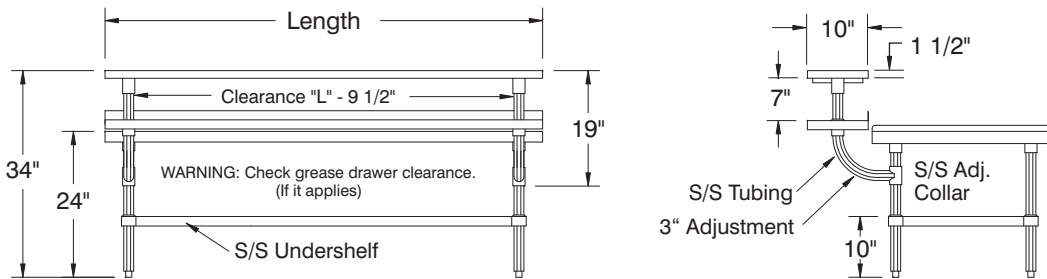
7 ft. units and longer are furnished with six (6) legs.

Maximum Total Load = 1000 lbs.



with Plate Shelf & Cutting Board

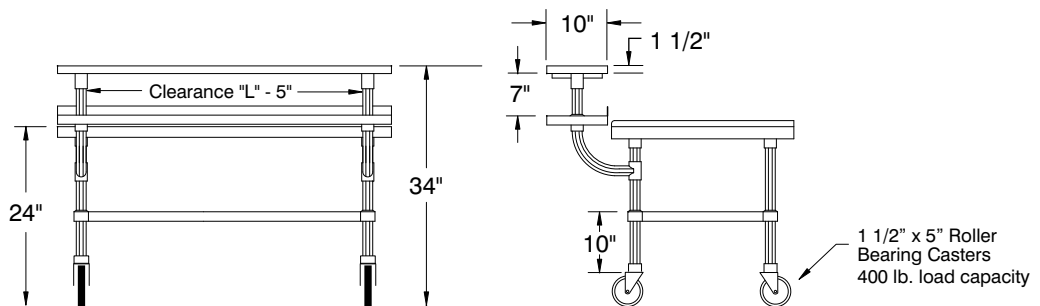
Maximum Load Weight for Plate Shelf is 25 lbs.



Mobile Unit

Optional X.H.D. Casters

- TA-255 Set of 4
- TA-256 Set of 6
- Each Set supplied with 2 brakes.



ADVANCE TABCO is constantly engaged in a program of improving our products. Therefore, we reserve the right to change specifications without prior notice.