



Job Name \_\_\_\_\_

Item # \_\_\_\_\_

# FOOD SERVICE EQUIPMENT

Spec Sheet No. TR-14

## Gas w/ Open Base

- o HF-2G-NAT-BS
- o HF-3G-NAT-BS
- o HF-4G-NAT-BS
- o HF-5G-NAT-BS
- o HF-2G-LP-BS
- o HF-3G-LP-BS
- o HF-4G-LP-BS
- o HF-5G-LP-BS

### Stainless Steel Well Models

- o HF-2G-NAT-BS-SS
- o HF-3G-NAT-BS-SS
- o HF-4G-NAT-BS-SS
- o HF-5G-NAT-BS-SS
- o HF-2G-LP-BS-SS
- o HF-3G-LP-BS-SS
- o HF-4G-LP-BS-SS
- o HF-5G-LP-BS-SS

### Accessories:

- o Portable Kit -LP Only (5"casters, 2 locking & push handle) - Add Prefix **P-**
- o Solid tray Shelf - Models **TTS-(2-5)**
- o Tubular Tray Rail - Models **TTR-(2-5)**
- o Dish Shelf Add-On(mount under tray shelf)- Models **TDS-(2-5)**
- o Stainless End Shelf - Model **BES-2**
- o Double or Single Overshelf - Models **TOS-(2-5) & STOS-(2-5)**
- o Buffet Shelf - Model **TBS-(2-5)**
- o Serving Shelf - Model **TSS-(2-5)**
- o Aluminum Spillage Pans - Model **SP-A**
- o Stainless Steel Spillage Pans - Model **SP-S**



PHF-5G-LP-BS Shown.

## Specifications

**TOP:** 20 gauge #302 stainless steel with die stamped pan openings. (11.875" x 20.062")

**BODY:** 22 gauge #430 stainless steel.

**LEGS:** 18 gauge #302 stainless steel with fully adjustable non marking tip.

**CABINET:** 22 gauge #430 stainless steel.

**CUTTING BOARD:** 1" thick white thermoplastic.

**CUTTING BOARD BRACKETS:** 16 gauge #302 stainless steel.

**LINING:** 8" deep 22 gauge galv. steel or # 302 stainless steel lining (optional w/ -SS suffix).

## Features

3500 BTU'S per burner

Control knobs with high, medium, and low settings

Pilot indicator openings

Fiberglass insulation between each compartment

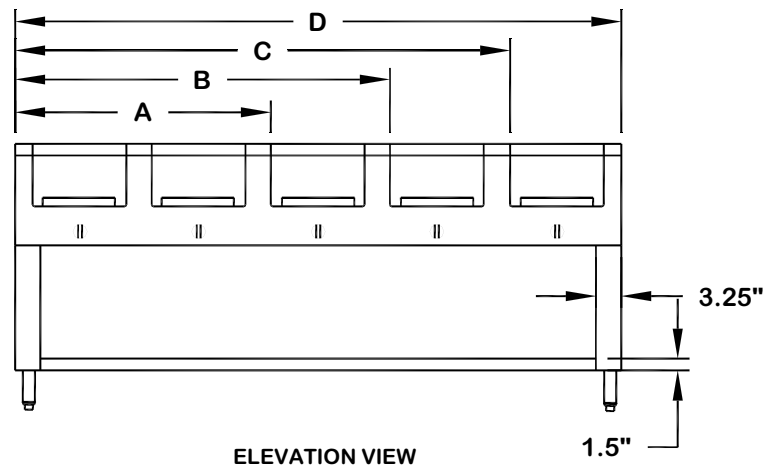
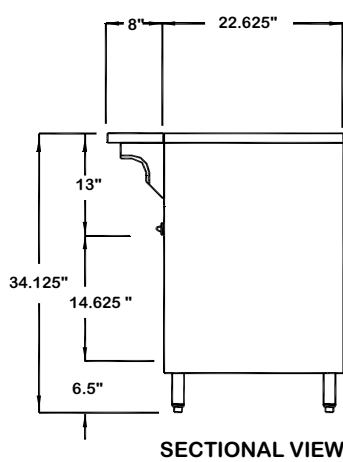
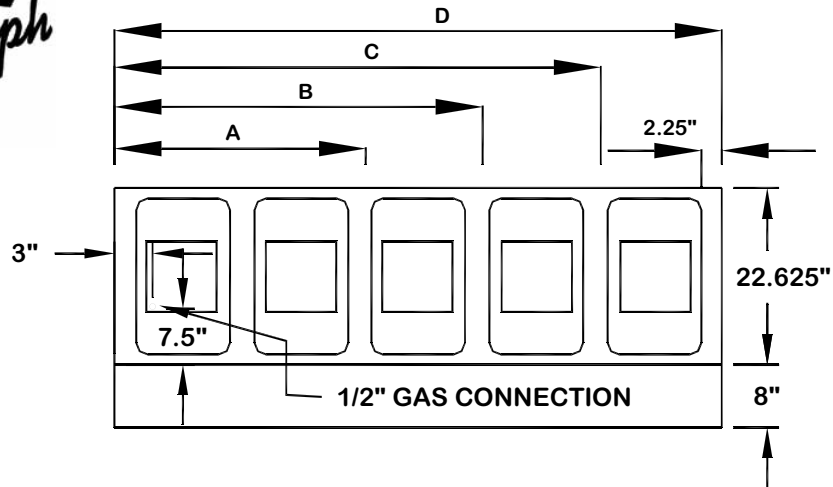


Freight Class 85



3125 Trotters Parkway  
Alpharetta, GA 30004  
www.suprememetal.com

Toll Free: 800-645-2526  
770-740-6000  
Fax: 770-740-6010



All dimensions are the same for the stainless steel wells option.

Model #	Length	# of Wells	Cubic Feet	Weight
HF-2G-NAT-BS	A = 31 <sup>-13/16"</sup>	2	28.1	117
HF-3G-NAT-BS	B = 47 1/8"	3	41.32	145
HF-4G-NAT-BS	C = 62 7/16"	4	54.55	187
HF-5G-NAT-BS	D = 77 3/4"	5	66.94	205
HF-2G-LP-BS	A = 31 <sup>-13/16"</sup>	2	28.1	117
HF-3G-LP-BS	B = 47 1/8"	3	41.32	145
HF-4G-LP-BS	C = 62 7/16"	4	54.55	187
HF-5G-LP-BS	D = 77 3/4"	5	66.94	205

