

PASS-THRU WORKSTATIONS

with Double Deep Drawn Bowls



PR-44X42SP-10-R Shown

Item #: _____ Qty #: _____
 Model #: _____
 Project #: _____

Featuring Deep Drawn Seamless Bowls



15A - 120V Duplex Receptacle Hidden Beneath Blender Shelf



FEATURES:

- Double **Deep Drawn** sink bowls.
- K-124 Deck mounted swing spout faucet
- Insulated ice bin with 10-Circuit cold plate sealed into the bottom of Ice Bin.
- Tubing chase for soda gun
- Blender shelf with duplex outlet hidden underneath shelf.
- Double tier speed rail
- Stainless steel welded cross-braced legs with adjustable stainless steel bullet feet.

SIDE PANEL MODELS (SP Series)

- Side Panels with perforated drainboard shelf.
- Front Apron.
- Supported by side panels and do not require legs.

MATERIAL:

- Sink Bowl, Sides, Ice Bin & Blender Shelf:** 20 gauge, 300 stainless steel
- Front Apron:** 22 gauge, 300 stainless steel
- Speed Rail:** 22 gauge rail, 16 gauge sides, 300 stainless steel
- Cold Plate:** Cast aluminum with 10 circuits sealed into the bottom
- Legs:** 1 5/8" O.D. 18 gauge, stainless steel with adjustable stainless steel bullet feet and welded side cross-bracing
- Insulation:** 2 lb. density foam-in-place

SIDE PANEL MODELS (SP Series)

- Side Panels & Overshelf:** 18 gauge, 300 stainless steel

PLUMBING:

- Faucet:** 4" O.C. K-124 deck mount swing spout faucet
- Faucet meet federal lead free standards**
- Sink Bowl:** 1-1/2" IPS, 3-1/2" basket drain
- Ice Bin:** 1/2" IPS drain

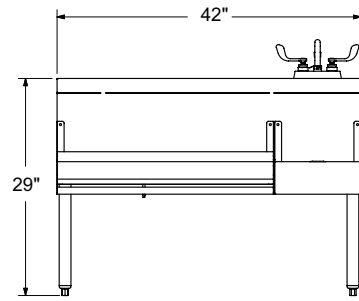
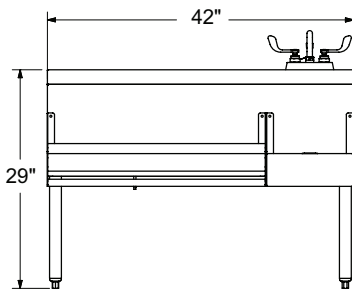
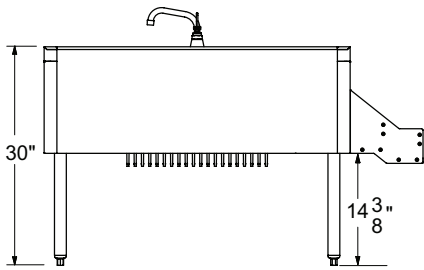
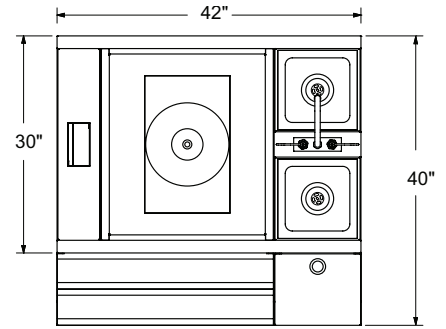
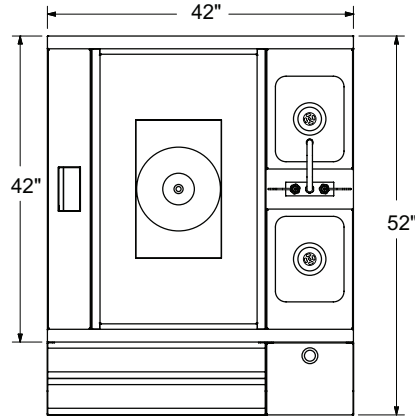
Model #	O.A. Length	Sink Bowl Size	Ice Bin Location	Ice Capacity	Approx. Weight	Approx. Cu. Ft.
PR-42X30-10-L	42"	9" x 9" x 4"	Left	70 lbs.	250 lbs.	38
PR-42X30-10-R	42"	9" x 9" x 4"	Right	70 lbs.	250 lbs.	38
PR-42X42-10-L	42"	9" x 9" x 4"	Left	174 lbs.	400 lbs.	58
PR-42X42-10-R	42"	9" x 9" x 4"	Right	174 lbs.	400 lbs.	58
SIDE PANELS WITH PERFORATED DRAINBOARD SHELF						
PR-44X30SP-10-L	44"	9" x 9" x 4"	Left	70 lbs.	350 lbs.	59
PR-44X30SP-10-R	44"	9" x 9" x 4"	Right	70 lbs.	350 lbs.	59
PR-44X42SP-10-L	44"	9" x 9" x 4"	Left	174 lbs.	575 lbs.	59
PR-44X42SP-10-R	44"	9" x 9" x 4"	Right	174 lbs.	575 lbs.	88

NOTE: To determine left or right hand model, Ice Bin is either **Left (L)** or **Right (R)** of the sink from the bartender side.

DIMENSIONS and SPECIFICATIONS

TOL Overall: ± .500" Interior: ± .250"

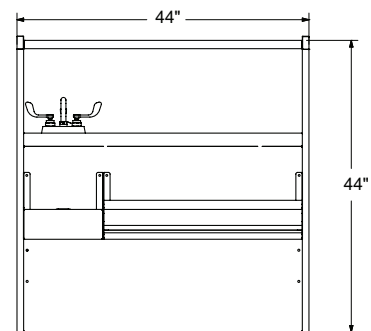
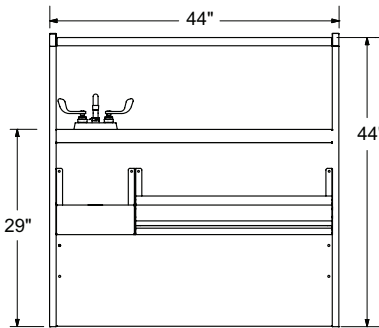
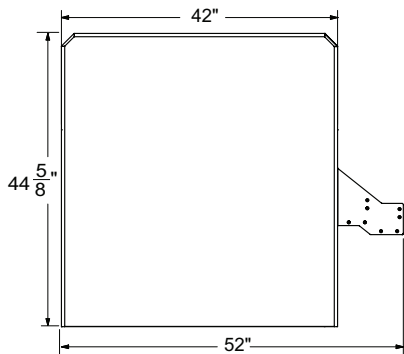
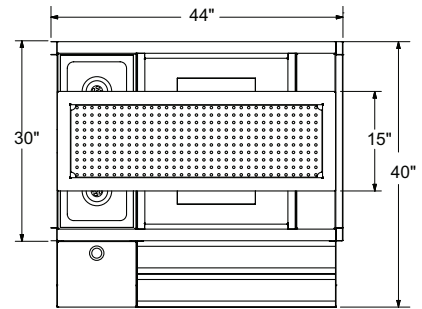
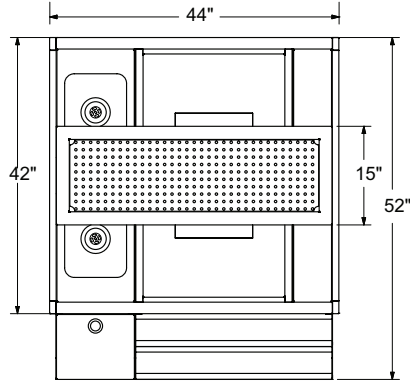
ALL DIMENSIONS ARE TYPICAL



Side View for PR-42X42-10 & PR-42X30-10

PR-42X42-10-R Series Shown

PR-42X30-10-R Series Shown



Side View for PR-44X42SP-10 and PR-42X30SP-10

PR-44X42SP-10-R Series Shown

PR-44X30SP-10-R Series Shown



ADVANCE TABCO is constantly engaged in a program of improving our products. Therefore, we reserve the right to change specifications without prior notice.