



Prestige

All Stainless Steel Drainboards With Base 24" and 29" Wide Units



Open Base



With Lift-Off
Hinged Doors

Item #: _____ Qty #: _____
 Model #: _____
 Project #: _____

FEATURES:

Sturdy base cabinet, with or without doors.
 Embossed and seamless drainboard with drain in back right corner.
 Undercoated to diminish sound.
 Models with doors feature stainless steel doors with lift-off hinges.
 7" backsplash.

MECHANICAL:

1" IPS drain

MATERIAL:

20 gauge, 300 stainless steel

Drainboard: 18 gauge, 300 stainless steel

Legs: 14 gauge, 300 stainless steel mounting bracket with 18 gauge 1 5/8" O.D. with 1" adjustable stainless steel bullet feet

OPTIONAL:

PRA-LOCK - Add a door lock

TO ADD A MID-SHELF IN DRAINBOARD BASE
 Add an "-M" after the model number.
 (For example, PRSCO-19-18 would read PRSCO-19-18-M)

19" WIDE Model #	Approx. Weight	Approx. Cu. Ft.	24" WIDE Model #	Approx. Weight	Approx. Cu. Ft.	O.A. Length (A)	Dist. To Drain (B)	Opening In Front (C)	Inside Cabinet L x W x H
PRSCO-19-18	55 lbs.	12	PRSCO-24-18	62 lbs.	15	18"	15"	14"	14" x 22" x 19 1/2"
PRSCO-19-24	62 lbs.	12	PRSCO-24-24	69 lbs.	15	24"	21"	20"	20" x 22" x 19 1/2"
PRSCO-19-30	69 lbs.	15	PRSCO-24-30	76 lbs.	18	30"	27"	26"	26" x 22" x 19 1/2"
PRSCO-19-36	75 lbs.	18	PRSCO-24-36	82 lbs.	22	36"	33"	32"	32" x 22" x 19 1/2"
PRSCO-19-42	80 lbs.	21	PRSCO-24-42	90 lbs.	28	42"	39"	38"	38" x 22" x 19 1/2"
PRSCO-19-48	85 lbs.	24	PRSCO-24-48	92 lbs.	30	48"	45"	44"	44" x 22" x 19 1/2"

Cabinet Base With Hinged Doors

PRSCD-19-18	65 lbs.	12	PRSCD-24-18	72 lbs.	15	18"	15"	14"	14" x 22" x 19 1/2"
PRSCD-19-24	72 lbs.	12	PRSCD-24-24	79 lbs.	15	24"	21"	20"	20" x 22" x 19 1/2"
PRSCD-19-30	79 lbs.	15	PRSCD-24-30	85 lbs.	18	30"	27"	26"	26" x 22" x 19 1/2"
PRSCD-19-36	85 lbs.	18	PRSCD-24-36	92 lbs.	22	36"	33"	32"	32" x 22" x 19 1/2"
PRSCD-19-42	90 lbs.	21	PRSCD-24-42	98 lbs.	28	42"	39"	38"	38" x 22" x 19 1/2"
PRSCD-19-48	95 lbs.	24	PRSCD-24-48	102 lbs.	30	48"	45"	44"	44" x 22" x 19 1/2"



Customer Service Available To Assist You 1-800-645-3166 8:30 am - 8:00 pm E.S.T.

For Orders & Customer Service:
 Email: customer@advancetabco.com or Fax: 631-242-6900

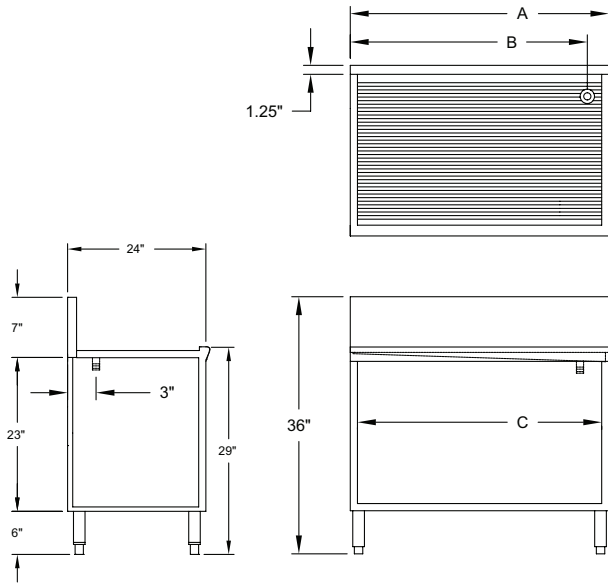
For Smart Fabrication™ Quotes:
 Email: smartfab@advancetabco.com or Fax: 631-586-2933

DIMENSIONS and SPECIFICATIONS

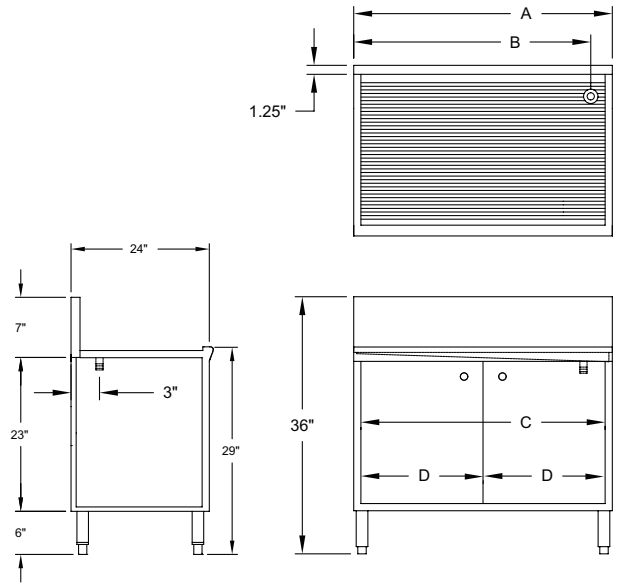
TOL Overall: $\pm .500"$ Interior: $\pm .250"$

ALL DIMENSIONS ARE TYPICAL

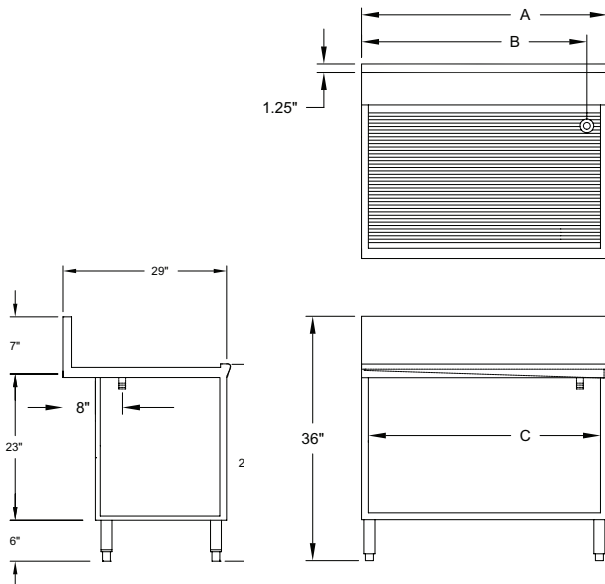
PRSCO-19 Series



PRSCD-19 Series



PRSCO-24 Series



PRSCD-24 Series

