

# Underbar Hand Sink w/ Soap/Towel Dispensers

## 21" Wide Units - Deep Drawn Bowl



**SC-15-TS-L**  
Shown

*Free Standing Unit  
Features  
Cross-Braced Legs*



**SC-15-TS-S**  
Shown

*Free Standing Unit  
Features Side Splashes  
& Cross-Braced Legs*

Item #: \_\_\_\_\_ Qty #: \_\_\_\_\_

Model #: \_\_\_\_\_

Project #: \_\_\_\_\_

**Featuring Deep Drawn  
Seamless Bowl**



**FEATURES:**

Free standing unit.

One piece **Deep Drawn** sink bowl measuring 9 1/2" x 11 1/2" x 6".

Built-in deck mount soap dispenser and c-fold towel dispenser.

6" deck mounted faucet.

4" backsplash.

Stainless steel side splashes (-S models only).

Black powder coated cross-braced legs with adjustable black plastic bullet feet.

**MECHANICAL:**

4" O.C., 6" deck mt. swing spout faucet

**Faucet meets federal lead free standards.**

1 1/2" IPS drain with 3 1/2" basket

**MATERIAL:**

**Sink Bowl & Sides:** 20 gauge, 300 stainless steel

**Front Apron, Door, Backsplash:** 22 gauge, 300 stainless steel

**Optional Side Splash:** 16 gauge, 300 stainless steel

**Legs:** Black powder coated 1 5/8" O.D. 18 gauge, galvanized steel with adjustable black plastic bullet feet

**OPTIONAL:**

**A-90** - Replacement deck mount soap dispenser

**K-316-LU** - Add wrist handles

**SU-10** - Upgrade to stainless steel legs and bullet feet

**Standard**

Model #	O.A. Length (A)	Approx. Weight	Approx. Cu. Ft.
SC-12-TS-L	12"	45 lbs.	4
SC-15-TS-L	15"	49 lbs.	4

**w/ Side Splashes**

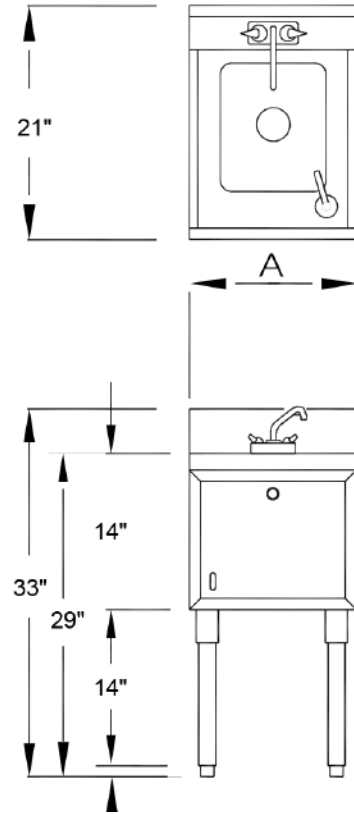
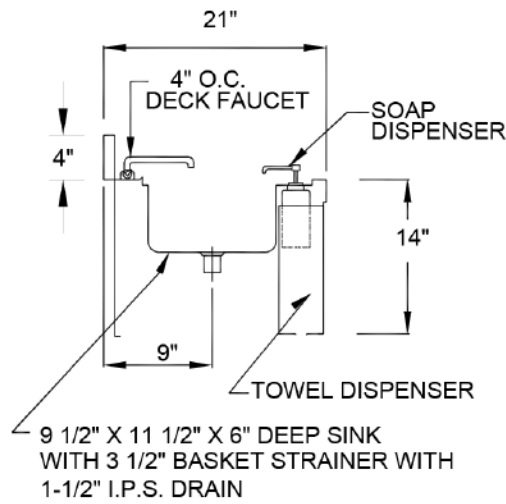
Model #	O.A. Length (A)	Approx. Weight	Approx. Cu. Ft.
SC-12-TS-S	12"	50 lbs.	4
SC-15-TS-S	15"	54 lbs.	4

# DIMENSIONS and SPECIFICATIONS

TOL Overall: ± .500" Interior: ± .250"

ALL DIMENSIONS ARE TYPICAL

## -L Models



## -S Models

