



Front Load



Side Load

Item #: _____ **Qty #:** _____
Model #: _____
Project #: _____

FEATURES:

- Curved top design.
- Heavy duty welded construction with 6 cross supports.
- Nickel chrome plated steel wire.
- Heavy duty 5" stem bolted casters.
- 500 lb. capacity.

CONSTRUCTION:

- Fully welded 1" square tubing ladder assembly.
- Angles are 1" x 1 1/2" x 20" on front load pan rack and 1" x 1 1/2" x 17 3/4" on side load pan rack.

MATERIAL:

- 6063-T52 extruded aluminum angles, upright tubing, and support pieces.
- Nickel chrome plated steel wire.

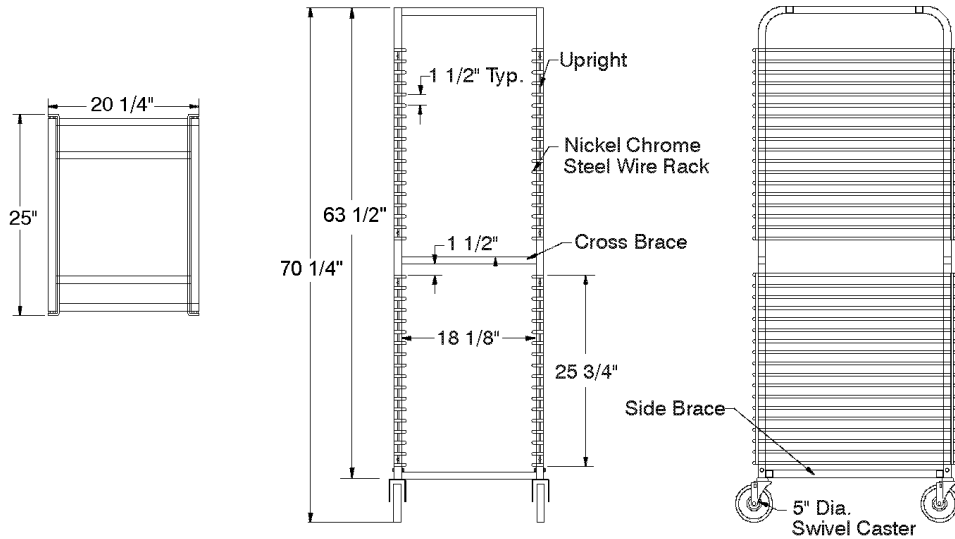
MODEL #	Description	Pan Capacity	Shelf Spacing	Overall Size L x W x H	Weight
WR-36	Front Load	36	1 1/2"	20 1/4" x 25" x 70 1/4"	72 lbs.
WR-36S	Side Load	36	1 1/2"	28 1/4" x 19 1/8" x 70 1/4"	64 lbs.

DIMENSIONS and SPECIFICATIONS

TOL \pm .500"

ALL DIMENSIONS ARE TYPICAL

Front Load



Side Load

