



20•20MW, 20•20W

COMPANION HOLDING CABINET



MODEL 20•20MW



MODEL 20•20W

CABINETES SHOWN WITH RIGHT-HAND DOOR AND OPTIONAL PAN TROLLEY



• HALO HEAT . . . a controlled, uniform heat source that gently surrounds food to provide a better appearance, taste, and longer holding life.

- Uses one-third to one-half the energy of conventional holding equipment.
- Motionless air inside cabinet prevents transfer of flavors, retains more product moisture, and preserves color.
- Close temperature tolerance, along with even heat distribution, maintains an ideal serving temperature throughout the cabinet.
- Available in a stationary or mobile cabinet design.
- Optional Roll-In Pan Cart (trolley) is designed for maximum capacity and is completely interchangeable with the Combitherm® CombiOven electric model 20•20es, or gas model 20•20esG, and the Alto-Shaam Quickchiller™ QC2-100.

Insulated Halo Heat companion holding cabinet features 20 gauge stainless steel construction. The cabinet is controlled with one (1) ON/OFF power switch and an adjustable, electronic thermostat which includes a heat indicator light, temperature set button, and temperature increase and decrease buttons. The thermostat has a range of 60° to 205°F (16° to 96°C) and includes a digital display indicating the air temperature within the cabinet. The door has a heavy duty rotary handle with standard left-hand hinging.

Optional Roll-In Pan Cart (trolley) features removable handle, pan support rails to hold twenty-four (24) full-size pans, and six (6) stainless steel wire shelves for sheet pans. Cart includes two (2) rigid casters and two (2) swivel casters with brake.

- MODEL 20•20MW:** Mobile holding cabinet supported by four (4) heavy duty casters
- MODEL 20•20W:** Stationary holding cabinet supported by four (4) heavy equipment legs



ANSI/NSF 4



FACTORY INSTALLED OPTIONS

- Electrical Choices
 - 208-240V
 - 230V
- Door Choices
 - Left-hand swing, standard
 - Right-hand swing, optional



MODEL 20•20MW WITH OPTIONAL ROLL-IN PAN CART



OPTIONAL ROLL-IN PAN CART



OPTIONAL ROLL-IN PLATE CART



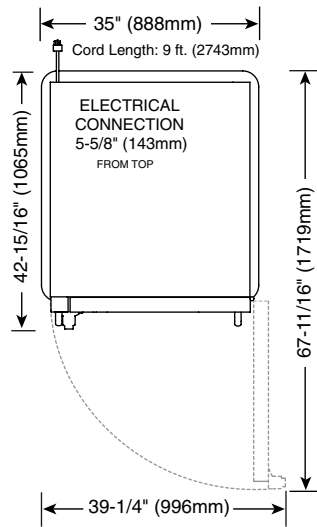
W164 N9221 Water Street • P.O. Box 450 • Menomonee Falls, Wisconsin 53052-0450 • U.S.A.

PHONE: 262.251.3800 800.558.8744 U.S.A./CANADA FAX: 262.251.7067 800.329.8744 U.S.A. ONLY


www.alto-shaam.com

20•20MW, 20•20W

COMPANION HOLDING CABINET

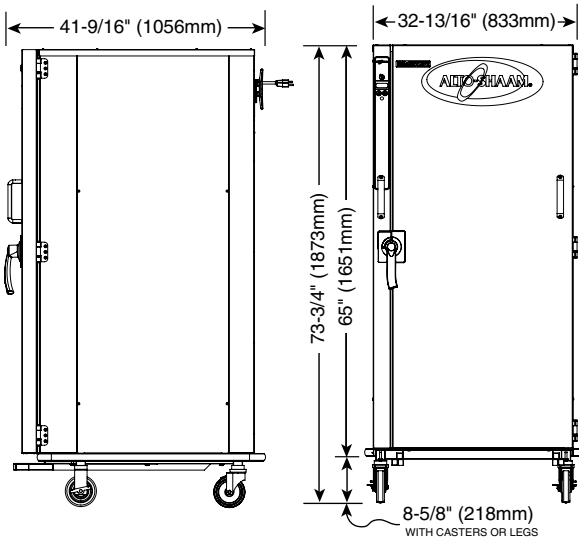


DIMENSIONS: (H x W x D)	
EXTERIOR:	73-3/4" x 35" x 41-9/16" (1873mm x 888mm x 1056mm)
INTERIOR:	59-1/4" x 25-5/16" x 33-45/16" (1505mm x 642mm x 861mm)

ELECTRICAL						
VOLTAGE	PHASE	CYCLE/HZ	AMPS	kW		CORD & PLUG
208	1	50/60	13.9	2.9		NEMA 6-20P
240	1	50/60	16.0	3.8		20A-250V Plug
230	1	50/60	15.3	3.5		NO CORD OR PLUG

PRODUCT/PAN CAPACITY	
480 lbs (218 kg) MAXIMUM	
VOLUME MAXIMUM: 300 QUARTS (284 LITERS)	
OPTIONAL ROLL-IN PAN CART:	
FULL-SIZE PANS: Forty (40) 20" x 12" x 2-1/2" MAXIMUM	
GN 1/1: Forty (40) (530mm x 325mm x 65mm)	
GN 2/1: Twenty (20) (650mm x 530mm x 65mm)	
FULL-SIZE SHEET PANS: Ten (10) 18" x 26" x 1"	
Twenty (20) with added shelves	

OPTIONS & ACCESSORIES	
<input type="checkbox"/> Preheat Sealing Strip	5007925
<input type="checkbox"/> Roll-In Pan Cart (fits 20•20ES, 20•20ESG & QC2-100)	UN-27970
66-1/6" x 28-15/16" x 35-3/16" (1678mm x 734mm x 892mm)	
TEN (10) STAINLESS STEEL WIRE SHELVES	
TWENTY (20) PAN SUPPORT RAIL POSITIONS	
2-5/8" (67mm) VERTICAL SPACING BETWEEN RAILS	
21-3/16" (538mm) HORIZONTAL WIDTH BETWEEN RAILS	
<input type="checkbox"/> Roll-In Plate Cart (fits 20•20ES, 20•20ESG & QC2-100)	UN-27971
65-7/8" x 28-15/16" x 39-7/8" (1674mm x 734mm x 1012mm)	
2-11/16" (69mm) SPACING	
HOLDS 108 10-12" (254-305mm) DIAMETER PLATES	
<input type="checkbox"/> Roll-In Plate Cart (fits 20•20ES, 20•20ESG & QC2-100)	UN-28311
65-7/8" x 28-15/16" x 39-7/8" (1674mm x 734mm x 1012mm)	
3-1/2" (89mm) SPACING	
HOLDS 78 10-12" (254-305mm) DIAMETER PLATES	
<input type="checkbox"/> Shelf, Stainless Steel Wire	SH-22473
25-1/8" (638mm) x 20-7/8" (529mm)	



WEIGHT	
NET	378 lb (171mm)
SHIP	513 lb (233 kg)
CARTON DIMENSIONS: (L x W x H)	
53" x 53" x 87"	
(1364mm x 1364mm x 2210mm)	

INSTALLATION REQUIREMENTS	
Cabinet must be installed level. It must not be installed in any area where it may be affected by steam, grease, dripping water, high temperatures, or any other severely adverse conditions.	

CLEARANCE REQUIREMENTS	
BACK	3" (76mm)
TOP	2" (51mm)
EACH SIDE	1" (25mm)