

500-PH/GD

HOT PIZZA HOLDING CABINET



• HALO HEAT . . . a controlled, uniform heat source that gently surrounds food to provide a better appearance, taste, and longer holding life.

- Close temperature tolerance and even heat application maintain ideal serving temperatures throughout the cabinet.
- Low energy usage.
- Holds pizza, hot hors d'oeuvres or pie, hot, fresh and flavorful up to several hours.
- Perfect for in-house pizza and customer carry-outs.
- Holds up to thirteen 16-inch (406mm) pizzas.
- Holding temperature gauge monitors inside air temperature.
- Carrying handles for easy handling.

Single compartment cabinet has one (1) ON/OFF adjustable thermostat, 60° to 200°F (16° to 93°C); one (1) indicator light; and one (1) holding temperature gauge to monitor inside air temperature. Included are thirteen (13) chrome plated wire shelves with 2" (51mm) shelf spacing. Exterior cabinet has four (4) stainless steel carrying handles.

MODEL 500-PH/GD: Exterior cabinet of 20 gauge stainless steel exterior with glass door.



FACTORY INSTALLED OPTIONS

- Electrical Choices
 - 120V
 - 230V
- Door Choices
 - Window Door, standard
 - Solid Door, optional
- Door Swing
 - Right-hand swing, standard
 - Left-hand swing, optional

ADDITIONAL FEATURES

- Caster stand assembly available.
- Leg stand assembly available.



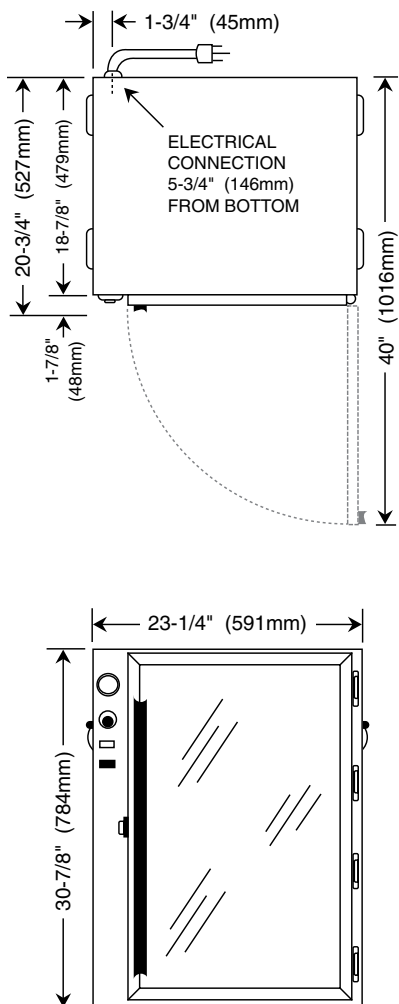
W164 N9221 Water Street • P.O. Box 450 • Menomonee Falls, Wisconsin 53052-0450 • U.S.A.

PHONE: 262.251.3800 800.558.8744 U.S.A./CANADA FAX: 262.251.7067 800.329.8744 U.S.A. ONLY

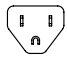

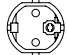
www.alto-shaam.com

500-PH/GD

HOT PIZZA HOLDING CABINET



| DIMENSIONS: H x W x D | |
|------------------------------|---|
| EXTERIOR: | 30-7/8" x 23-1/4" x 20-3/4" (784mm x 591mm x 527mm) |
| INTERIOR: | 27-7/8" x 17-3/8" x 17-1/2" (708mm x 441mm x 445mm) |

| ELECTRICAL | | | | | | |
|-------------------|-------|----------|------|------|--|---|
| VOLTAGE | PHASE | CYCLE/HZ | AMPS | kW | | |
| 120 | 1 | 50/60 | 8.3 | 1.00 |  | NEMA 5-15P, 15A-125V PLUG |
| 230 | 1 | 50/60 | 4.1 | 0.95 |   | NEMA 6-15P, 15A-250V PLUG (USA ONLY) CEE 7/7, 220-230V PLUG |

| PRODUCT CAPACITY |
|---|
| MAXIMUM: Thirteen (13) 16" (406mm) PIZZAS |
| MAXIMUM WEIGHT EACH PIZZA: 2 lbs. (.9kg) |

| INSTALLATION REQUIREMENTS | |
|---|--|
| Appliance must be installed level. It must not be installed in any area where it may be affected by steam, grease, dripping water, high temperatures, or any other severely adverse conditions. | |

| WEIGHT | |
|--|---------------|
| NET | 76 lb (34kg) |
| SHIP | 132 lb (60kg) |
| CARTON DIMENSIONS: (L x W x H) | |
| 32" x 32" x 41" (813mm x 813mm x 1041mm) | |

| CLEARANCE REQUIREMENTS | |
|-------------------------------|-----------|
| BACK | 3" (76mm) |
| TOP | 2" (51mm) |
| EACH SIDE | 1" (25mm) |

| OPTIONS & ACCESSORIES | |
|--|---------|
| <input type="checkbox"/> Caster Stand Assembly | 15633 |
| <input type="checkbox"/> Leg Stand Assembly | 15634 |
| <input type="checkbox"/> Shelf, Chrome plate, Wire | SH-2102 |