

## AR-7H

### HOT HOLDING ROTISSERIE COMPANION



PASS-THROUGH  
OPTION SHOWN



- HALO HEAT... a controlled, uniform heat source that gently surrounds foods for better appearance, taste, and longer holding life.
- Smart styling, advanced design.
- Adjustable thermostat and temperature gauge monitor inside air temperature.
- Solid state electronic control option simplifies temperature setting, has a clear, easy-to-read LED display, and is adjustable in increments of 1 degree.
- Stackable with an identical holding cabinet or matching rotisserie oven.
- Solid stainless steel back prevents further heat loss.

Reach-in companion holding cabinet with non-magnetic stainless steel construction throughout. The cabinet is controlled by one (1) ON/OFF power switch, one (1) adjustable thermostat, 60° to 200°F (16° to 93°C); includes one (1) indicator light; and one (1) holding temperature gauge to monitor inside air temperature. The compartment is equipped with four (4) 60 watt bulbs, four (4) stainless steel wire shelves, two (2) stainless steel side racks, and sixteen (16) non-tilt pan support rails spaced at 2-15/16" (75mm) centers. Low-e glass door and magnetic latch is hinged right, with one (1) rugged, easy-grip, curved handle. One (1) set of 5" (127mm) heavy duty casters—two (2) rigid and two (2) swivel with brake—are included.

Electronic control includes a 4-digit LED display, ON/OFF key, up and down arrow keys for temperature adjustment, and miscellaneous indicator lights for operational status. The control has a built-in lock out feature.

**MODEL AR-7H:** Hot Holding Rotisserie Companion

#### FACTORY INSTALLED OPTIONS



ANSI/NSF 4



- Electrical Choices
  - Specify Voltage:
    - 120
    - 208-240
    - 230
- Control Choices
  - Specify control:
    - Electronic
    - Manual
- Panel Color Choices
  - Specify color:
    - Stainless Steel, standard
    - Black, optional
    - Burgundy, optional
- Door Choices
  - Specify Door type:
    - Reach-in, solid back, standard  
Single pane, flat glass door
    - Reach-in, solid back, standard  
Double pane, curved glass door
    - Pass-through, optional  
Single pane, flat glass door
    - Pass-through, optional  
Double pane, curved glass door
- Door Swing Choices
  - Specify door swing:
    - Right-hand, standard
    - Left-hand, optional



W164 N9221 Water Street • P.O. Box 450 • Menomonee Falls, Wisconsin 53052-0450 • U.S.A.

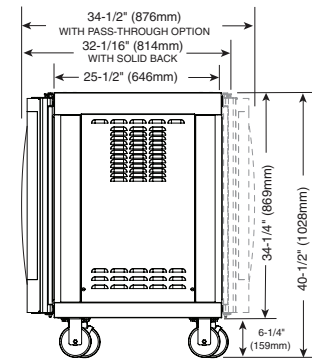
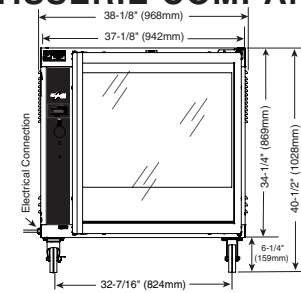
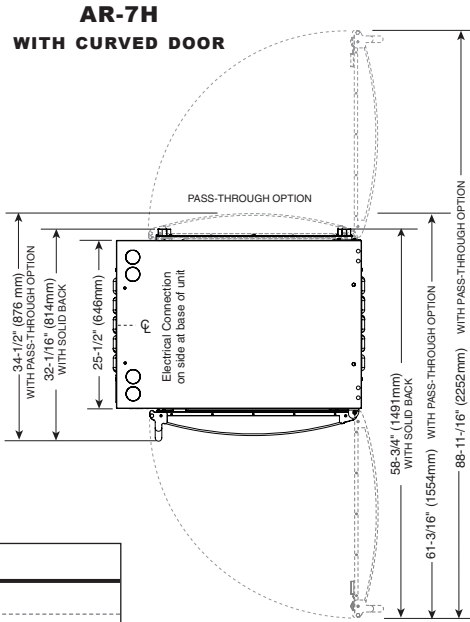
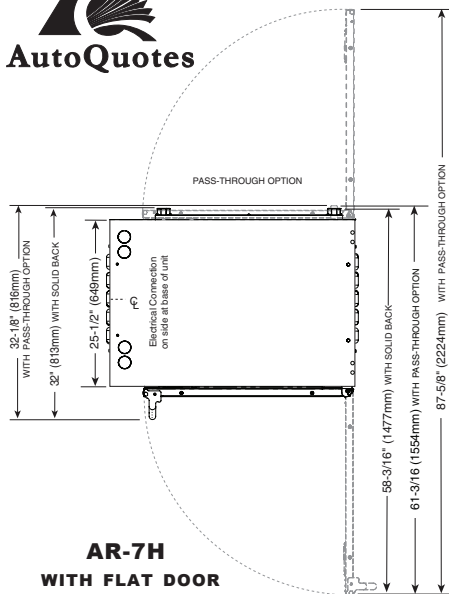
PHONE: 262.251.3800 800.558.8744 U.S.A./CANADA FAX: 262.251.7067 800.329.8744 U.S.A. ONLY

[www.alto-shaam.com](http://www.alto-shaam.com)



# AR-7H

## HOT HOLDING ROTISSERIE COMPANION



PRODUCT/PAN CAPACITY	
60 lbs (27 kg) MAXIMUM	
FULL-SIZE SHEET PANS*: Eight (8) 18" x 26" x 1" (457mm x 660mm x 25mm)	
HALF-SIZE SHEET PANS*: Up to Sixteen (16) 18" x 13" x 1" (457mm x 330mm x 25mm)	
CHICKEN BOATS: Up to 24 (6 per shelf)	
*WITH ADDITIONAL WIRE SHELVES	

ELECTRICAL						
	VOLTAGE	PHASE	CYCLE/HZ	AMPS	KW	
	120	1	60	15.0	1.8	NEMA 5-20P 20A, 125V PLUG
208-240V	AT 208	1	60	8.5	1.8	NEMA 6-15P 15A, 250V PLUG
	AT 240	1	60	9.5	2.3	NEMA 6-15P 15A, 250V PLUG
	230	3	50	9.0	2.1	CEE 7/7 220-230V PLUG

<b>WEIGHT: NET:</b> 269 lb (122 kg) <b>SHIP:</b> 319 lb (145 kg)
<b>CRATED DIMENSIONS:</b> L X W X H 53" x 45" x 45" (1346mm x 1143mm x 1143mm)

### DIMENSIONS: H x W x D

SINGLE PANE, FLAT GLASS	
<b>EXTERIOR:</b> 40-1/2" x 38-1/8" x 32" (1028mm x 968mm x 813mm)	<b>PASS-THROUGH EXTERIOR (OPTION):</b> 40-1/2" x 38-1/8" x 32-1/8" (1028mm x 968mm x 816mm)
DOUBLE PANE, CURVED GLASS	
<b>EXTERIOR:</b> 40-1/2" x 38-1/8" x 32-1/16" (1028mm x 968mm x 814mm)	<b>PASS-THROUGH EXTERIOR (OPTION):</b> 40-1/2" x 38-1/8" x 34-1/2" (1028mm x 968mm x 876mm)

CLEARANCE REQUIREMENTS
6" (152mm) left, right, and rear sides

### INSTALLATION REQUIREMENTS

- Appliance must be installed level. It must not be installed in any area where it may be affected by steam, grease, dripping water, high temperatures, or any other severely adverse conditions.
- In order to maintain NSF standards, models must be sealed at bottom by NSF approved sealant, equipped with casters, 4" (102mm) legs for counter models, or 6" (152mm) legs for floor models.

### ACCESSORIES

<input type="checkbox"/> <b>DOOR HANDLE (NON-CONTROL SIDE)</b> HD-26900	<b>STACKING ASSEMBLY</b>
<input type="checkbox"/> <b>LEGS</b>	<input type="checkbox"/> AR-7H OVER AR-7H 5009711
<input type="checkbox"/> LEGS, 6" (152mm) ASSEMBLY 5001414	<input type="checkbox"/> AR-7E OR AR-7EVH (208-240V, 1PH) OVER AR-7H 5008787
<input type="checkbox"/> LEGS, 6" (152mm) ASSEMBLY, FLANGED FEET 5001761	<input type="checkbox"/> AR-7E OR AR-7EVH (208-240V, 3PH) OVER AR-7H 5008948
<input type="checkbox"/> <b>SHELF</b>	<input type="checkbox"/> AR-7E OR AR-7EVH (380-415V) OVER AR-7H 5008922
<input type="checkbox"/> SHELF, CHROME PLATED WIRE SH-2851	<b>STAND, STAINLESS STEEL</b>
<input type="checkbox"/> SHELF, STAINLESS STEEL WIRE SH-24720	<input type="checkbox"/> WITH STORAGE SHELF FR-26550
	<input type="checkbox"/> OPEN (AR-7H OVER 750-S OR 6•10iNes) 5002058