

PRODUCT:

QUANTITY:

ITEM #:

## Designed Smart

- The Countertop Cold Well is portable and provides an economic solution to the cost of in-counter refrigeration.
- Available in 4/3 size.
- Uses R-134a refrigerant.
- Can hold cold food at 34°F to 40°F for extended periods.
- Interior temperature is factory set, but can be field adjusted depending on unit's application.
- Unit has 5/8" recessed legs.
- Compression size 1/6 hp with an optional 5-year warranty available.

## Built Solid

- Stainless steel construction with fully insulated walls.
- Supplied with 6 ft. cord and NEMA 5-15P plug.

## Reliability backed by APW Wyott's Warranty

- APW Wyott Refrigerated Topping Rails are backed by a 1-year parts and labor warranty, including on-site service calls within 50 miles of authorized service technicians.
- Certified by the following agencies:

**Countertop Cold Well**

## APW Wyott Design Features

- Hinged cover
- Holds standard steamable pans
- Energy saving
- Field adjustable temperature

## Options

- COMP-5 5-year compressor warranty

See reverse side for product specifications.

PRODUCT:

QUANTITY:

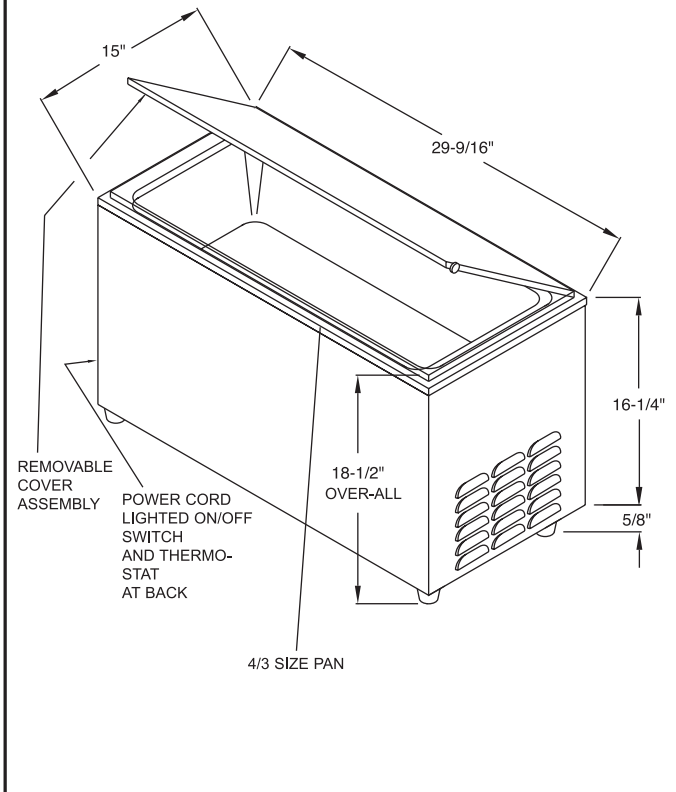
ITEM #:

Model:  CTCW-43

**Countertop Cold Well**

**CTCW - 43**

COUNTER TOP COLD WELL  
120 VOLT 60 HZ 1PH  
3.0 AMPS 1/6 HP  
R-134a REFRIGERANT



**PRODUCT SPECIFICATIONS**

**Construction:**

Stainless steel construction with fully insulated walls. 5/8" legs included.

**Electrical Information:**

Unit is equipped with a 6 ft., 3 wire grounded power cord that terminates with a standard three-pronged male plus. The 120V unit uses a NEMA 5-15P plug.

**Electrical Specifications:**

CTCW-43: 120V, 3Amps, 1/6Hp  
220V, 1.5Amps, 1/6Hp

**Overall Dimensions:**

CTCW-43: 15" W x 29-9/16" L x 18-1/2" H  
(with lid) (38.1 cm x 75.1 cm x 46.4 cm)

**Shipping:**

CTCW-43: 90 lbs. (40.5 kg)  
F.O.B. Cheyenne, WY 82007

\*APW Wyott reserves the right to modify specifications or discontinue models without incurring obligation.