

For Door Heights To 8' (environmental separation)

STANDARD CONSTRUCTION

- 7 1/2" high x 13 3/4" deep
- 1/5 hp ten speed motor(s)
- Factory installed Intelliswitch digital controller
- Clear satin anodized aluminum exterior (Optional: Custom Color or Stainless)
- Wall & Top Mounting
- High efficiency, low noise Pro-V Nozzle

- Open helical element with point suspension
 - Thermal overload protection
 - Galvanized steel frame
- Alternate kW: see sheet EP-202

2 Year Limited Warranty



| MODEL | Nozzle Width (in) | Max Vel. at Nozzle (fpm) | Avg. Outlet Vel. (fpm) | Air Volume (cfm) | Outlet Vel. Uniformity | Power Rating (kW) | Motor(s) @ hp | Max Electric Capacity (kW) | Heater Output (MBH) | Air Temp. Rise (°F) | Net Wt. (lbs) |
|-------------|-------------------|--------------------------|------------------------|------------------|------------------------|-------------------|---------------|----------------------------|---------------------|---------------------|---------------|
| ALC08-1030E | 28.00 | 3,100 | 1,777 | 691 | 89% | 0.18 | 1 @ 1/5 | 7.2 | 24.6 | 33° | 39 |
| ALC08-1036E | 35.25 | 3,600 | 2,116 | 1,036 | 92% | 0.32 | 1 @ 1/5 | 10.0 | 34.1 | 30° | 44 |
| ALC08-1042E | 41.25 | 3,000 | 2,115 | 1,212 | 93% | 0.32 | 1 @ 1/5 | 10.0 | 34.1 | 26° | 49 |
| ALC08-1048E | 47.25 | 2,800 | 2,104 | 1,381 | 94% | 0.32 | 1 @ 1/5 | 14.4 | 49.1 | 33° | 54 |
| ALC08-1060E | 59.00 | 3,100 | 2,053 | 1,682 | 95% | 0.32 | 1 @ 1/5 | 14.4 | 49.1 | 27° | 63 |
| ALC08-1072E | 72.50 | 3,600 | 2,058 | 2,072 | 95% | 0.32 | 1 @ 1/5 | 20.0 | 68.3 | 30° | 70 |
| ALC08-2084E | 84.25 | 3,000 | 2,072 | 2,424 | 93% | 0.64 | 2 @ 1/5 | 20.0 | 68.3 | 26° | 98 |
| ALC08-2096E | 96.25 | 2,800 | 2,066 | 2,762 | 94% | 0.64 | 2 @ 1/5 | 28.8 | 98.3 | 33° | 108 |
| ALC08-2120E | 119.75 | 3,100 | 2,023 | 3,364 | 95% | 0.64 | 2 @ 1/5 | 28.8 | 98.3 | 27° | 126 |

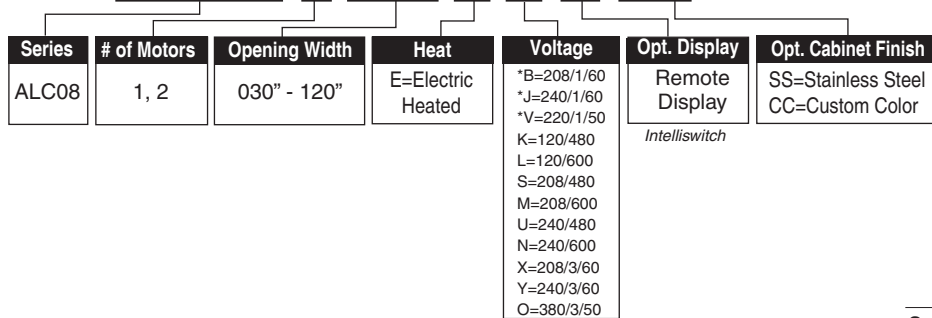
NOTES:

1. Operation at 50 Hz will generate approximately a 17% reduction in performance.
2. Performance data based on unheated units.

See sheet EP-202 for amp draws/total load requirements and alternate kW.

MODEL NUMBER CONFIGURATION

ALC08-1 030 E B-R-SS



*Max 16kW
See sheet EP-202 for available lengths and voltages

Sound level measured 10' (3m) from the unit in free field:
1 motor: Min/Max Speed: 52/54 dBA
2 motors: Min/Max Speed: 55/57 dBA

Berner reserves the right to alter specifications without prior notice.



ARCHITECTURAL LOW PROFILE 8

Electric Air Curtain

Electrical Performance Sheet

| MODEL | *kW option | Temp Rise °F | 208/1/60 (voltage code B) or 220/1/50 (voltage code V) MOTOR AMP DRAW = 1.7 each | | | 240/1/60 (voltage code J) MOTOR AMP DRAW = 1.7 each | | | 208/3/60 (voltage code X) MOTOR AMP DRAW = 1.7 each | | | 240/3/60 (voltage code Y) MOTOR AMP DRAW = 1.7 each | | |
|----------------------------|------------|--------------|--|------------------------------------|----------------------------|--|------------------------------------|----------------------------|--|------------------------------------|----------------------------|--|------------------------------------|----------------------------|
| | | | # CKTS | AMPS PER CIRCUIT (including motor) | BREAKER RATING PER CIRCUIT | # CKTS | AMPS PER CIRCUIT (including motor) | BREAKER RATING PER CIRCUIT | # CKTS | AMPS PER CIRCUIT (including motor) | BREAKER RATING PER CIRCUIT | # CKTS | AMPS PER CIRCUIT (including motor) | BREAKER RATING PER CIRCUIT |
| ALC08-1030E | 7.2 | 24 | 1 | 36.3 | 50 | 1 | 31.7 | 40 | - | N/A | N/A | - | N/A | N/A |
| | - | - | - | N/A | N/A | - | N/A | N/A | - | N/A | N/A | - | N/A | N/A |
| | - | - | - | N/A | N/A | - | N/A | N/A | - | N/A | N/A | - | N/A | N/A |
| ALC08-1036E ALC08-1042E | 10 | 30 | 2 | 25.7/24.0 | 35/30 | 1 | 43.4 | 60 | 1 | 29.5 | 40 | 1 | 25.8 | 35 |
| | 7.5 | 23 | 1 | 37.8 | 50 | 1 | 33.0 | 25 | 1 | 22.5 | 30 | 1 | 19.7 | 25 |
| | 5.6 | 17 | 1 | 28.6 | 40 | 1 | 25.0 | 30 | 1 | 17.2 | 25 | 1 | 15.2 | 20 |
| ALC08-1048E ALC08-1060E | 14.4 | 33 | 2 | 36.3/34.6 | 50/45 | 2 | 31.7/30.0 | 40/40 | 1 | 41.7 | 60 | 1 | 36.3 | 50 |
| | 10.8 | 25 | 2 | 27.7/26.0 | 35/35 | 1 | 46.7 | 60 | 1 | 31.7 | 40 | 1 | 27.7 | 35 |
| | 8.1 | 19 | 1 | 40.6 | 60 | 1 | 33.0 | 45 | 1 | 24.2 | 35 | 1 | 21.2 | 30 |
| ALC08-1072E | 20 | 30 | - | N/A | N/A | 2 | 43.4/41.7 | 60/60 | 2 | 29.5/27.8 | 40/35 | 2 | 25.8/24.1 | 35/35 |
| | 15 | 23 | 2 | 37.8/36.1 | 50/50 | 2 | 33.0/31.3 | 45/40 | 1 | 43.3 | 60 | 1 | 37.8 | 50 |
| | 11.2 | 17 | 2 | 28.6/26.9 | 40/35 | 1 | 46.7 | 60 | 1 | 32.8 | 45 | 1 | 28.6 | 40 |
| ALC08-2084E | 20 | 26 | - | N/A | N/A | - | N/A | N/A | 2 | 31.2/27.8 | 40/35 | 2 | 27.5/24.1 | 35/35 |
| | 15 | 20 | 2 | 39.5/36.1 | 50/50 | 2 | 34.7/31.3 | 45/40 | 1 | 45.0 | 60 | 1 | 39.5 | 50 |
| | 11.2 | 15 | 1 | 30.2/26.9 | 40/35 | 1 | 26.7/23.3 | 35/30 | 1 | 34.5 | 45 | 1 | 30.3 | 40 |
| ALC08-2096E ALC08-2120E | 28.8 | 33 | - | N/A | N/A | - | N/A | N/A | 2 | 43.3/40.0 | 60/50 | 2 | 38.0/34.6 | 50/45 |
| | 21.6 | 25 | - | N/A | N/A | - | N/A | N/A | 2 | 33.4/30.0 | 45/40 | 1 | 29.4/26.0 | 40/35 |
| | 16.2 | 19 | 2 | 42.3/38.9 | 60/50 | 2 | 37.2/33.8 | 50/45 | 1 | 48.4 | 60 | 1 | 42.4 | 60 |



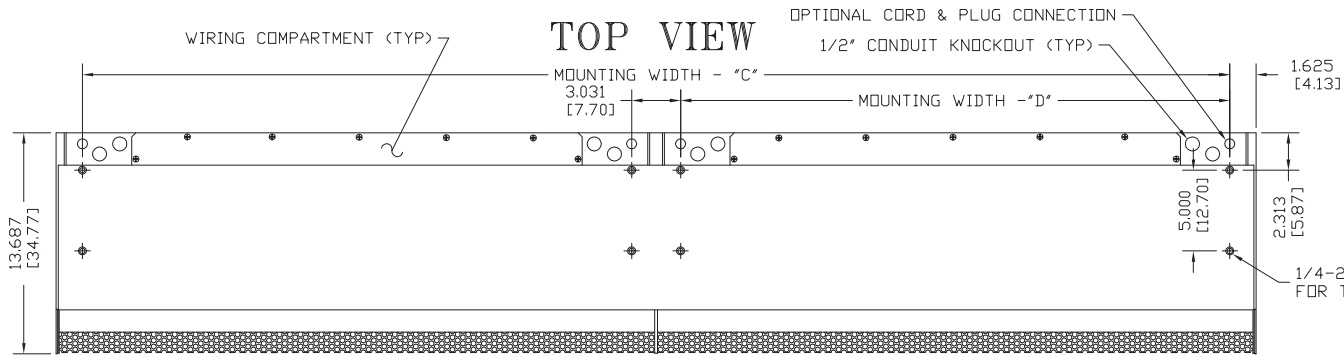
ARCHITECTURAL LOW PROFILE 8

Electric Air Curtain

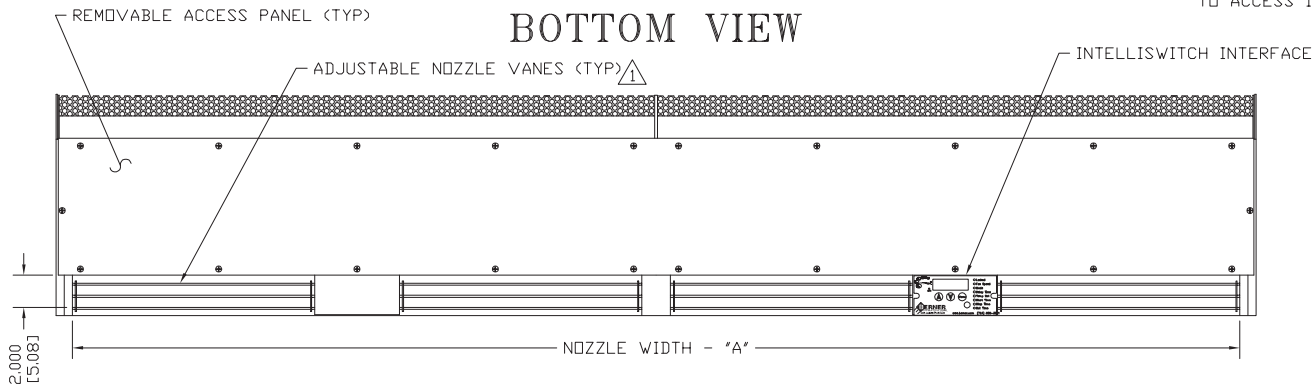
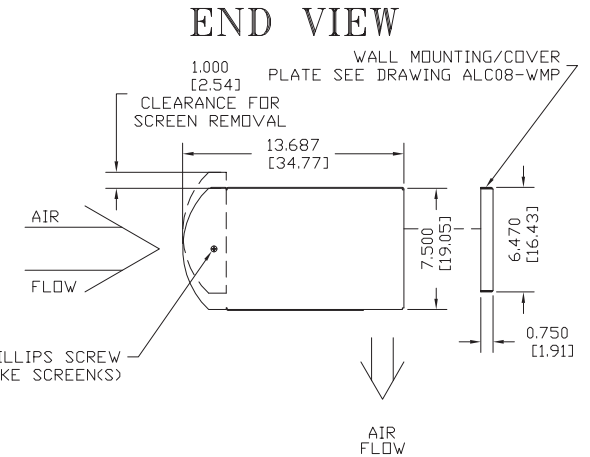
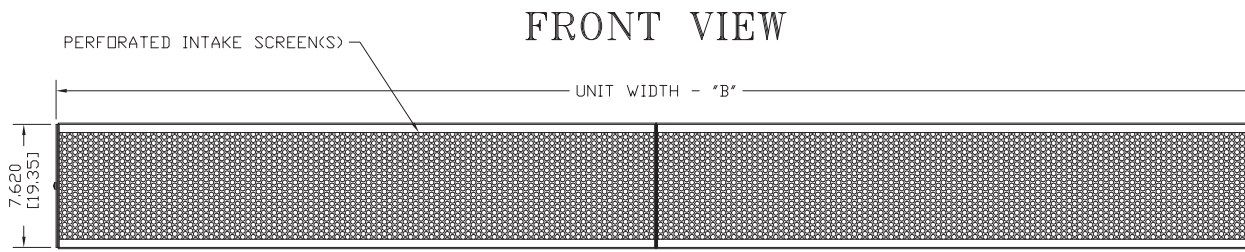
Electrical Performance Sheet

| MODEL | *kW option | Temp Rise °F | 120/1/60 - 480/3/60 (voltage code K) 120V MOTOR AMP DRAW = 3.4 each | | | | 208/1/60 - 480/3/60 (voltage code S) 208V MOTOR AMP DRAW = 1.7 each | | | | 240/1/60 - 480/3/60 (voltage code U) 240V MOTOR AMP DRAW = 1.7 each | | | | 380/3/50 (voltage code O) MOTOR AMP DRAW = 1.7 each | | | | | |
|----------------------------|------------|--------------|--|------------------|--------|----------------------------|--|--------|------------------|--------|--|--------|--------|------------------|--|----------------------------|--------|--------|------------------------------------|----------------------------|
| | | | # CKTS | AMPS PER CIRCUIT | | BREAKER RATING PER CIRCUIT | | # CKTS | AMPS PER CIRCUIT | | BREAKER RATING PER CIRCUIT | | # CKTS | AMPS PER CIRCUIT | | BREAKER RATING PER CIRCUIT | | # CKTS | AMPS PER CIRCUIT (including motor) | BREAKER RATING PER CIRCUIT |
| | | | | 120V/1 | 480V/3 | 120V/1 | 480V/3 | | 208V/1 | 480V/3 | 208V/1 | 480V/3 | | 240V/1 | 480V/3 | 240V/1 | 480V/3 | | | |
| ALC08-1036E ALC08-1042E | 10 | 30 | 2 | 3.4 | 12.0 | 15 | 15 | 2 | 1.7 | 12.0 | 15 | 15 | 2 | 1.7 | 12.0 | 15 | 15 | 1 | 16.9 | 25 |
| | 7.5 | 23 | 2 | 3.4 | 9.0 | 15 | 15 | 2 | 1.7 | 9.0 | 15 | 15 | 2 | 1.7 | 9.0 | 15 | 15 | 1 | 13.1 | 20 |
| | 5.6 | 17 | - | N/A | N/A | N/A | N/A | - | N/A | N/A | N/A | N/A | - | N/A | N/A | N/A | N/A | 1 | 10.2 | 15 |
| ALC08-1048E ALC08-1060E | 14.4 | 33 | 2 | 3.4 | 18.0 | 15 | 25 | 2 | 1.7 | 18.0 | 15 | 25 | 2 | 1.7 | 18.0 | 15 | 25 | 1 | 23.6 | 30 |
| | 10.8 | 25 | 2 | 3.4 | 13.6 | 15 | 20 | 2 | 1.7 | 13.6 | 15 | 20 | 2 | 1.7 | 13.6 | 15 | 20 | 1 | 18.1 | 25 |
| | 8.1 | 19 | - | N/A | N/A | N/A | N/A | - | N/A | N/A | N/A | N/A | - | N/A | N/A | N/A | N/A | 1 | 14.0 | 20 |
| ALC08-1072E | 20 | 30 | 2 | 3.4 | 24.1 | 15 | 35 | 2 | 1.7 | 24.1 | 15 | 35 | 2 | 1.7 | 24.1 | 15 | 35 | 1 | 32.1 | 45 |
| | 15 | 23 | 2 | 3.4 | 18.0 | 15 | 25 | 2 | 1.7 | 18.0 | 15 | 25 | 2 | 1.7 | 18.0 | 15 | 25 | 1 | 24.5 | 35 |
| | 11.2 | 17 | - | N/A | N/A | N/A | N/A | - | N/A | N/A | N/A | N/A | - | N/A | N/A | N/A | N/A | 1 | 18.7 | 25 |
| ALC08-2084E | 20 | 26 | 2 | 6.8 | 24.1 | 15 | 35 | 2 | 3.4 | 24.1 | 15 | 35 | 2 | 3.4 | 24.1 | 15 | 35 | 1 | 33.8 | 45 |
| | 15 | 20 | 2 | 6.8 | 18.0 | 15 | 25 | 2 | 3.4 | 18.0 | 15 | 25 | 2 | 3.4 | 18.0 | 15 | 25 | 1 | 26.2 | 35 |
| | 11.2 | 15 | - | N/A | N/A | N/A | N/A | - | N/A | N/A | N/A | N/A | - | N/A | N/A | N/A | N/A | 1 | 20.4 | 30 |
| ALC08-2096E ALC08-2120E | 28.8 | 33 | 2 | 6.8 | 24.1 | 15 | 35 | 2 | 3.4 | 24.1 | 15 | 35 | 2 | 3.4 | 24.1 | 15 | 35 | 1 | 47.2 | 60 |
| | 21.6 | 25 | 2 | 6.8 | 18.0 | 15 | 25 | 2 | 3.4 | 18.0 | 15 | 25 | 2 | 3.4 | 18.0 | 15 | 25 | 1 | 36.2 | 45 |
| | 16.2 | 19 | - | N/A | N/A | N/A | N/A | - | N/A | N/A | N/A | N/A | - | N/A | N/A | N/A | N/A | 1 | 28.0 | 35 |

| MODEL | *kW option | Temp Rise °F | 120/1/60 - 600/3/60 (voltage code L) 120V MOTOR AMP DRAW = 3.4 each | | | | 208/1/60 - 600/3/60 (voltage code M) 208V MOTOR AMP DRAW = 1.7 each | | | | 240/1/60 - 600/3/60 (voltage code N) 240V MOTOR AMP DRAW = 1.7 each | | | | | | |
|----------------------------|------------|--------------|--|------------------|--------|----------------------------|--|--------|------------------|--------|--|--------|--------|------------------|--------|----------------------------|--------|
| | | | # CKTS | AMPS PER CIRCUIT | | BREAKER RATING PER CIRCUIT | | # CKTS | AMPS PER CIRCUIT | | BREAKER RATING PER CIRCUIT | | # CKTS | AMPS PER CIRCUIT | | BREAKER RATING PER CIRCUIT | |
| | | | | 120V/1 | 600V/3 | 120V/1 | 600V/3 | | 208V/1 | 600V/3 | 208V/1 | 600V/3 | | 240V/1 | 600V/3 | 240V/1 | 600V/3 |
| ALC08-1036E ALC08-1042E | 10 | 30 | 2 | 3.4 | 10.0 | 15 | 15 | 2 | 1.7 | 10.0 | 15 | 15 | 2 | 1.7 | 10.0 | 15 | 15 |
| | 7.5 | 23 | - | N/A | N/A | N/A | N/A | - | N/A | N/A | N/A | N/A | - | N/A | N/A | N/A | N/A |
| | 5.6 | 17 | - | N/A | N/A | N/A | N/A | - | N/A | N/A | N/A | N/A | - | N/A | N/A | N/A | N/A |
| ALC08-1048E ALC08-1060E | 14.4 | 33 | 2 | 3.4 | 14.5 | 15 | 20 | 2 | 3.4 | 14.5 | 15 | 20 | 2 | 3.4 | 14.5 | 15 | 20 |
| | 10.8 | 25 | - | N/A | N/A | N/A | N/A | - | N/A | N/A | N/A | N/A | - | N/A | N/A | N/A | N/A |
| | 8.1 | 19 | - | N/A | N/A | N/A | N/A | - | N/A | N/A | N/A | N/A | - | N/A | N/A | N/A | N/A |
| ALC08-1072E | 20 | 30 | 2 | 3.4 | 20.1 | 15 | 30 | 2 | 3.4 | 20.1 | 15 | 30 | 2 | 3.4 | 20.1 | 15 | 30 |
| | 15 | 23 | - | N/A | N/A | N/A | N/A | - | N/A | N/A | N/A | N/A | - | N/A | N/A | N/A | N/A |
| | 11.2 | 17 | - | N/A | N/A | N/A | N/A | - | N/A | N/A | N/A | N/A | - | N/A | N/A | N/A | N/A |
| ALC08-2084E | 20 | 26 | 2 | 6.8 | 20.1 | 15 | 30 | 2 | 6.8 | 20.1 | 15 | 30 | 2 | 6.8 | 20.1 | 15 | 30 |
| | 15 | 20 | - | N/A | N/A | N/A | N/A | - | N/A | N/A | N/A | N/A | - | N/A | N/A | N/A | N/A |
| | 11.2 | 15 | - | N/A | N/A | N/A | N/A | - | N/A | N/A | N/A | N/A | - | N/A | N/A | N/A | N/A |
| ALC08-2096E ALC08-2120E | 28.8 | 33 | 2 | 6.8 | 28.9 | 15 | 40 | 2 | 6.8 | 28.9 | 15 | 40 | 2 | 6.8 | 28.9 | 15 | 40 |
| | 21.6 | 25 | - | N/A | N/A | N/A | N/A | - | N/A | N/A | N/A | N/A | - | N/A | N/A | N/A | N/A |
| | 16.2 | 19 | - | N/A | N/A | N/A | N/A | - | N/A | N/A | N/A | N/A | - | N/A | N/A | N/A | N/A |



ALC08 ELECTRIC HEATED



NOTES:

- ⚠ AIR CURTAIN MUST BE INSTALLED SO AIR STREAM IS NOT OBSTRUCTED WHEN DEFLECTED 20° TO EITHER SIDE OF \bar{C} .
- ⚠ ELECTRICAL CONNECTIONS TO BE FLEXIBLE.
- ⚠ FIELD VERIFY DIMENSIONS.
- ⚠ ANCHORS TO SUPPORTING STRUCTURE BY OTHERS.
- ⚠ ADEQUACY OF SUPPORTING STRUCTURE IS TO BE VERIFIED BY A PROFESSIONAL STRUCTURAL ENGINEER.
- ⚠ LETTER 'E' IN MODEL NUMBER DESIGNATES ELECTRIC HEATED UNIT.
- ⚠ DIMENSIONS IN INCHES [CENTIMETERS].

| MODEL ⚠ | NOZZLE WIDTH 'A' | UNIT WIDTH 'B' | MOUNTING WIDTH 'C' | MOUNTING WIDTH 'D' |
|-------------|------------------|-----------------|--------------------|--------------------|
| ALC08-1030E | 28.00 [71.12] | 30.00 [76.20] | 26.75 [67.95] | - |
| ALC08-1036E | 35.25 [89.54] | 37.25 [94.62] | 34.00 [86.36] | - |
| ALC08-1042E | 41.25 [104.78] | 43.25 [109.86] | 40.00 [101.60] | - |
| ALC08-1048E | 47.25 [120.02] | 49.25 [125.10] | 46.00 [116.84] | - |
| ALC08-1060E | 59.00 [149.86] | 61.00 [154.94] | 57.75 [146.69] | - |
| ALC08-1072E | 72.25 [183.59] | 74.25 [188.60] | 71.00 [180.34] | - |
| ALC08-2084E | 84.25 [213.00] | 86.25 [219.08] | 83.00 [210.82] | 40.00 [101.60] |
| ALC08-2096E | 96.25 [244.48] | 98.25 [249.56] | 95.00 [241.30] | 46.00 [116.84] |
| ALC08-2120E | 119.75 [304.17] | 121.75 [309.25] | 118.50 [300.99] | 57.75 [146.69] |

| | | |
|-----------|-----------|---|
| PROJECT | | |
| LOCATION | | |
| ARCHITECT | | |
| ENGINEER | | |
| DWG. NO. | ALC08-ELE | TITLE: BERNER |
| DATE | 21MAY14 | MODEL ALC08 AIR CURTAIN ELECTRIC HEATED SYSTEM |
| BY | S. Beil | |
| REPLACES | - | |
| BY | - | BERNER INTERNATIONAL CORP. NEW CASTLE, PA |