



ARCHITECTURAL LOW PROFILE 8

Ambient (Unheated) Air Curtain

Data Sheet

For Door Heights To 8' (environmental separation) and 7' (insect control)

STANDARD CONSTRUCTION

- 7 1/2" high x 13 3/4" deep
- 1/5 hp ten speed motor(s)
- Factory installed Intelliswitch digital controller
- Clear satin anodized aluminum exterior (Optional: Custom Color or Stainless)
- Wall & Top Mounting
- High efficiency, low noise Pro-V Nozzle
- Optional: Filter (washable)

5 Year
Limited
Warranty



MODEL	Nozzle Width (in)	Max Vel. at Nozzle (fpm)	Avg. Outlet Vel. (fpm)	Air Volume (cfm)	Outlet Vel. Uniformity	Power Rating (kW)	Motor(s) @ hp	Net Wt. (lbs)
ALC08-1030A	28.00	3,100	1,777	691	89%	0.18	1 @ 1/5	33
ALC08-1036A	35.25	3,600	2,116	1,036	92%	0.32	1 @ 1/5	38
ALC08-1042A	41.25	3,000	2,115	1,212	93%	0.32	1 @ 1/5	43
ALC08-1048A	47.25	2,800	2,104	1,381	94%	0.32	1 @ 1/5	48
ALC08-1060A	59.00	3,100	2,053	1,682	95%	0.32	1 @ 1/5	57
ALC08-1072A	72.50	3,600	2,058	2,072	95%	0.32	1 @ 1/5	64
ALC08-2084A	84.25	3,000	2,072	2,424	93%	0.64	2 @ 1/5	86
ALC08-2096A	96.25	2,800	2,066	2,762	94%	0.64	2 @ 1/5	96
ALC08-2120A	119.75	3,100	2,023	3,364	95%	0.64	2 @ 1/5	114

NOTE: Operation at 50 Hz will generate approximately a 17% reduction in air performance.

See sheet EP-200 for amp draws/total load requirements.

MODEL NUMBER CONFIGURATION

ALC08-1 030 A A-R-SS

Series	# of Motors	Opening Width	Heat	Voltage	Opt. Display	Opt. Cabinet Finish
ALC08	1, 2	030" - 120"	A=Ambient	*A=120/1/60 B=208/1/60 J=240/1/60 V=220/1/50	Remote Display <i>Intelliswitch</i>	SS=Stainless Steel CC=Custom Color

*Suitable for 50hz

VELOCITY PROFILE: Model ALC08-1036A

Distance from Nozzle (ft)	2	3	4
Core Velocity (fpm)	1824	1509	1292

Sound level measured 10' (3m) from the unit in free field:
 1 motor: Min/Max Speed: 52/54 dBA
 2 motors: Min/Max Speed: 55/57 dBA

Berner reserves the right to alter specifications without prior notice.



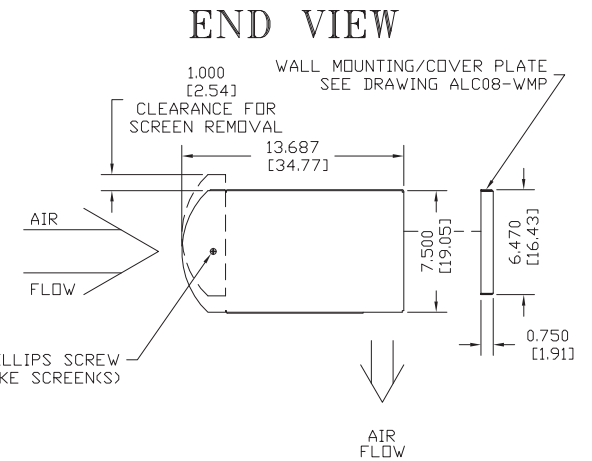
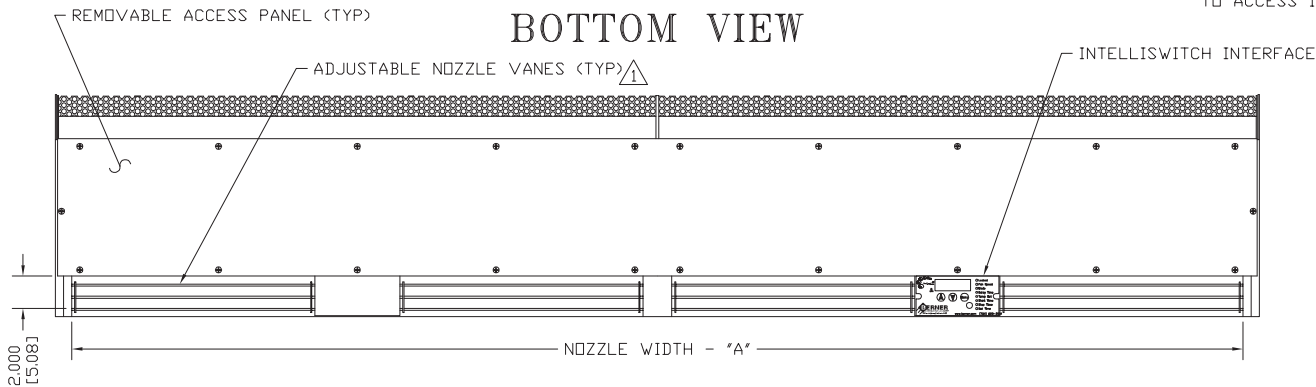
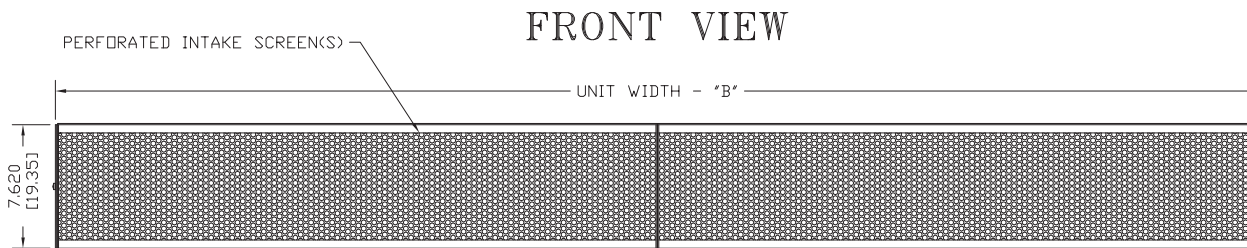
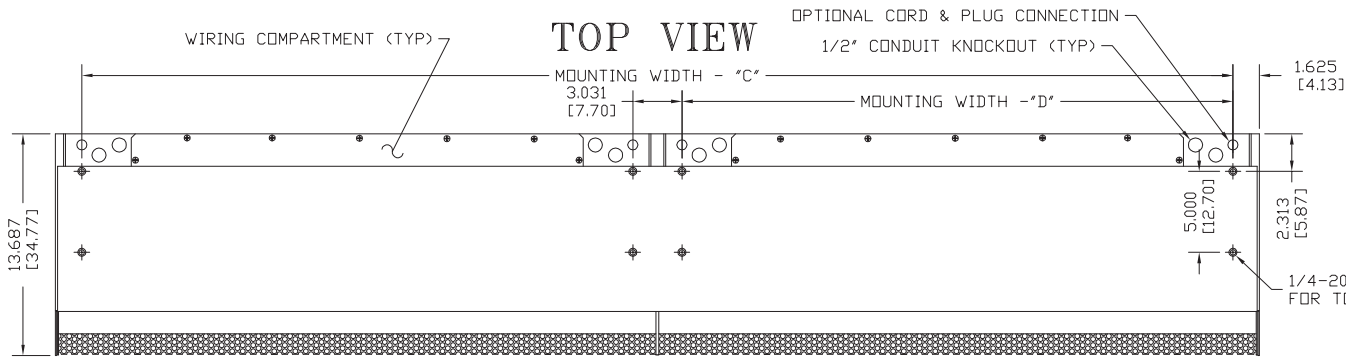
ARCHITECTURAL LOW PROFILE 8

Ambient (Unheated) Air Curtain Electrical Performance Sheet

MODEL	# CKTS	120/1/60 (voltage code A) MOTOR AMP DRAW = 3.4 each		# CKTS	208/1/60 (voltage code B) or 220/1/50 (voltage code V) MOTOR AMP DRAW = 1.7 each		# CKTS	240/1/60 (voltage code J) MOTOR AMP DRAW = 1.7 each	
		AMPS PER CIRCUIT	BREAKER RATING PER CIRCUIT		AMPS PER CIRCUIT	BREAKER RATING PER CIRCUIT		AMPS PER CIRCUIT	BREAKER RATING PER CIRCUIT
ALC08-1030A ALC08-1036A ALC08-1042A ALC08-1048A ALC08-1060A ALC08-1072A	1	3.4	15	1	1.7	15	1	1.7	15
ALC08-2084A ALC08-2096A ALC08-2120A	1	6.8	15	1	3.4	15	1	3.4	15

Berner reserves the right to alter specifications without prior notice.

ALC08 AMBIENT SYSTEM



NOTES:

- ¹ AIR CURTAIN MUST BE INSTALLED SO AIR STREAM IS NOT OBSTRUCTED WHEN DEFLECTED 20° TO EITHER SIDE OF \bar{C} .
- ² ELECTRICAL CONNECTIONS TO BE FLEXIBLE.
- ³ FIELD VERIFY DIMENSIONS.
- ⁴ ANCHORS TO SUPPORTING STRUCTURE BY OTHERS.
- ⁵ ADEQUACY OF SUPPORTING STRUCTURE IS TO BE VERIFIED BY A PROFESSIONAL STRUCTURAL ENGINEER.
- ⁶ LETTER "A" IN MODEL NUMBER DESIGNATES AMBIENT UNIT.
- ⁷ DIMENSIONS IN INCHES (CENTIMETERS).

MODEL ⁶	NOZZLE WIDTH "A"	UNIT WIDTH "B"	MOUNTING WIDTH "C"	MOUNTING WIDTH "D"
ALC08-1030A	28.00 [71.12]	30.00 [76.20]	26.75 [67.95]	-
ALC08-1036A	35.25 [89.54]	37.25 [94.62]	34.00 [86.36]	-
ALC08-1042A	41.25 [104.78]	43.25 [109.86]	40.00 [101.60]	-
ALC08-1048A	47.25 [120.02]	49.25 [125.10]	46.00 [116.84]	-
ALC08-1060A	59.00 [149.86]	61.00 [154.94]	57.75 [146.69]	-
ALC08-1072A	72.25 [183.59]	74.25 [188.60]	71.00 [180.34]	-
ALC08-2084A	84.25 [213.00]	86.25 [219.08]	83.00 [210.82]	40.00 [101.60]
ALC08-2096A	96.25 [244.48]	98.25 [249.56]	95.00 [241.30]	46.00 [116.84]
ALC08-2120A	119.75 [304.17]	121.75 [309.25]	118.50 [300.99]	57.75 [146.69]

PROJECT		BERNER MODEL ALC08 AIR CURTAIN AMBIENT SYSTEM
LOCATION		
ARCHITECT		
ENGINEER		
DWG. NO.	ALC08-AMB	BERNER INTERNATIONAL CORP. NEW CASTLE, PA.
DATE	21MAY14	
BY	S. Beil	
REPLACES	-	
BY	-	