

QTY	Door Size	Model #	Standard	Optional	QTY	Door Size	Model #	Standard	Optional	QTY	Door Size	Model #	Standard	Optional
	30" x 78"	ASD30078	☐.080	☐.120		42" x 78"	ASD42078	☐.080	☐.120		54" x 78"	ASD54078	☐.080	☐.120
	30" x 84"	ASD30084	☐.080	☐.120		42" x 84"	ASD42084	☐.080	☐.120		54" x 84"	ASD54084	☐.080	☐.120
	30" x 90"	ASD30090	☐.080	☐.120		42" x 90"	ASD42090	☐.080	☐.120		54" x 90"	ASD54090	☐.080	☐.120
	30" x 96"	ASD30096	☐.080	☐.120		42" x 96"	ASD42096	☐.080	☐.120		54" x 96"	ASD54096	☐.080	☐.120
	30" x 102"	ASD30102	☐.080	☐.120		42" x 102"	ASD42102	☐.080	☐.120		54" x 102"	ASD54102	☐.080	☐.120
	30" x 108"	ASD30108	☐.080	☐.120		42" x 108"	ASD42108	☐.080	☐.120		54" x 108"	ASD54108	☐.080	☐.120
	36" x 78"	ASD36078	☐.080	☐.120		48" x 78"	ASD48078	☐.080	☐.120		60" x 78"	ASD60078	☐.080	☐.120
	36" x 84"	ASD36084	☐.080	☐.120		48" x 84"	ASD48084	☐.080	☐.120		60" x 84"	ASD60084	☐.080	☐.120
	36" x 90"	ASD36090	☐.080	☐.120		48" x 90"	ASD48090	☐.080	☐.120		60" x 90"	ASD60090	☐.080	☐.120
	36" x 96"	ASD36096	☐.080	☐.120		48" x 96"	ASD48096	☐.080	☐.120		60" x 96"	ASD60096	☐.080	☐.120
	36" x 102"	ASD36102	☐.080	☐.120		48" x 102"	ASD48102	☐.080	☐.120		60" x 102"	ASD60102	☐.080	☐.120
	36" x 108"	ASD36108	☐.080	☐.120		48" x 108"	ASD48108	☐.080	☐.120		60" x 108"	ASD60108	☐.080	☐.120
	" x "	ASD*****	☐.080	☐.120		" x "	ASD*****	☐.080	☐.120		" x "	ASD*****	☐.080	☐.120

*****Maximum size available 60" x 108", consult factory for model numbers on custom sizes.

QUALITY ASSURANCE

- A. Manufacturer's Qualifications: Artic Seal doors shall be manufactured by firms regularly engaged in generally accepted and documented Quality Assurance Procedures, in the manufacturing of Artic Seal doors, and whose products have been in satisfactory use in similar service for not less than five (5) years.

MANUFACTURER

- A. Artic Seal doors to be furnished as factory assembled units as manufactured by Berner International Corporation, New Castle, PA.

MATERIALS

- A. Vinyl Panels: .080" low-temp (USDA) clear PVC (.120" optional), including a non-curl reinforced heat sealed loop on each panel.
- B. Hardware: Noncorrosive 300 class polished stainless steel mounting brackets with stainless steel cam roller and chrome vanadium compression spring.

FEATURES

- A. Tear and abrasive resistant USDA low-temp panels.
- B. Built-in shim adjustment for quick installation and centering of panels.
- C. Adjustable door closure.

OPTIONS

(Consult Factory)

- A. Custom Colors, with vision strip or window.
- B. Wear resistant kick plates.

INSTALLATION

- A. Install Artic Seal door mounting bracket flush with door jamb.
- B. If tapping strip is provided for support use self drilling screws.
- C. If suitable support is not provided door must be through-bolted.

WARRANTY

- A. 1 year parts warranty for manufacturers defects. Lifetime rustproof warranty replacement.



MADE IN THE USA

DS-AS1
March, 2004

PROJECT
LOCATION
CONSULTANT
DATE

1-800-343-7991 • 724-658-3551

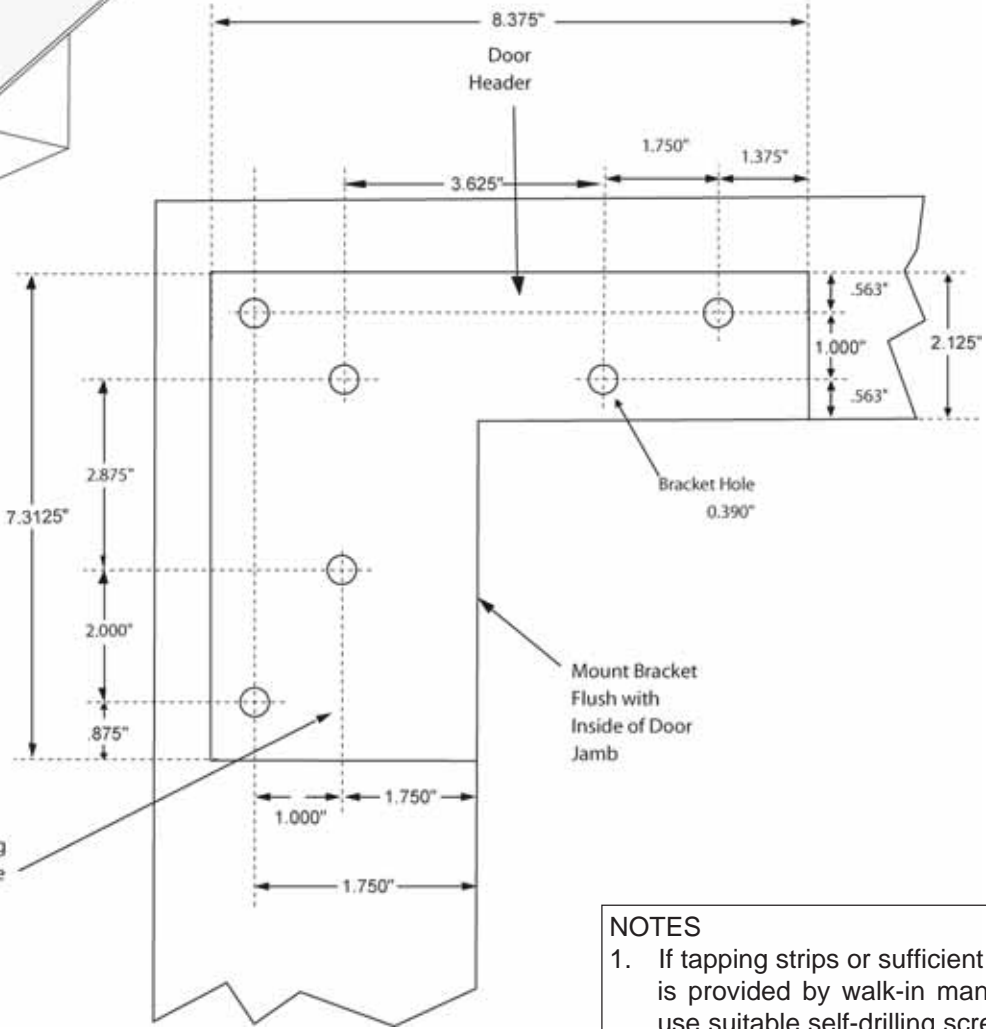
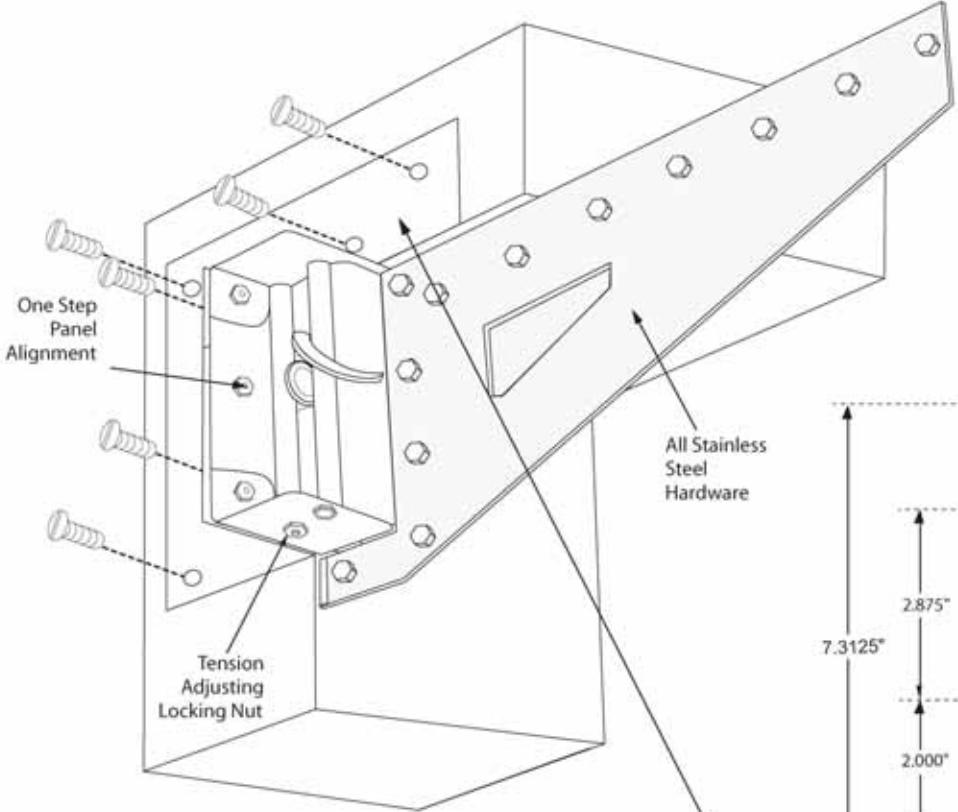
Fax 724-652-0682

www.berner.com • airdoors@berner.com

Item No. _____
ARTIC SEAL
Swinging Doors

ARTIC SEAL Swinging Doors

for cooler and freezer doors to -30°



Mounting Hardware

OPENING MEASUREMENTS

WIDTH (in inches) _____

HEIGHT (in inches) _____

- NOTES**
1. If tapping strips or sufficient structure is provided by walk-in manufacturer use suitable self-drilling screws.
 2. For through-bolt mounting, use 5/16" or 3/8" bolts.