

STANDARD FEATURES

- ◆ ½ hp three speed motor(s)
- ◆ Galvanized steel blower wheels and housing
- ◆ Aluminum air directional vanes
- ◆ Filter frame (filters sold separately)
- ◆ Factory installed fan speed heat selector switch
- ◆ Clear anodized aluminum cover housing
- ◆ Wall mounting plate & 5/16" nut inserts for top mounting
- ◆ UL Listed United States and Canada
- ◆ Two year parts warranty
- ◆ Crafted with Pride in the USA

HEATER FEATURES

- ◆ Helical coil with point suspension of elements for longer life
- ◆ Available single or three phase (not all models)
- ◆ Easily replaceable heater elements
- ◆ Galvanized steel frame
- ◆ Thermal protection against overheating

OPTIONAL FEATURES

- ◆ Bronze anodized aluminum finish
- ◆ Stainless steel finish
- ◆ Reduced kW available (consult factory)

MODEL	Nozzle Width (in)	Max. Velocity (fpm)	Avg. Outlet Velocity (fpm)	Air Volume (scfm)	Motor(s) @ hp	Power Rating (kW)	Outlet Velocity Uniformity (%)	Electric Capacity (kW)	Temp Rise °F	Net Wgt (lbs)	Ship Wgt (lbs)
DP21036E	36.75	3000	2121	1346	1 @ ½	.52	91	9.5	22	80	110
DP21042E	42.75	3000	1830	1390	1 @ ½	.52	86	9.5	22	84	125
DP21048E	48.75	3000	1663	1417	1 @ ½	.52	71	9.5	21	86	132
DP22048E	48.75	3000	2241	1896	2 @ ½	.71	92	12.5	22	110	140
DP22060E	60.75	3000	2393	2540	2 @ ½	1.01	92	16.0	22	145	179
DP22072E	74.50	3000	2121	2692	2 @ ½	1.04	91	19.0	22	160	219
DP22084E	86.50	3000	1830	2780	2 @ ½	1.04	86	19.0	22	175	254
DP22096E	98.50	3000	1663	2834	2 @ ½	1.04	71	19.0	21	190	269
DP23096E	98.50	3000	2241	3792	3 @ ½	1.56	92	25.0	22	205	284
DP23108E	112.25	3000	2121	4038	3 @ ½	1.56	91	28.5	21	215	305
DP23120E	118.25	3000	1957	4082	3 @ ½	1.56	86	28.5	22	225	324

Performance data shown is for high speed.
Consult factory for low and medium speed performance data.

ELECTRIC HEATER DATA*												
MODEL	KW	208V 1Ø		240V 1Ø		208V 3Ø Amp Draw			240V 3Ø Amp Draw		480V 3Ø**	600V 3Ø**
		Circuit 1	Circuit 2	Circuit 1	Circuit 2	Circuit 1	Circuit 2	Circuit 3	Circuit 1	Circuit 2	Amp Draw Circuit 1	Amp Draw Circuit 1
DP21036E	9.5	45.7	-	39.6	-	26.4	-	-	22.9	-	11.4	9.5
DP21042E	9.5	45.7	-	39.6	-	26.4	-	-	22.9	-	11.4	9.5
DP21048E	9.5	45.7	-	39.6	-	26.4	-	-	22.9	-	11.4	9.5
DP22048E	12.5	20.0	40.1	17.4	34.7	34.7	-	-	30.1	-	15.0	12.6
DP22060E	16.0	-	-	-	-	44.4	-	-	38.5	-	19.2	16.1
DP22072E	19.0	-	-	-	-	26.4	26.4	-	22.9	22.9	22.9	19.1
DP22084E	19.0	-	-	-	-	26.4	26.4	-	22.9	22.9	22.9	19.1
DP22096E	19.0	-	-	-	-	26.4	26.4	-	22.9	22.9	22.9	19.1
DP23096E	25.0	-	-	-	-	34.7	34.7	-	30.1	30.1	30.1	25.1
DP23108E	28.5	-	-	-	-	26.4	26.4	26.4	22.9	45.7	34.3	28.6
DP23120E	28.5	-	-	-	-	26.4	26.4	26.4	22.9	45.7	34.3	28.6

*Optional kW available. Check wiring diagram supplied with unit for kW and AMP draw if not listed above.

**Separate 120V, 208V or 240V single phase circuit required to operate motors.

For total circuit amp draw add motor amp draw to heater amp draw.

MOTOR VOLTAGES/AMP DRAWS					
VOLTS	120	208	240	110*	220*
PHASE	1	1	1	1	1
HERTZ	60	60	60	50	50
AMPS per MOTOR	7.2	4.0	4.0	6.0	3.0

*Operation at 50 Hz will generate approximately a 17% reduction in performance.

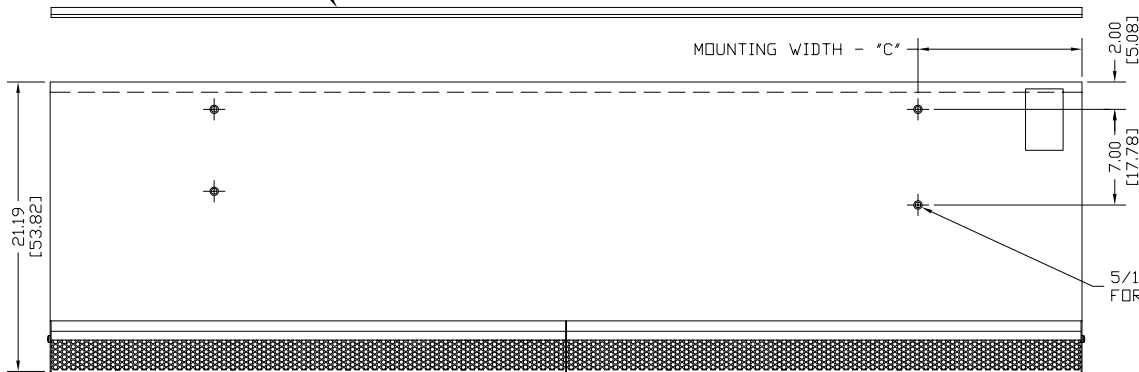


Sound level measured 10' from the unit in free field:
1 Motor: Low/Medium/High Speed 51/54/56 dBA
2 Motors: Low/Medium/High Speed 54/56/59 dBA
3 Motors: Low/Medium/High Speed 57/60/62 dBA

Berner reserves the right to alter specifications without prior notice.

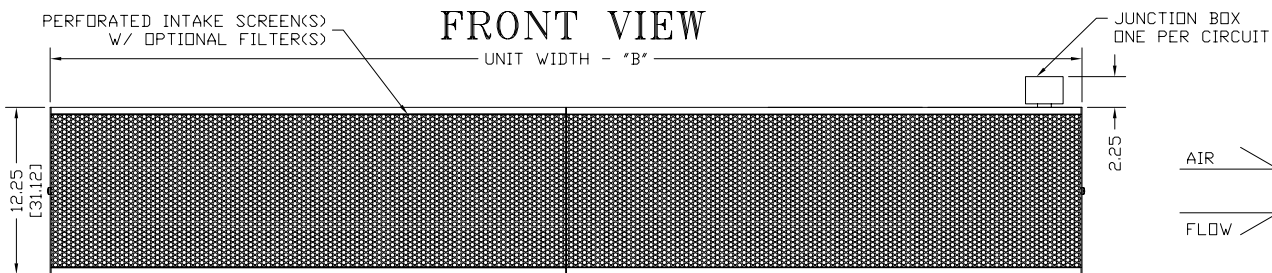
WALL MOUNTING PLATE

TOP VIEW

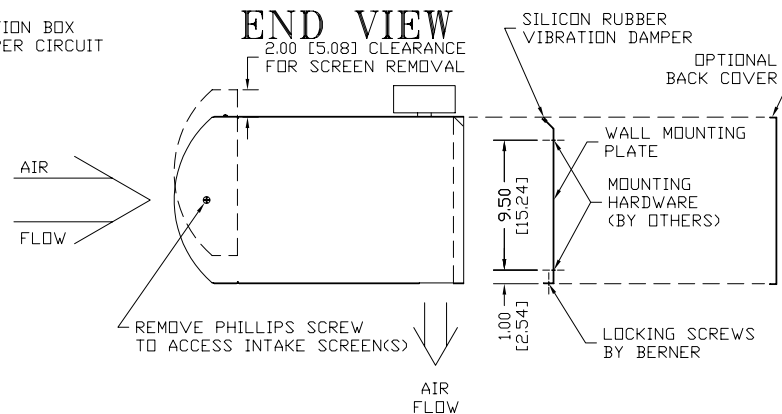


DIPLOMAT II ELECTRIC HEATED

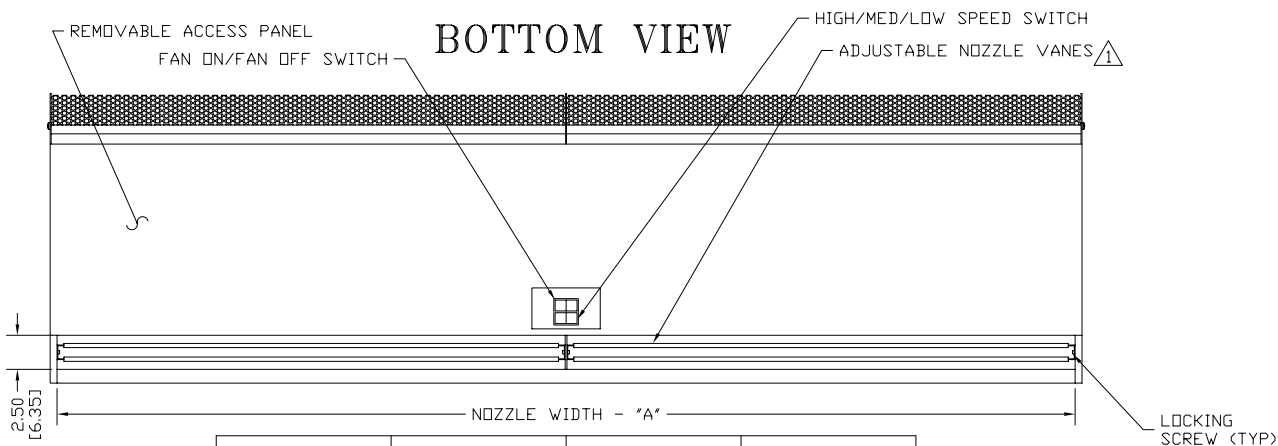
FRONT VIEW



END VIEW



BOTTOM VIEW



NOTES:

- ① AIR CURTAIN MUST BE INSTALLED SO AIR STREAM IS NOT OBSTRUCTED WHEN DEFLECTED 20° TO EITHER SIDE OF C.
- ② ELECTRICAL CONNECTIONS TO BE FLEXIBLE.
- ③ FIELD VERIFY DIMENSIONS.
- ④ ANCHORS TO SUPPORTING STRUCTURE BY OTHERS.
- ⑤ ADEQUACY OF SUPPORTING STRUCTURE IS TO BE VERIFIED BY A PROFESSIONAL STRUCTURAL ENGINEER.
- ⑥ LETTER "E" IN MODEL NUMBER DESIGNATES ELECTRIC HEAT.
- ⑦ DIMENSIONS IN INCHES [CENTIMETERS].

MODEL ⑥	NOZZLE WIDTH "A"	UNIT WIDTH "B"	MOUNTING WIDTH "C"
DP21036E	36.75 [93.35]	37.75 [95.89]	8.00 [20.32]
DP21042E	42.75 [108.59]	43.75 [111.13]	8.00 [20.32]
DP21048E	48.75 [123.83]	49.75 [126.37]	10.00 [25.40]
DP22048E	48.75 [123.83]	49.75 [126.37]	8.00 [20.32]
DP22060E	60.75 [153.31]	61.75 [156.85]	8.00 [20.32]
DP22072E	74.50 [189.23]	75.50 [191.77]	12.00 [30.48]
DP22084E	86.50 [219.71]	87.50 [217.17]	12.00 [30.48]
DP22096E	98.50 [250.19]	99.50 [252.73]	27.00 [68.58]
DP23096E	98.50 [250.19]	99.50 [252.73]	27.00 [68.58]
DP23108E	112.25 [285.12]	113.25 [287.66]	27.00 [68.58]
DP23120E	118.25 [300.36]	119.25 [302.90]	27.00 [68.58]

PROJECT		
LOCATION		
ARCHITECT		
ENGINEER		
DWG. NO.	MINU2858	TITLE: BERNER
DATE	30JAN06	MODEL DIPLOMAT II AIR CURTAIN
BY	B. Peffer	ELECTRIC HEATED SYSTEM
REPLACES	04JAN06	
BY	A. Johnston	BERNER INTERNATIONAL CORP. NEW CASTLE, PA.