



BLG-E

Electric Floor Model Braising Pan with Manual Gear Box Tilt



OPTIONS AND ACCESSORIES (AT ADDITIONAL CHARGE)

- **Voltage options**
 - 220 VAC, 3 phase, 60 Hz
 - 380 VAC, 3 phase, 60 Hz
 - 415 VAC, 3 phase, 60 Hz
 - 480 VAC, 3 phase, 60 Hz
 - 220/380 VAC, 1 phase, 60 Hz
 - 240/415 VAC, 1 phase, 60 Hz
 - 600 VAC, 3 phase, 60 Hz
- **Faucets**
 - Single pantry faucet with swing spout
 - Double pantry faucet with swing spout
- **Etched markings**
 - Gallons
 - Litres
- **Draw off valves**
 - 2" (50mm) draw off valve
 - 3" (76mm) draw off valve
- Pan carrier (40 gallon only)
- Steam pan insert
- Correctional package

Project _____

Item No. _____

Quantity _____

- Model BLG-30E (30 gallon electric braising pan with manual gear box tilt)
- Model BLG-40E (40 gallon electric braising pan with manual gear box tilt)

CONSTRUCTION

- #4 finish 10 gauge stainless steel pan with polished interior
- One piece coved corner stainless steel pan with angled front for easy pouring
- Narrow footprint
- Permanent lubricated, self-contained gear box tilt mechanism
- Welded stainless steel tubular legs with bullet feet on front legs and flanged adjustable feet on back legs, all adjustable
- 1-3/8" (35 mm) thick aluminum casting bolted to the underside of the pan for even heat distribution across the entire surface

OPERATION

- Integrally mounted controls
- Power switch
- Thermostat with OFF position
- Thermostat indicator light
- High temperature cut-off
- 160-445°F (71-230°C) temperature range

STANDARD FEATURES

- Spring assist hinged stainless steel cover with handle
- No drip condensate guide
- Removable pour strainer
- Manual tilt action
- Standard voltage options
 - 208 VAC, 1 phase, 60 Hz
 - 208 VAC, 3 phase, 60 Hz
 - 240 VAC, 1 phase, 60 Hz
 - 240 VAC, 3 phase, 60 Hz
- One year parts and labor warranty*

* For all international markets, contact your local distributor.



BLG-E BRAISING PAN WITH MANUAL GEAR BOX TILT

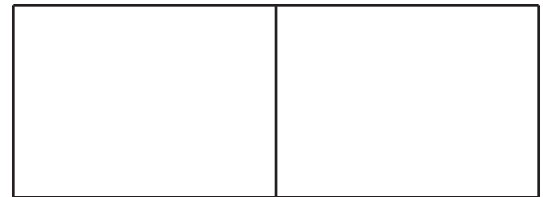
BLODGETT COMBI

www.blodgett.com

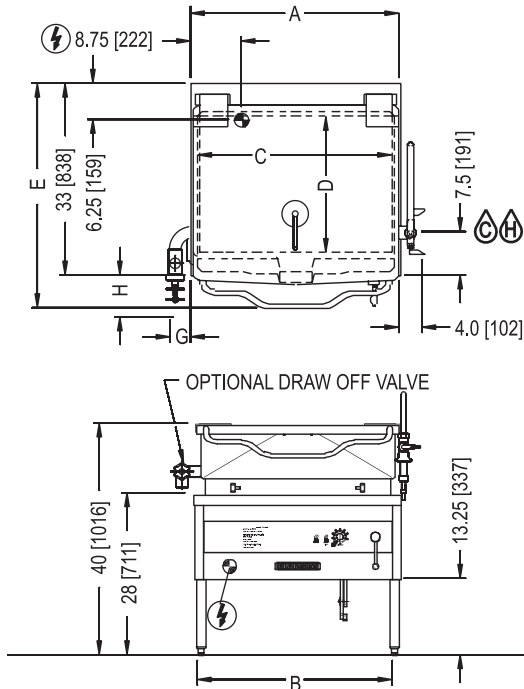
44 Lakeside Avenue, Burlington, VT 05401 • Phone: (802) 658-6600 • Fax: (802) 864-0183



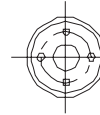
BLG-E ELECTRIC BRAISING PAN WITH MANUAL GEAR BOX TILT



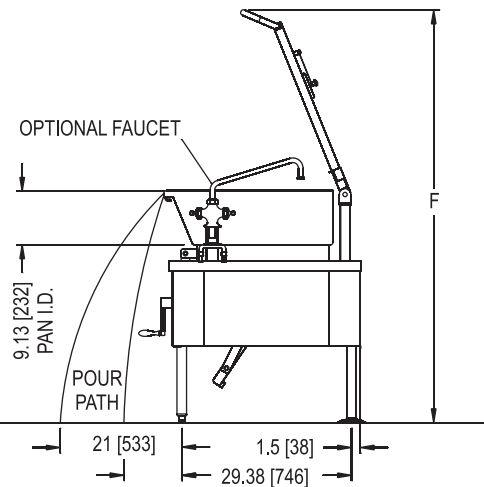
APPROVAL/STAMP



DIMENSIONS ARE IN INCHES [MM]



REAR FLANGED FOOT DETAIL
4 EQUALLY SPACED
Ø7/16" [11MM] HOLES
ON 3 [76] B.C.



MODEL	A	B	C	D	E	F
BLG-30E	36[914]	33.63[854]	33.5[851]	23.5[597]	38.88[987]	71.38[1813]
BLG-40E	48[1219]	45.63[1159]	43.5[1105]	23.5[597]	39.38[1000]	70.88[1800]

VALVE DIAMETER	F	G
2"	3.6[92]	7.3[186]
3"	5.5[140]	13.1[333]

SHORT FORM SPECIFICATIONS

Provide Blodgett model BLG-30E, 30 gallon (114 litre) or BLG-40E (152 litre) electric braising pan with manual gear box tilt. The unit shall have a one-piece covered corner, 10 gauge stainless steel pan with #4 exterior finish and polished interior. Pan shall have angled front for easy pour and a narrow footprint. The base exterior shall be of all stainless steel construction supported by an all welded 1-5/8" (41mm) stainless steel pipe frame with adjustable bullet feet and rear legs fitted with flange. 1-3/8" (35 mm) thick aluminum casting bolted to the underside of the pan for even heat distribution across the entire surface adjustable feet for securing to the floor. One piece covered corner stainless steel pan with angled front for easy pouring Unit shall have permanent lubricated, self-contained gear box tilt mechanism to allow the pan to tilt forward for complete emptying of contents. The controls enclosure shall provide a degree of protection against dripping and light splashing water and shall include a thermostat with OFF position and a range of 160-445°F (71-229°C), a thermostat indicator light, pan tilt switch that shuts elements off if tilted more than 5°, and high temperature cut-off set at 536°F (280°C) Provide options and accessories as indicated.

MAXIMUM INPUT:

BLG-30E 12 kW
BLG-40E 15 kW (18 kW option available)

POWER CONNECTION:

Refer to data plate.

WATER CONNECTION

Hot and Cold water 3/8" O.D. tubing to optional faucet

SHIPPING INFORMATION:

Approx. Weight:
BLG-30E 595 lbs. (270 kg)
BLG-40E 760 lbs. (345 kg)

		AMPS PER LINE						
kW	Phase	208V	220V	240V	380V	415V	480V	600V
12 kW	1	57.7	54.5	50	N/A	N/A	N/A	N/A
	3	33.3	31.5	28.9	18.2	16.7	14.4	11.5
15 kW	1	72.1	68.2	62.5	N/A	N/A	N/A	N/A
	3	41.6	39.4	36.1	22.8	20.9	18	14.4
18 kW Option	1	86.5	81.8	75	N/A	N/A	N/A	N/A
	3	50	47.2	43.3	27.3	25.0	21.7	17.3

NOTE: The company reserves the right to make substitutions of components without prior notice.

BLODGETT COMBI

www.blodgett.com 44 Lakeside Avenue, Burlington, VT 05401 • Phone: (802) 658-6600 • Fax: (802) 864-0183