



Project \_\_\_\_\_

Item No. \_\_\_\_\_

Quantity \_\_\_\_\_

All data is shown per oven section, unless otherwise indicated.

**TABLES & STANDS**

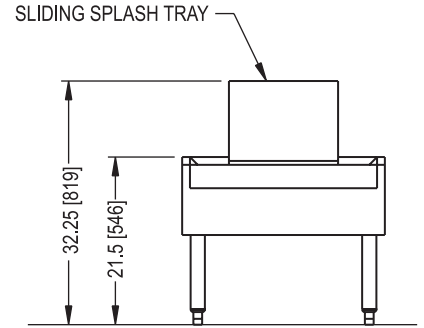
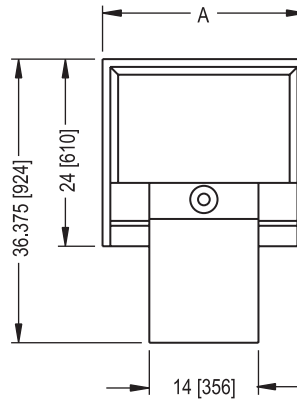
**Tables & Stands**  
For Steamers, Kettles & Braising Pans

**KETTLE TABLES**



Stainless steel construction satin finish

DIMENSIONS ARE IN INCHES [MM].



	26 INCH	40 INCH	50 INCH	64 INCH	80 INCH
<b>A</b>	26 [660]	40 [1016]	50 [1270]	64 [1626]	80 [2032]

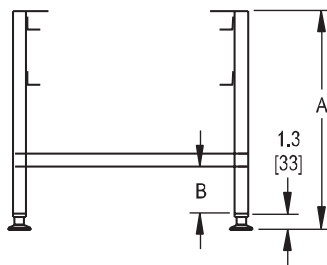
TOP VIEW



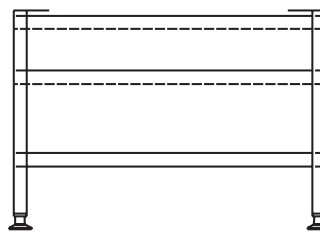
**STEAMER STANDS**



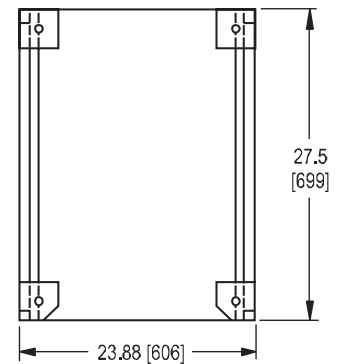
Shown with ST-3E and steam pans



FRONT VIEW



SIDE VIEW



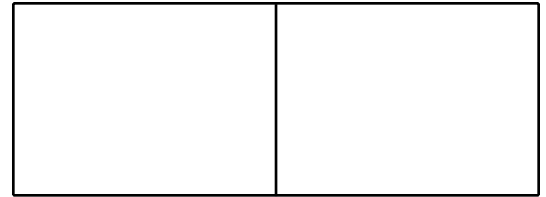
TOP VIEW

DIMENSIONS ARE IN INCHES [MM]

	18 INCH	28 INCH	34 INCH
<b>A</b>	18.13 [460]	29.13 [740]	34.13 [867]
<b>B</b>	4.375 [111]	6.75 [171]	6.75 [171]



# TABLES & STANDS

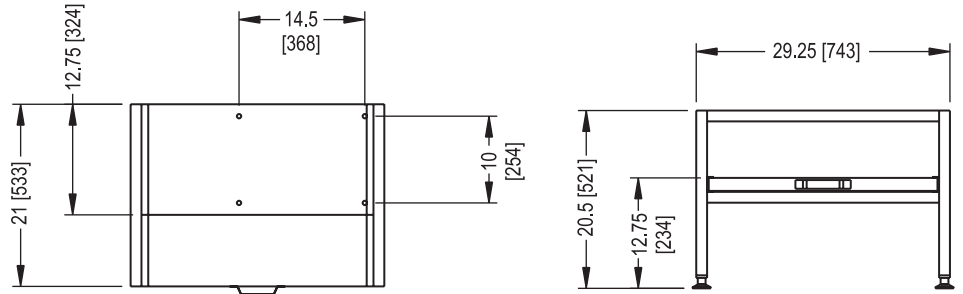


APPROVAL/STAMP

## STAND WITH SLIDING SHELF FOR KETTLES AND BRAISING PANS



Stainless steel construction satin finish



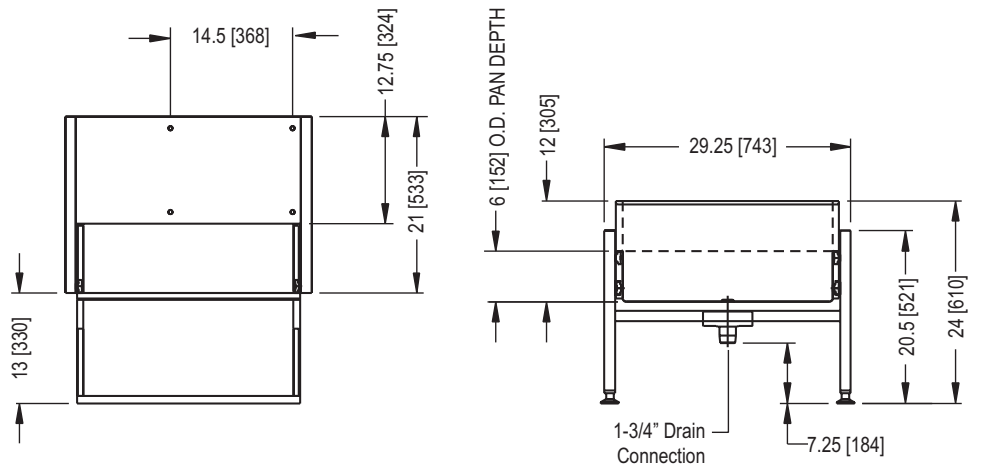
DIMENSIONS ARE IN INCHES [MM]



## STAND WITH SLIDING DRAWER & DRAIN CONNECTION FOR KETTLES AND BRAISING PANS



Stainless steel construction satin finish



DIMENSIONS ARE IN INCHES [MM]



**NOTE:** The company reserves the right to make substitutions of components without prior notice

### BLODGETT OVEN COMPANY

44 Lakeside Avenue, Burlington, VT 05401

Toll Free: (800) 331-5842 • Phone: (802) 860-3700 • Fax: (802) 864-0183