

Camcarriers®

Top Loading

For GN Food Pans

Models 100MPC

100MPCHL (With Hinged Serving Lid)

Features & Benefits



- Rugged and dependable, these Camcarriers provide an exact fit for a wide variety of GN Full and Fractional size Food Pans.
- Creates a wide variety of service configurations for food transporting using GN Fractional Food Pans.
- Model 100MPCHL offers a convenient serving hinge lid with 2 each easy access openings for serving directly from food pans held inside. Lids close when not in use to help maintain safe food temperatures. Perfect for casual or recreational catering events.
- Both models hold GN 1/1 Full, 1/2 and 1/3 size Food Pans without the use of Divider Bars.
- GN 1/1 Full size Food Pan capacity for both models:
 - 3 each 2½" (6,5 cm) deep
 - 2 each 4" (10 cm) deep
 - or 1 each 8" (20 cm) deep
- One-piece seamless, double-wall, high-density polyethylene construction is durable, lightweight and dishwasher safe. Textured exterior is scratch resistant.
- Foamed-in polyethylene insulation and an airtight gasket helps to ensure excellent food temperature retention, hot or cold.
- Recessed vent cap located on the top is easily opened to help equalize pressure and release steam.
- Model 100MPC has six sturdy plastic latches. Model 100MPCHL has six each recessed stainless steel latches.
- Molded-in handles on two sides provide comfortable, easy transporting.
- Securely stacks easily for more efficient transportation and storage.
- Optional Camdollies® provide easy transporting.
- Non-electrical.
- No assembly required.
- Available in 10 colors. Color variety offers quick food content identification and inventory control at-a-glance.

Item No. _____

Specifier Identification No. _____

Model No. _____

Quantity _____

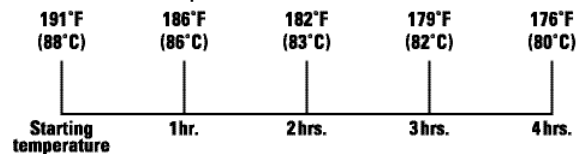


100MPC

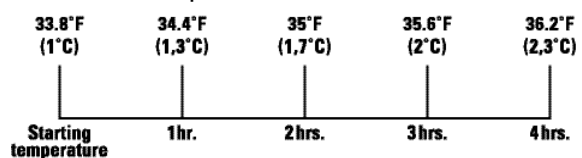


100MPCHL
(Shown with Hinged Serving Lid)

"Camcarriers Keep Food Hot for Hours!"



"Camcarriers Keep Food Cold for Hours!"



Approvals



Camcarriers®

Top Loading

For GN Food Pans

Models 100MPC

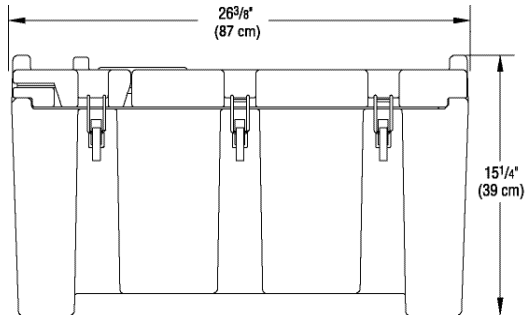
100MPCHL (With Hinged Serving Lid)

Item No. _____

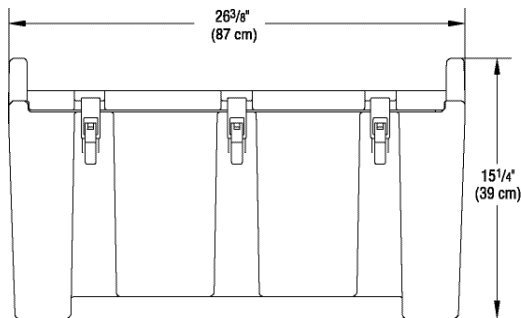
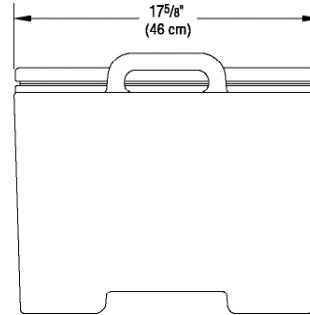
Specifier Identification No. _____

Model No. _____

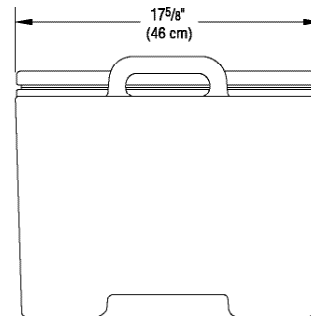
Quantity _____



100MPCHL



100MPC



Specifications

Dimension Tolerance: +/- 1/4" (0,64 cm)

Code	Description	Approx. Capacity	Exterior Dimensions L x W x H	Case lbs./cube Kg/m ³
100MPC	Camcarrier	24 qts. (22 L)	26 3/8" x 17 5/8" x 15 1/4" (87 x 46 x 39 cm)	24.5 (4.51) 11 (0,13)
100MPCHL	Camcarrier with Hinged Serving Lid	24 qts. (22 L)	26 3/8" x 17 5/8" x 15 1/4" (87 x 46 x 39 cm)	28 (4.51) 13 (0,13)

Optional Accessories

- Camdolly®
- CD100
 - CD100H
 - CD100HB

Standard Colors

- Dusty Rose (400)
- Navy Blue (186)
- Slate Blue (401)
- Cold Blue (159)
- Coffee Beige (157)
- Dark Brown (131)
- Brick Red (402)
- Green (519)
- Black (110)
- Hot Red (158)

Architect Specs

The portable non-electrical GN Food Pan transport carriers shall be Camcarriers, Models 100MPC or 100MPCHL, manufactured by Cambro Mfg. Co., Huntington Beach, CA 92648 U.S.A. It shall be made of one-piece, seamless, double-wall, high-density polyethylene and foam-injected polyurethane. It shall have a recessed vent cap on the outside top cover to help equalize pressure and release steam. It shall have an airtight gasket that is easily removable for cleaning. It shall transport GN Full, Half and Third Size

Food Pans, 2 1/2", 4" and 8" (6,5; 10; and 20 cm) deep. It shall not need Divider Bars. It shall have six recessed stainless steel latches or six recessed plastic latches. It shall have two each molded-in handles. It shall be available in a hinged lid model for serving direct from the Camcarrier. It shall stack for transport and storage. It shall be transportable with optional Camdollies®. It shall require no assembly and shall be available in 10 colors.

Approvals

