

## Utility Trucks

Models 2030UT, 2436UTH, 2436UTHS (With Straps)

### Features & Benefits



- Durable workhorses that can handle large loads up to 600 lbs. (272 Kg.) with large flat platforms for convenient loading and unloading.
- Main body on both models is durable and impact resistant. One-piece, double-wall, molded polyethylene construction is easy to clean and won't dent, crack, rust, chip or break.
- Foamed-in-place polyethylene core adds structural strength and ensures quiet handling.
- Upright handles ensure comfortable maneuvering height.
  - Model 2436UTH - Molded-in polyurethane handle
  - Model 2030UT - Tough chrome handle attached on the underside to all four casters
- Straps are included with Model 2436UTHS to secure heavy loads, especially during transport over rough terrain.
- All models have four each 5" (12,7 cm) heavy-duty, corrosion resistant casters, 2 fixed, 2 swivel, one w/ brake, that are bolted to molded-in metal plates, ensuring years of trouble-free service.
- No assembly required for Model 2436UTH and 2436UTHS. Simple assembly required for Model 2030UT.
- Available in 7 colors.

Item No. \_\_\_\_\_

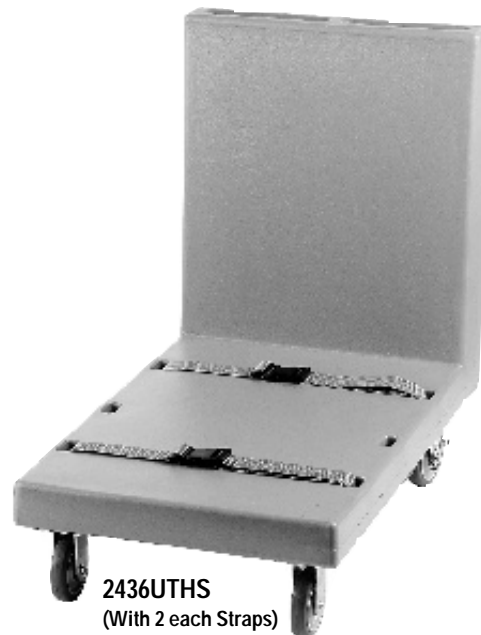
Specifier Identification No. \_\_\_\_\_

Model No. \_\_\_\_\_

Quantity \_\_\_\_\_



2030UT



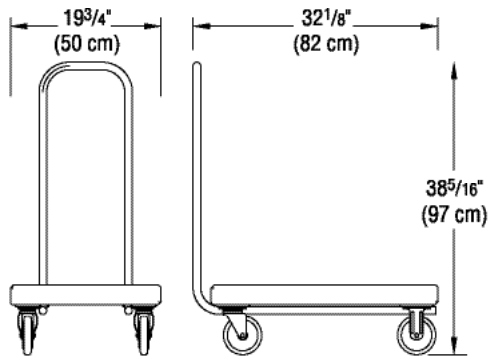
2436UTHS  
(With 2 each Straps)

# Utility Trucks

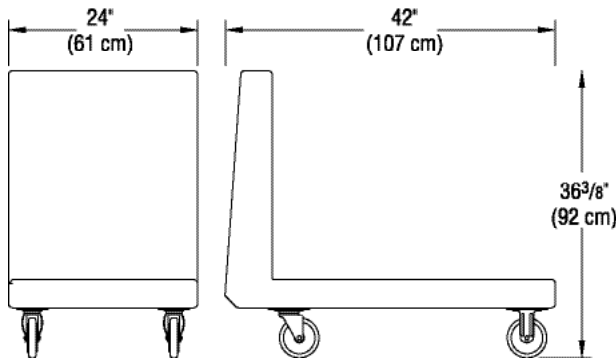
Models 2030UT, 2436UTH, 2436UTHS (With Straps)

Item No. \_\_\_\_\_

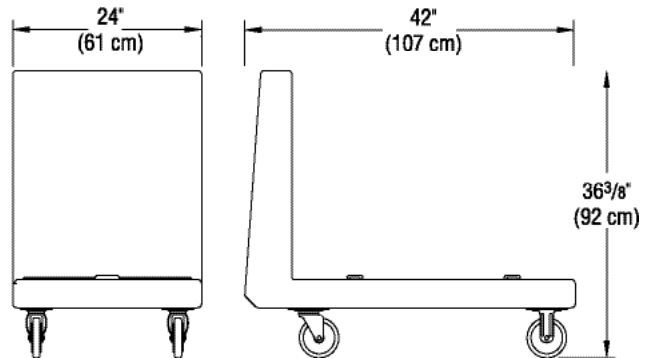
Specifier Identification No. \_\_\_\_\_



2030UT



2436UTH



2436UTHS (With Straps)

## Specifications

Dimension Tolerance: +/- 1/4" (0,64 cm)<sup>o</sup>

Code	Description	Handle	Platform Dimensions L x W	Exterior Dimensions L x W x H	Case lbs./cube Kg/m <sup>3</sup>
2030UT	Utility Truck	Chrome	29 7/8" x 19 3/4" (75 x 50 cm)	32 1/8" x 19 3/4" x 38 5/16" (82 x 50 x 97 cm)	32,75 (3,66) 15 (0,1)
2436UTH	Utility Truck	Molded-in	35 1/16" x 23 3/4" (91 x 60,5 cm)	42" x 24" x 36 3/8" (107 x 61 x 92 cm)	45 (22,93) 20,5 (0,64)
2436UTHS	Utility Truck With 2 Straps	Molded-in	35 1/16" x 23 3/4" (91 x 60,5 cm)	42" x 24" x 36 3/8" (107 x 61 x 92 cm)	46 (22,93) 21 (0,64)

## Architect Specs

The Utility Truck shall be a Utility Truck, Model..., manufactured by Cambro Mfg. Co., Huntington Beach, CA 92648 U.S.A. It shall have a large flat platform made of one-piece, seamless, double-wall, high-density, polyethylene and shall be injected with polyurethane foam. It shall be available with either molded-in handles or a chrome handle attached on the underside to all 4 casters. It shall be available with 2 straps. It shall have a maximum load capacity of 600 lbs. (272 Kg.). It shall have 4 each 5" (12,7 cm) swivel casters 2 fixed, 2 swivel, 1 w/ brake, that are bolted to molded-in metal plates. It shall require minimal assembly. It shall be available in 7 colors.

## Standard Colors

- Coffee Beige (157)
- Dark Brown (131)
- Black (110)
- Slate Blue (401)
- Gray (180)
- Brick Red (402)
- Green (519)