

Front Loading

For GN Food Pans

Model UPC400

Security Package

Model UPC400SP



Features & Benefits

- This large capacity Camcarrier easily handles storing and transporting food for any catering job, large or small, hot or cold foods.
- GN 1/1 Full Size Food Pan capacity:
2 each 8" (20 cm) deep, 3 each 6" (15 cm) deep
4 each 4" (10 cm) deep, or 6 each 2½" (6,5 cm) deep
- Tray Capacity (12 each):
12 each 12" x 20" (32,5 x 53 cm)
12 each 13" x 18" (33 x 45,7 cm)
- The insulated compartment will also hold multiple configurations of GN 1/2 and 1/3 size Food Pans.
- Store hot and cold foods in the same compartment with the use of the optional ThermoBarrier® Insulated Shelf Divider. Create a portable refrigerator by using the optional Camchiller®. No external power or ice required.
- Maintain hot food holding temperatures at higher levels and for longer when using two Camwarmers™ inside the compartment. (Hang onto bottom rail. Do not put in direct contact with unit.)
- Tough, one-piece seamless, double-wall, polyethylene construction is easy to maintain and won't dent, crack, rust, chip or break.
- Thick polyurethane foam insulated compartments and air tight gaskets help to retain food quality and temperatures without the use of external heat sources.
- Durable nylon door latches are easy to open and close securely to provide maximum temperature retention. Door swings open 270° to the side for easy loading and unloading.
- Pop-up vent allows steam to be released and keeps menu items from becoming soggy.
- Ergonomic molded-in handles are located on top sides to provide safe and easy lifting and transporting.
- Security Package models are ideal for correctional facility use: Tamper-resistant screws on latches, non-removable doors, locking hasp for padlocks (padlocks not included).
- Units interlock for easy stacking and transporting.
- Optional Camdolly® provides easy transport.
- Non-electrical.
- No assembly required.
- Available in 8 colors.

Item No. _____

Specifier Identification No. _____

Model No. _____

Quantity _____



UPC400
(Shown with Camchiller, ThermoBarrier and CD400 Camdolly)



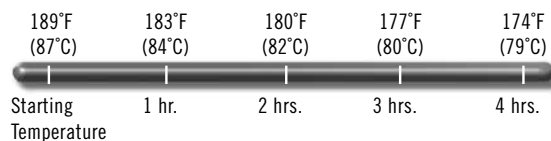
UPC400
(Shown with Camwarmer®)



Single latch opens and closes easily. Durable nylon construction.

Nylon hinge pins and hinge retainer clips allow you to easily remove and clean the door.

UPC400 Keeps Hot Food Hot for Hours!



Approvals



Camcarriers®

Item No. _____

Specifier Identification No. _____

Model No. _____

Quantity _____

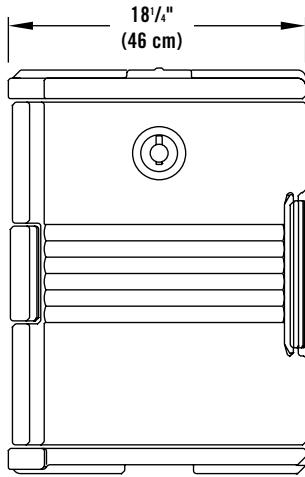
Front Loading

For GN Food Pans

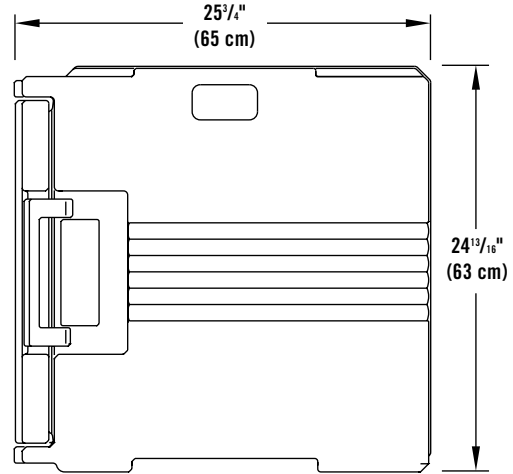
Model UPC400

Security Package

Model UPC400SP



UPC400



UPC400/UPC400SP

Specifications

Dimension Tolerance: +/- 1/4" (0,64 cm)

Code	Description	Approx. Capacity	Exterior Dimensions W x D x H	Case kg (Cube m³)
UPC400	Camcarrier	60 qts. (57 L)	18 ¹ / ₄ " x 25 ³ / ₄ " x 24 ¹³ / ₁₆ " (46 x 65 x 63 cm)	35 (7.19) 16 (0,2014)
UPC400SP	Camcarrier – Security Package	60 qts. (57 L)	18 ¹ / ₄ " x 25 ³ / ₄ " x 24 ¹³ / ₁₆ " (46 x 65 x 63 cm)	35 (7.19) 16 (0,2014)

Optional Accessories

- ThermoBarriers®** 400DIV – Gray (180)
- Camchiller®** CP1220 – Cold Blue (159)
- Camwarmer®** 1210PW – Granite Gray (191)
- Camdolly®** CD400 fits UPC400, UPC400SP
- Strap** 400STP

Standard Colors

- Black (110)
- Navy Blue (186)
- Granite Sand (194)
- Dark Brown (131)
- Granite Gray (191)
- Slate Blue (401)
- Coffee Beige (157)
- Granite Green (192)

Architect Specs

The non-electrical food service and transport front loading carrier shall be a Camcarrier, Model UPC400... manufactured by Cambro Mfg. Co., Huntington Beach, CA 92647 U.S.A. It shall be made of one-piece, seamless, double-wall, high-density, polyethylene. It shall have an insulated polyurethane foam-injected compartment. It shall have 12 each molded-in rails on 1 1/2" (3,8 cm) centers. It shall accommodate a variety of GN Full, Half or Third Size FoodPans, from 2 1/2" (6,5 cm) to 8" (20 cm) deep as well as 12 each 12" x 20" (32,5 x 53 cm) and 13" x 18" (33 x 45,7 cm) trays. It shall have a nylon door latch and an airtight gasket and the compartment door shall swing open 270° to the side. It shall have a pop-up vent on the outside of the door. It shall have ergonomic molded-in handles located on each of the sides. It shall be available with an optional tamper resistant security package for correctional facility use. UPC400SP shall have a non-removable door and a locking hasp. It shall require no assembly. It shall be available in 8 colors.

Approvals

