

Versa Work Table Ultra Series

5 Foot (152 cm) Models

VBRUT5 - with Standard Casters

VBRUTHD5 - with Heavy Duty Casters

6 Foot (183 cm) Models

VBRUT6 - with Standard Casters

VBRUTHD6 - with Heavy Duty Casters

Features & Benefits

- A stylish, non-electric, portable system with convenient storage.
- Use the multi-purpose Versa Work Table as a prep table or self-serve station merchandising snacks, beverages or condiments; keeps food or condiments cold for hours with or without ice, using optional Buffet Camchillers® with food pans or Coldfest® Food Pans and Crockers with pumps.
- Two separate storage compartments with lockable doors provide convenient storage for non-perishable items. Each compartment holds up to 50 lbs. (22,7 kg) and measures 17 ½" W x 21 ½" D x 18" H (44,5 x 54,6 x 45,7 cm). Doors swing open from outside to the middle for easy access from each end.
- Double-wall polyethylene construction with foam injected polyurethane provides extra strength and durability. Scratch-resistant textured exterior is easy to clean and will not crack, rust, chip or break.
- NSF listed threaded faucet drain with standard hose hook-up on underside of well can be used for quick and easy draining and cleaning.
- Choose from models with 4 each 6" x 1 ¼" (15,2 x 3,2 cm) standard swivel casters with brakes or 6" x 2" (15,2 x 5 cm) heavy duty swivel casters with brakes.
- Molded-in handle on each end offers stable maneuverability.
- Non-electrical.
- Versa Work Table includes matching well covers.
- No assembly required.
- Available in 5 colors.
- Optional accessories include Tray Rails, End Table, Straight and Corner Connectors, Buffet Camchiller, Divider Bars, GN Food Pans, Coldfest Crockers and Pans, Crockers with Pumps, Crock Holder and Vinyl Cover.
- Work Table best practices are available at www.cambro.com/schools.

Item No. _____

Specifier Identification No. _____

Model No. _____

Quantity _____



VBRUT5
Versa Work Table
with well covers



Approvals



Versa Work Table Ultra Series

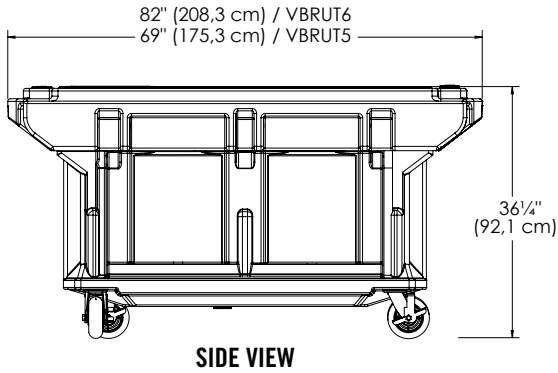
Models - VBRUT5, VBRUTHD5, VBRUT6, VBRUTHD6

Item No. _____

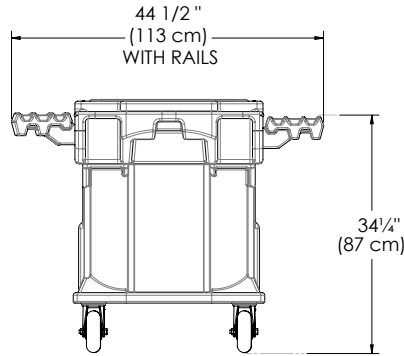
Specifier Identification No. _____

Model No. _____

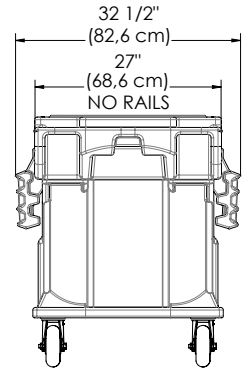
Quantity _____



SIDE VIEW



END VIEW -
w/Optional Tray Rails Up



END VIEW -
w/Optional Tray Rails Down

Specifications Dimension Tolerance: +/- 1/4" (0,64 cm)

Code	Description	GN 1/1 Full Size Food Pan Capacity	Exterior Dimensions L x W x H	Case lbs./cube Kg/m ³
VBRUT5	5 Foot (152 cm) Work Table – Standard Casters	4	69" x 27" x 36 1/4" (175,3 x 68,6 x 92,1 cm)	181.5 lbs (49.13) 82,3 Kg (1,35 m ³)
VBRUTHD5	5 Foot (152 cm) Work Table – Heavy Duty Casters	4	69" x 27" x 36 1/4" (175,3 x 68,6 x 92,1 cm)	190.5 lbs (49.13) 86,4 Kg (1,35 m ³)
VBRUT6	6 Foot (183 cm) Work Table – Standard Casters	5	82" x 27" x 36 1/4" (208,3 x 68,6 x 92,1 cm)	195.5 lbs (57.85) 88,7 Kg (1,59 m ³)
VBRUTHD6	6 Foot (183 cm) Work Table – Heavy Duty Casters	5	82" x 27" x 36 1/4" (208,3 x 68,6 x 92,1 cm)	204.5 lbs (57.85) 92,8 Kg (1,59 m ³)

Optional Accessories

Tray Rails

- VBRR5 - 5' (152 cm) Versa Work Tables
- VBRR6 - 6' (183 cm) Versa Work Tables

Divider Bars

- DIV12 - 12" (30,5 cm)
- DIV20 - 20" (50,8 cm)

Connectors

- VBRC90 - Corner Connector
- VBRC - Straight Connector

Vinyl Covers

- VBRTCVR5 - 5' (152 CM) Versa Work Tables
- VBRTCVR6 - 6' (183 CM) Versa Work Tables

Other Accessories

- CPB1220 - Buffet Camchiller®
- VBRTBL - End Table For All Versa Work Tables/ Food Bars
- CPH3 - Fits all Versa Food Bars / Work Tables and holds 3 Crocks

Visit www.cambro.com for details on all accessories.

Architect Specs

The non-electric, portable and modular Versa Work Table – ULTRA SERIES, shall be a Floor Model Work Table/Merchandising Self-Serve Station. Models VBRUT5, VBRUT6, VBRUTHD5, VBRUTHD6, manufactured by Cambro Mfg. Co., Huntington Beach, CA 92647 USA. It shall be made of double-wall polyethylene with foam-injected polyurethane. It shall have 4 or 5 well covers depending on the size of the Versa Work Table. The depth of the interior well shall be 6 1/2" (16,5 cm). Optional tray rails shall fold down to the sides to fit through 36" (91,5 cm) wide doorways and to minimize storage space requirements during non-use. It shall have molded-in handles on each end. It shall have 2 separate storage compartments with lockable doors that swing open from the outside to the middle. It shall have 4 each 6" x 1 1/4" (15,2 x 3,2 cm) swivel casters with brakes or heavy duty 6" x 2" (15,2 x 5 cm) swivel casters with brakes. It shall have an NSF listed threaded faucet drain with a standard hose hook up on the underside of the well. It shall be NSF listed and available in 5 colors. It shall require no assembly. It shall connect with other standard height Versa Food Bars, Versa Work Tables and/or Versa Carts using the optional Corner Connector or Straight Connector. Optional accessories shall include Tray Rails, End Table, Straight and Corner Connectors, Buffet Camchiller®, Divider Bars, GN Food Pans, Coldfest® Crocks and Pans, Crocks with Pumps, and Vinyl Cover.

Versa Work Table Colors

- Black (110)
- Kentucky Green (519)*
- Hot Red (158)*
- Bronze (146)*
- Navy Blue (186)*

*Made to order. Non-returnable.

Approvals

