

# STOCKING TRUCKS

Item No. \_\_\_\_\_

Quantity \_\_\_\_\_

Job Name \_\_\_\_\_

Spec No. \_\_\_\_\_

## U Boat Trucks

### STEEL CONSTRUCTION

- Extra strong (2500 lb. cap.) Grocery Warehouse Trucks are designed to easily maneuver heavy loads between aisles
- Removable high end handles
- All non marking abrasion resistant polyurethane wheels. Six wheel design, (2) rigid 8" wheels and (4) 4" swivel casters
- Protective powder coated finish
- Fully assembled and ready for use

## U Boat Trucks

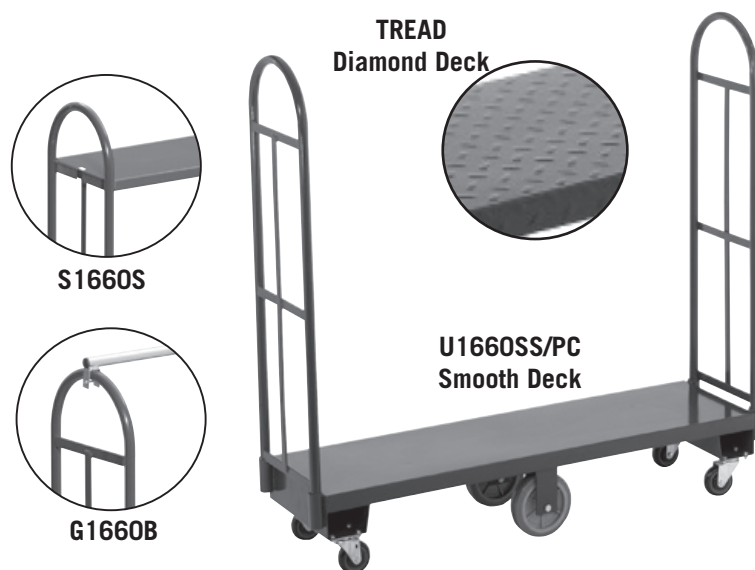
### STEEL CONSTRUCTION

- Extra strong (2000 lb. cap.)
- Removable high end handles
- Mold on rubber wheel, Caster design, (2) 6" rigid and (2) 6" swivel casters
- Protective powder coated finish

## Hand Trucks

### STEEL CONSTRUCTION

- Protective powder coated finish
- 5/8" solid axle
- Heavy duty 8-1/2" beveled nose plate.
- 550 lbs. load capacity



Model	Deck	H	W	D	Weight
U1648SS	Smooth	60"	16"	48"	85
U1660SS	Smooth	60"	16"	60"	105
U1648DS	Tread	60"	16"	48"	85
U1660DS	Tread	60"	16"	60"	105
S1660S	Removable Shelf				
G1660B	Removable Bar				



Model	Deck	H	W	D	Weight
PT2448	Smooth	35"	24"	50"	102
PT3060	Smooth	35"	30"	62"	142

Option: Corner Bumpers (2) (/022)

10 Semi-Pneumatic Wheel					
Model	Handle	H	W	Weight	
HTDP10	Dual Pin	46"	20"	34	

8" Mold on Rubber Wheel					
Model	Handle	H	W	Weight	
RHTDP8	Dual Pin	52"	18"	32	

