

### TRI-LEG, ELECTRIC KETTLES

STATIONARY, "SPASH PROOF SERIES", SELF-CONTAINED  
 2/3 STEAM JACKETED, 25, 40, 60, 80 or 100 GALLONS  
 (100, 150, 225, 300, or 375 LITERS)

- MODELS:**  KEL-25  KEL-60  
 KEL-30  KEL-80  
 KEL-40  KEL-100

#### Cleveland Standard Features

- Self-contained, easily installed - needs only an electrical hook-up
- Steam jacket filled with treated water, venting and/or refilling is not required
- Accurate, consistent solid state temperature controls (mechanical thermostat not as accurate) - less than  $\pm 1^\circ\text{C}$  variance (ideal for simmering). Operating temperature range from 145° - 260°F (63°C - 127°C)  
 Control panel includes:  
 • LED indicator for heat cycle • LED indicator for low water  
 • Power ON/OFF switch • Adjustable temperature control dial
- Water resistant controls, splash-proof construction
- Re-inforced rolled rim design prevents damage to kettle rim, eliminates "bar rim designs"
- Welded-in heating elements, (holds vacuum better, won't leak or loose water)
- Easily cleaned: kettle and all exterior surfaces are of type 304 stainless steel with an #4 finish
- Rear mounted easy access pressure gauge and pressure relief valve to prevent tampering. Color coded easy to read pressure gauge with "green" and "vent air zone"
- 50 psi steam jacket rating for higher cooking temperatures
- 50 psi safety valve
- Solid state water level control (no sight glass gauge to break or leak)
- Splash proof element cover with a double gasket seal
- Faucet mounting bracket
- 2" diameter tangent draw-off valve with drain strainer
- 1 5/8" O.D. tri-leg supports with level adjustable feet for floor bolting
- Spring-assisted, hinged, rotatable, domed stainless steel cover
- Standard voltage is 208-240 volts, 60 Hz, 3-phase, 3-wire
- Typical approvals include UL., CSA, CE, NSF and ASME

#### Options & Accessories

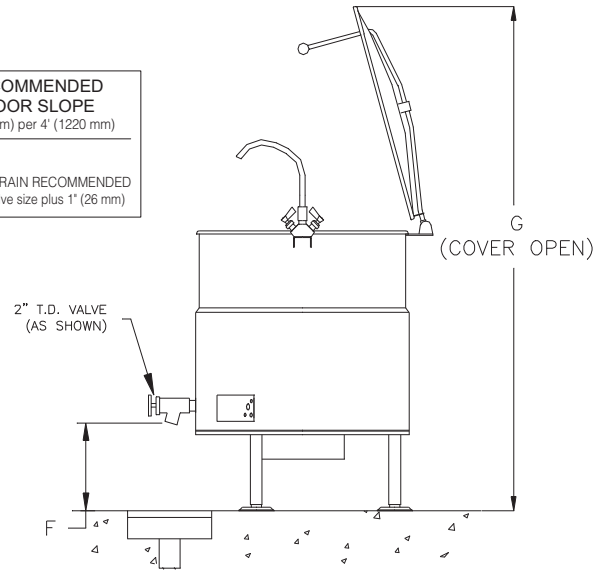
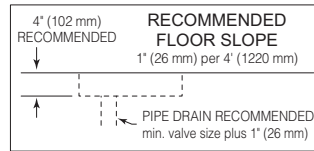
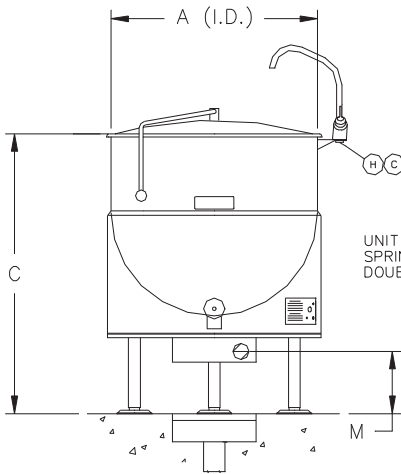
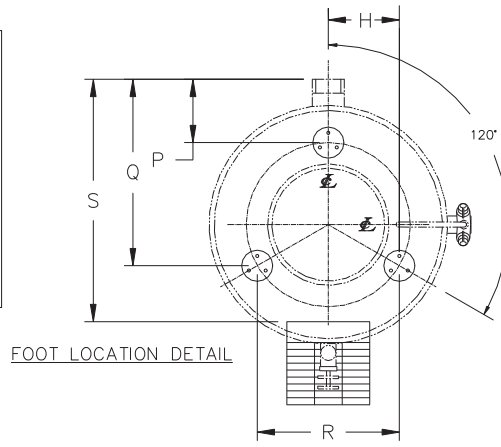
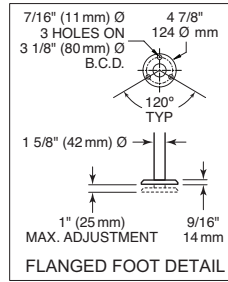
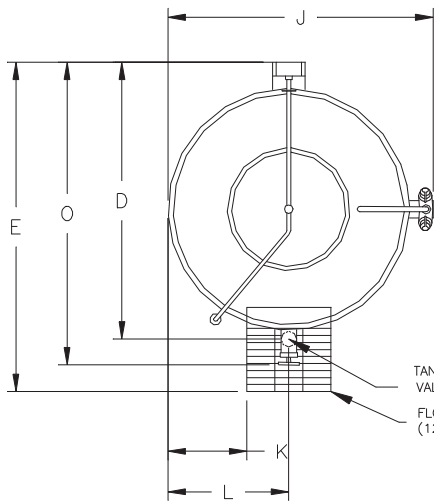
- Hot and Cold Water Faucet with Swing Spout (DPK)
- Type 316 Stainless Steel Kettle Liner for high acid food products (316)
- Cooking Baskets and Tri-Basket Supports (BS and TBS)
- Kettle Accessory Kit (KAK) includes:
  - Clean-up Brush (CB)  36" Kettle Paddle (KP)
  - 36" Kettle Whip (KW)  36" Kettle Brush (KB)
  - Draw-off Brush (DB)  24 oz. Ladle (KL)
- Automatic Water Meter (GMF or LMF)
- Water Meter Stand (SWM)
- Lift-off Covers (CL)
- Drain Strainers (DS-)
- Measuring Strip (MS)
- Kettle Markings (KM)



#### Short Form Specifications

Shall be CLEVELAND, Electric Kettle, Tri-leg mounted, self-contained, stationary, Model KEL - \_\_\_\_ gallons, 2/3 Steam Jacketed. Type 304 Stainless Steel Kettle and Supports. Rated 50 psi with Safety Valve; Permanently filled Steam Jacket. Spring-assisted Domed Cover. (Provide 1.50" Freeboard above batches of rated size.) Splash Proof Solid State Temperature ( $\pm 1^\circ\text{C}$ ) and Safety Control System in plug-in Module including L.E.D. indicators. Base Mounted for Floor Bolting with three (3), tri-bolt flanges. 2" diameter Tangent Draw-off Valve.

- Hot and cold or cold only Kettle Filler with 60" Hose (DKF-K or SKF-K)
- Swing Funnels for drain (SF)
- Alternate Mounting Systems
- High Wattages and Special Voltages
- 3" diameter Tangent Draw-Off Valve w/Strainer (TD3)
- Heat Deflector Shield (HS001)
- Correctional Packages
- Insulated Outer Jacket (IOJ)



## DIMENSIONS

		A	C	D	E	F	G	H	J	K	L	M	N	O	P	Q	R	S
25/	IN	21	36 3/4	21 7/8	34	13 7/8	60 3/4	17 7/8	29 7/8	5 1/4	11 1/4	9 3/4	7 1/2	26 3/4	4 5/8	20	15 1/2	22 3/8
100	mm	534	934	556	864	353	1544	455	759	134	286	248	191	680	118	508	394	569
30/	IN	24	38	24 7/8	37	15 5/8	65 1/4	20 7/8	28 3/4	6 3/4	12 3/4	11 1/2	9 1/4	29 3/4	4 5/8	20 1/4	18 1/8	25 3/8
115	mm	610	966	632	940	397	1658	531	731	172	324	299	239	756	118	515	461	645
40/	IN	26	40	29 1/8	40	15 1/8	69 1/2	22 7/8	30 3/4	7 3/4	13 3/4	11	8 3/4	34	4 5/8	21 3/4	19 7/8	28 5/8
150	mm	661	1016	740	1016	385	1766	582	782	197	350	280	223	864	118	553	505	728
60/	IN	29 1/2	43	33	44	14 5/8	75 3/4	26 3/8	34 1/4	9 1/2	15 1/2	10 1/2	8 1/4	37 7/8	5 1/8	27 1/2	22 7/8	32 1/2
225	mm	750	1093	839	1118	372	1925	670	870	242	394	267	210	963	131	699	582	826
80/	IN	33	43 1/2	36 5/8	47	13	79 1/2	29 7/8	37 3/4	11 1/4	17 1/4	9	6 3/4	41 1/2	5 1/8	29 3/8	25 7/8	35 7/8
300	mm	839	1105	931	1194	331	2020	759	959	286	439	229	172	1055	131	747	658	912
100/	IN	35 1/2	45	39 1/4	50	12 1/2	83 3/8	32 3/8	40 1/4	12 1/2	18 1/2	8 1/2	6 1/4	44 1/8	5 1/8	5 1/8	28	38 3/8
375	mm	902	1144	997	1270	318	2118	823	1023	318	470	216	159	1121	131	131	712	975

## STANDARD WATTAGE

		208V			240V			415V			480V		
		AMPS AMPS			AMPS AMPS			AMPS AMPS			AMPS AMPS		
GALS. LITERS	KW	1PH	3PH	KW	1PH	3PH	KW	1PH	3PH	KW	1PH	3PH	
25 100	9.8	47.2	27.2	13.1	54.4	31.4	12.1	29.0	16.7	13.1	27.2	15.7	
30 115	12.3	59.0	34.1	16.3	68.1	39.3	15.1	36.2	20.9	16.3	34.0	19.6	
40 150	14.7	70.8	40.9	19.6	81.7	47.1	18.1	43.5	25.1	19.6	40.8	23.6	
60 225	14.7	70.8	40.9	19.6	81.7	47.1	18.1	43.5	25.1	19.6	40.8	23.6	
80 300	14.7	70.8	40.9	19.6	81.7	47.1	18.1	43.5	25.1	19.6	40.8	23.6	
100 375	14.7	70.8	40.9	19.6	81.7	47.1	18.1	43.5	25.1	19.6	40.8	23.6	

## HIGH WATTAGE

		208V			240V			415V			480V		
		AMPS AMPS			AMPS AMPS			AMPS AMPS			AMPS AMPS		
GALS. LITERS	KW	1PH	3PH	KW	1PH	3PH	KW	1PH	3PH	KW	1PH	3PH	
25 100	14.7	70.8	40.9	19.6	81.7	47.1	18.1	43.5	25.1	19.6	40.8	23.6	
30 115	19.6	NA	54.5	26.1	NA	62.9	24.1	58.0	33.5	26.1	54.4	31.4	
40 150	24.5	NA	68.1	32.7	NA	78.6	30.1	72.5	41.8	32.7	68.1	39.3	
60 225	29.4	NA	81.7	39.2	NA	94.3	36.2	87.0	50.2	39.2	81.7	47.1	
80 300	29.4	NA	81.7	39.2	NA	94.3	36.2	87.0	50.2	39.2	81.7	47.1	
100 375	29.4	NA	81.7	39.2	NA	94.3	36.2	87.0	50.2	39.2	81.7	47.1	

Consult factory for other voltages.

## NOTES:

Cleveland Range reserves right of design improvement or modification, as warranted.

Many regional, state and local codes exist and it is the responsibility of the owner and installer to comply with the codes.

Cleveland Range equipment is built to comply with applicable standards for manufacturers. Included among those approval agencies are U.L., NSF, CGA, CSA, ETL and others.

CAPACITIES:	
(in 8 oz. servings, other sizes may be calculated)	
25 Gallon / 100 liters	.....400 servings
30 Gallon / 110 liters	.....480 servings
40 Gallon / 150 liters	.....640 servings
60 Gallon / 225 liters	.....960 servings
80 Gallon / 300 liters	.....1280 servings
100 Gallon / 375 liters	.....1600 servings

## CLEARANCE

RIGHT = 0  
LEFT = 0  
REAR = 0

Allow 12" minimum on right side for servicing.

## SHIPPING WEIGHT (LBS.)

KEL-25	= 230
KEL-30	= 264
KEL-40	= 289
KEL-60	= 361
KEL-80	= 400
KEL-100	= 430

## WATER

3/8" O.D. copper tube or  
1/2" N.P.T. pipe.

When ordered with optional faucet.