

REACH-IN FREEZER (0°F)

Model: 2F

2-Section Reach-In Freezer



ENERGY STAR® Qualified Commercial Freezer

- 2F** - Stainless steel front, aluminum end panels and interior
- 2F-SA** - Stainless steel exterior, aluminum interior
- 2F-SS** - Stainless steel exterior and interior



Options and Accessories

(upcharge and lead times may apply)

Stainless steel case back	Pan slide assemblies
Additional epoxy-coated steel shelves	Pass-Thru
Chrome or stainless steel shelves	Shallow depth
Heavy-duty pilaster strips	Hinged glass doors
Rehinging of doors (consult factory)	Increased refrigeration systems
Expansion valve system	Special electrical req. (consult factory)
Adjustable legs	Correctional Facility Options
Digital thermometer	• One way security screws
Remote models	• Locking hasp (lock not included)
Custom laminates	• Stainless steel mesh cover
Half doors	• Coverless hinges

Consult factory for other model configurations, options and accessories.

Continental
Refrigerator

Toll-Free: 800-523-7138
Phone: 215-244-1400
Fax: 215-244-9579

539 Dunksferry Road
Bensalem, PA 19020
www.continentalrefrigerator.com

Project Name:

Model Specified:

Location:

Item No:

Quantity:

AIA #:

SIS #:

Standard Model Features

REFRIGERATION SYSTEM

- Environmentally-safe R-404A refrigerant
- Self contained, performance-rated refrigeration system
- Automatic, electric condensate evaporator

CABINET ARCHITECTURE

- 3" non-CFC polyurethane foam insulation
- Chrome-plated flow line handles
- Cam action, lift off hinges
- Self-closing doors
- Magnetic snap-in door gaskets
- Cylinder lock in doors
- Heavy-duty, epoxy-coated steel shelves
- 5" casters

MODEL FEATURES

- Automatic interior lighting
- External dial thermometer
- Energy saving switch for door heaters
- Automatic electric defrost

APPROVAL:

Model Specifications

DIMENSIONAL DATA

Net Capacity (cu. ft.)	48 (1359 cu l)
Width, Overall (in.)	52 (1321 mm)
Depth, Overall (incl. handles) (in.)	35 3/8 (899 mm)
Depth [less doors] (in.)	32 (813 mm)
Depth [doors open 90°] (in.)	55 1/2 (1410 mm)
Clear Door Width (in.)	19 3/8 (492 mm)
Clear Door Height (in.)	58 5/8 (1489 mm)
Height, Overall (incl. 5" casters) (in.)	82 1/4 (2096 mm)
No. of Door(s)	2
No. of Shelves	6
Shelf Area (sq. ft.)	40.8 (3.8 sq m)
Tray Slide Capacity (per section)	16 ea.

REFRIGERANT DATA

Condensing Unit Size (H.P.)	1/2
Capacity (BTU/Hr)*	2470

ELECTRICAL DATA

Voltage (int'l)	115/60/1 (220/50/1)
Feed Wires (incl. ground)	3
Total Amps (int'l)	9.8 (4.5)
Defrost Amps (int'l)	6.5 (3.3)
10 ft. Cord/Plug [attached] (int'l)	Yes (No)

SHIPPING DATA

Height - Crated (in.)	85 1/2 (2172 mm)
Width - Crated (in.)	64 (1626 mm)
Depth - Crated (in.)	42 (1067 mm)
Volume - Crated (cu. ft.)	133 (3766 cu l)
Weight Std - Crated (lbs.)	555 (252 kg)
Weight SS - Crated (lbs.)	635 (288 kg)
Weight Std - Uncrated (lbs.)	385 (175 kg)
Weight SS - Uncrated (lbs.)	465 (211 kg)

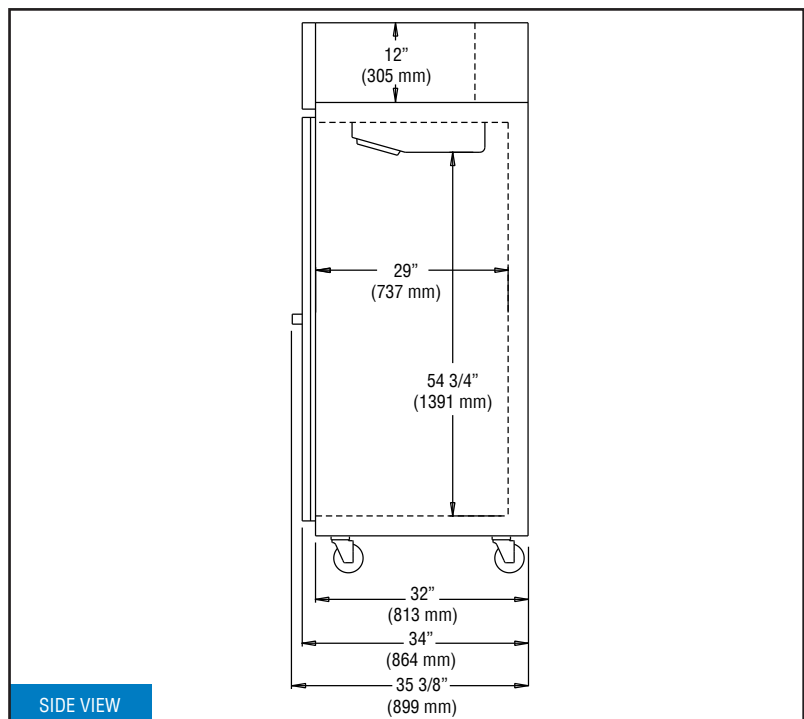
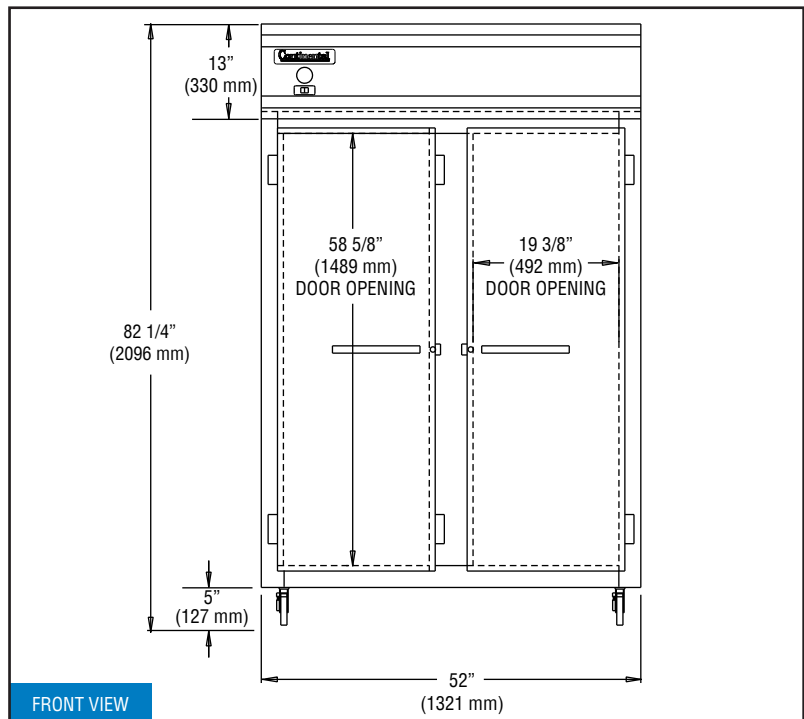
* Rating @ -15°F evaporator, 90°F ambient

Figures in parentheses reflect metric equivalents rounded to the nearest whole unit.



Equipped with one NEMA-5-15P Plug
(varies by country)

Model Plan Views



IMPORTANT NOTE: If the cabinet is located directly against a wall and/or under a low ceiling, a minimum clearance of 12" is required.

Continental
Refrigerator

Toll-Free: 800-523-7138
Phone: 215-244-1400
Fax: 215-244-9579

539 Dunkserry Road
Bensalem, PA 19020
www.continentalrefrigerator.com

Due to our continued efforts in developing innovative products, specifications subject to change without notice.



MADE IN THE U.S.A.

© Copyright 2014. Continental Refrigerator.
A Division of National Refrigeration & Air Conditioning Products, Inc.