

DESIGNER LINE SLIM LINE REFRIGERATOR

Model: DL2RSE-HD

2-Section Slim Line Reach-In Refrigerator with Half Doors

DL2RSE-HD - Stainless steel front, aluminum end panels and interior
DL2RSE-SA-HD - Stainless steel exterior, aluminum interior
DL2RSE-SS-HD - Stainless steel exterior and interior



Designer Line

Options and Accessories

(upcharge and lead times may apply)

| | |
|---------------------------------------|---|
| Stainless steel case back | Pass-Thru |
| Additional epoxy-coated steel shelves | Shallow depth |
| Chrome or stainless steel shelves | Hinged glass doors |
| Expansion valve system | Increased refrigeration systems |
| Wine display | Special electrical req. (consult factory) |
| Casters | Correctional Facility Options |
| Dial thermometer | • One way security screws |
| Remote models | • Locking hasp (lock not included) |
| Custom laminates | • Stainless steel mesh cover |
| Full doors | • Coverless hinges |

Consult factory for other model configurations, options and accessories.

Continental
Refrigerator

Toll-Free: 800-523-7138
 Phone: 215-244-1400
 Fax: 215-244-9579

539 Dunksferry Road
 Bensalem, PA 19020
www.continentalrefrigerator.com

Project Name:

Model Specified:

Location:

Item No:

Quantity:

AIA #:

SIS #:

Standard Model Features

REFRIGERATION SYSTEM

Environmentally-safe R-134a refrigerant

Self contained, performance-rated "plug" refrigeration system

Refrigeration system is readily accessible on top of cabinet, separate from the "food zone" to increase storage capacity

Automatic, hot gas condensate evaporator

CABINET ARCHITECTURE

3" non-CFC polyurethane foam insulation

Chrome-plated flow line handles

Cam action, lift off hinges

Self-closing doors

Magnetic snap-in door gaskets

Cylinder lock in door

Heavy-duty, epoxy-coated steel shelves

Adjustable 6" stainless steel legs

MODEL FEATURES

Automatic interior lighting

External digital thermometer

Energy saving switch for door heaters

Unique air duct system for optimum air flow

Cabinet upper side panels and refrigeration "plug" system can be easily removed and reinstalled at job site

APPROVAL:

Model Specifications

DIMENSIONAL DATA

| | |
|---------------------------------------|------------------|
| Net Capacity (cu. ft.) | 30 (850 cu l) |
| Width, Overall (in.) | 36 1/4 (921 mm) |
| Depth, Overall (incl. handles) (in.) | 35 3/8 (899 mm) |
| Depth [less doors] (in.) | 32 (813 mm) |
| Depth [doors open 90°] (in.) | 48 1/2 (1232 mm) |
| Clear Door Width (in.) | 12 7/8 (327 mm) |
| Clear Half Door Height (in.) | 27 1/2 (699 mm) |
| Height, Overall (incl. 6" legs) (in.) | 83 1/4 (2115 mm) |
| No. of Half Doors | 4 |
| No. of Shelves | 3 |
| Shelf Area (sq. ft.) | 24.4 (2.3 sq m) |

REFRIGERANT DATA

| | |
|-----------------------------|------|
| Condensing Unit Size (H.P.) | 1/4 |
| Capacity (BTU/Hr)* | 1940 |

ELECTRICAL DATA

| | |
|-------------------------------------|---------------------|
| Voltage (int'l) | 115/60/1 (220/50/1) |
| Feed Wires (incl. ground) | 3 |
| Total Amps (int'l) | 5.7 (3.7) |
| 10 ft. Cord/Plug [attached] (int'l) | Yes (No) |

SHIPPING DATA

| | |
|------------------------------|------------------|
| Height - Crated (in.) | 85 1/2 (2172 mm) |
| Width - Crated (in.) | 42 (1067 mm) |
| Depth - Crated (in.) | 42 (1067 mm) |
| Volume - Crated (cu. ft.) | 84 (2379 cu l) |
| Weight Std - Crated (lbs.) | 430 (195 kg) |
| Weight SS - Crated (lbs.) | 490 (222 kg) |
| Weight Std - Uncrated (lbs.) | 330 (150 kg) |
| Weight SS - Uncrated (lbs.) | 390 (177 kg) |

* Rating @ +25°F evaporator, 90°F ambient
 Figures in parentheses reflect metric equivalents rounded to the nearest whole unit.



Equipped with one NEMA-5-15P Plug
 (varies by country)

Continental

Refrigerator

Toll-Free: 800-523-7138
 Phone: 215-244-1400
 Fax: 215-244-9579

539 Dunksferry Road
 Bensalem, PA 19020
www.continentalrefrigerator.com

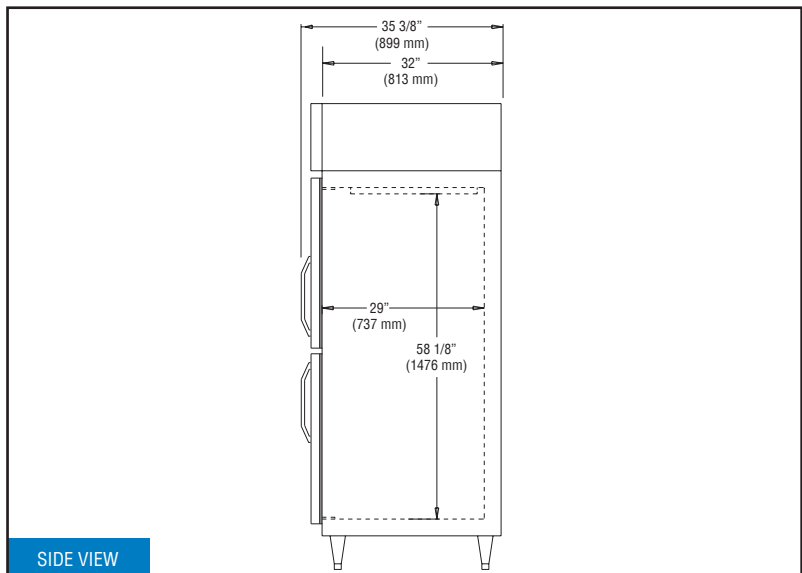
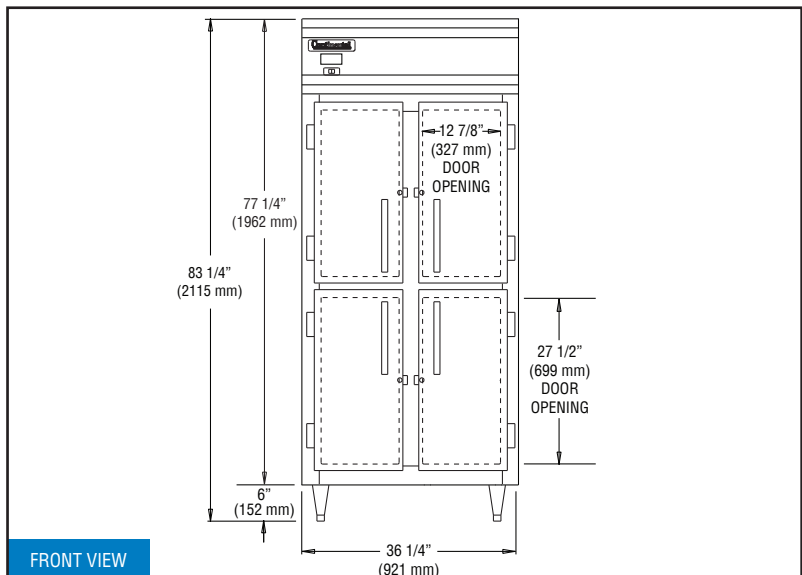
Due to our continued efforts in developing innovative products, specifications subject to change without notice.



MADE IN THE U.S.A.

© Copyright 2013. Continental Refrigerator.
 A Division of National Refrigeration & Air Conditioning Products, Inc.

Model Plan Views



IMPORTANT NOTE: If the cabinet is located directly against a wall and/or under a low ceiling, a minimum clearance of 12" is required.

REFRIGERATION SYSTEM

A "performance rated", air-cooled, hermetically sealed, capillary-type refrigeration system is installed on the top of each refrigerator. Plasticized fin coil and air circulation fans are contained within a concealed "plug"-type insulated housing, readily accessible on top of the cabinet and separate from the food zone to increase food storage capacity. The entire "plug" system is fully charged with environmentally safe R-134a refrigerant and mounted on a sturdy steel, rail-type base which can be easily removed if freezer conversion is desired. Refrigerators are designed to maintain 38°F-40°F (3°-5° Centigrade) while operating with an unrestricted air supply in a maximum ambient temperature of 100°F. All condensate water is evaporated by an automatic, non-electric, corrosion-resistant condensate evaporator. A strict quality-assurance team inspects all materials and components to certify that each model conforms to the most exacting standards. All models are factory performance-tested for a minimum of 16 hours prior to crating.

INSULATION

All cabinet walls, top and bottom have high density, foamed-in-place, non-CFC polyurethane insulation.

SHELVING

Shelves are designed for heavy-duty use with .306" diameter frame and brace members and .140" diameter fill wires spaced 3/4" apart. Shelves are welded steel and epoxy-coated for a durable, long, rust-free service life. Adjustments are in 1 inch increments and will accommodate 12 x 20 pans.

CABINET CONSTRUCTION

All materials are of top quality, assembled to conform with strict quality-assurance requirements. The cabinet front is constructed of heavy-gauge polished stainless steel for durability. All cabinet joints and seams are sealed vapor-tight. Case is of all metal, welded construction and internally supported and braced for a rigid unit construction. Cabinet design eliminates overlapping panels with raw edges. Cabinet body is insulated with non-CFC, foamed-in-place polyurethane foam with an average thickness of 3 inches to ensure increased energy efficiency. Full-length louvered air grille located above the doors allows equal air circulation to the condensing unit. Easily removable, low-wattage, anti-sweat door heaters concealed by a non-metallic, non-conductive, high-impact thermal breaker strip eliminates condensate build-up on the cabinet front. Automatic interior lighting is activated by an easily accessible interior switch. Cabinet is equipped with 6 inch adjustable stainless steel legs.

DOOR CONSTRUCTION

Solid hinged door shells are constructed of heavy-gauge stainless steel and are internally braced and urethane-foam-insulated for rigidity. Door corners are welded construction and polished. Replaceable snap-in door gaskets are self-adjusting, heavy-duty, magnetic type. Door handles and hinges are chrome-plated and non-corrosive. Doors are provided with built-in cylinder lock. Hinges are cam action, lift-off type featuring positive safety stop at 120 degrees.