

# FORCED AIR MILK COOLERS

## Model: MC4-SS-S

### 49" Forced Air Milk Cooler Single Access

Stainless steel exterior and interior, heavy-duty stainless steel lid, door hinges and latches with reinforced stainless steel floor. **Designed to keep milk cold during serving.**



#### Options and Accessories

(upcharge and lead times may apply)

Wrap around bumpers	Color laminate
Corner bumpers	Powder coating
Foot pedal floor lock	Digital thermometer
Adjustable legs	Dual access

Consult factory for other model configurations, options and accessories.

Project Name:

Model Specified:

Location:

Item No:

Quantity:

AIA #:

SIS #:

#### Standard Model Features

##### REFRIGERATION SYSTEM

Forced air, performance-rated refrigeration system  
 Environmentally-safe R-134a refrigerant  
 Easily serviceable, bottom-mounted compressor  
 Built-in, electric condensate evaporator

##### CABINET ARCHITECTURE

2" high density, non-CFC polyurethane foamed-in-place insulation  
 Snap-in lid and door gasket  
 Non-corrosive, heavy-duty, epoxy-coated steel wire floor racks  
 Door cylinder security lock  
 5" swivel casters w/ front locking brakes

##### MODEL FEATURES

Exterior-mounted dial thermometer  
 Floor drain  
 Unique forced air flow curtain

**Continental**  
Refrigerator

Toll-Free: 800-523-7138  
 Phone: 215-244-1400  
 Fax: 215-244-9579

539 Dunksferry Road  
 Bensalem, PA 19020  
[www.continentalrefrigerator.com](http://www.continentalrefrigerator.com)

APPROVAL:

## Model Specifications

### DIMENSIONAL DATA

Net Capacity (cu. ft.)	20.0 (566 cu l)
Crate Capacity (13" x 13" x 11")	12
Crate Capacity (19" x 13" x 11")	8
Width, Overall (in.)	49 (1245 mm)
Depth, Overall (in.)	33 (838 mm)
Height, Overall (in.) (incl. 5" casters)	47 (1194 mm)

### REFRIGERANT DATA

Condensing Unit Size (H.P.)	1/3
Capacity (BTU/Hr)*	2620

### ELECTRICAL DATA

Voltage (int'l)	115/60/1 (220/50/1)
Total Amps (int'l)	6.7 (3.9)
10 ft. Cord/Plug [attached] (int'l)	Yes (No)

### SHIPPING DATA

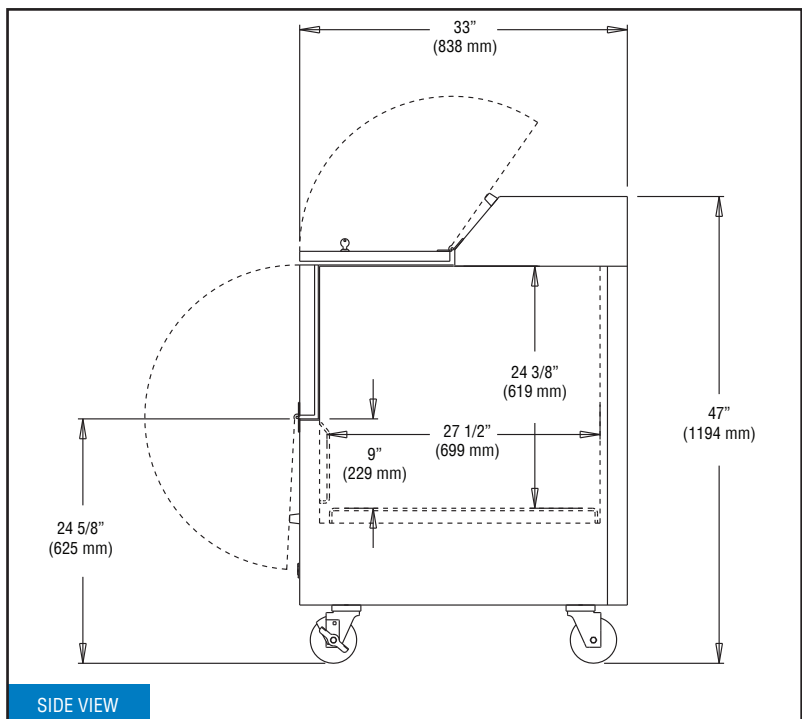
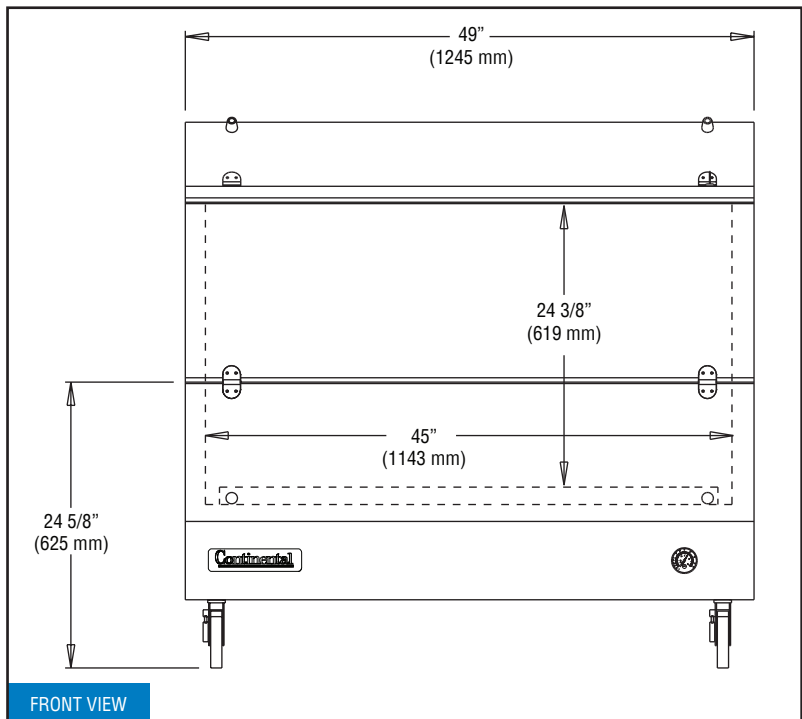
Weight (lbs.)	470 (213 kg)
Height - Crated (in.)	56 1/4 (1429 mm)
Width - Crated (in.)	58 1/4 (1480 mm)
Depth - Crated (in.)	36 1/2 (927 mm)

\* Rating @ +25°F evaporator, 90°F ambient  
 Figures in parentheses reflect metric equivalents rounded to the nearest whole unit.



Equipped with one NEMA-5-15P Plug  
 (varies by country)

## Model Plan Views



# Continental

Refrigerator

Toll-Free: 800-523-7138  
 Phone: 215-244-1400  
 Fax: 215-244-9579

539 Dunkserry Road  
 Bensalem, PA 19020  
[www.continentalrefrigerator.com](http://www.continentalrefrigerator.com)

Due to our continued efforts in developing innovative products, specifications subject to change without notice.



MADE IN THE U.S.A.

© Copyright 2015. Continental Refrigerator.  
 A Division of National Refrigeration & Air Conditioning Products, Inc.