

PROJECT NAME: _____

LOCATION: _____

SPECIFIER ITEM NO. _____ **QTY:** _____

ENCORE PART NO. _____

Encore® Floor Drain
D34-4x6x Series

D34-4161 2" NPSM & 1-1/2" NPT
 D34-4060 2-1/2" NPSM & 2" NPT



Solid heavy duty drain is specification and commercial quality

Commercial Quality Features

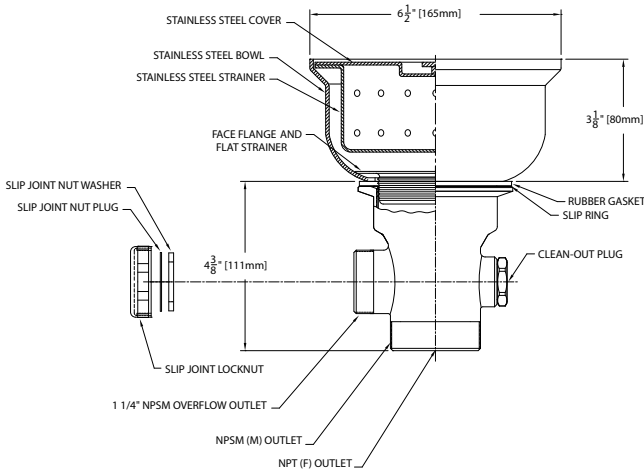
- Stainless steel basket assembly
- Multiple strainer
- Removable basket
- Easy cleanout
- Normal servicing prevents clogging; eliminates costly plumbing repairs
- Flow rate up to 20 gallons per minute

SPECIFICATIONS:

Floor type open drain to be Encore D34 Series in the following configuration:

- _____ D34-4161 2" NPSM & 1-1/2" NPT
- _____ D34-4060 2-1/2" NPSM & 2" NPT

Drain to be nickel plated cast brass construction with threaded waste outlet. Heavy duty basket assembly fits a 6-1/2" floor opening. Basket assembly comes complete with a stainless steel bowl, strainer basket and cover, secured to the top of the drain by a self-centering stainless steel face flange with snap-in stainless steel strainer. Drain is designed for trouble-free fast drainage. Strainer basket to be easily removed for cleaning. Backup strainer cover at the bottom of the bowl is designed to catch any remaining debris from clogging the drain.



Dimensions shown in inches (mm) are for reference only and are subject to change.

Approximate shipping weight - 6 lbs