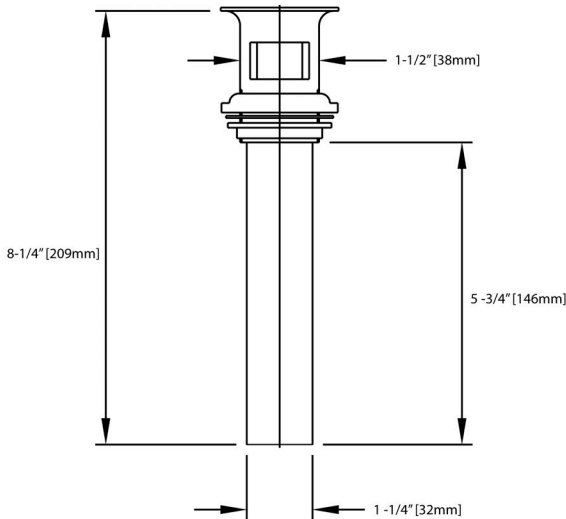
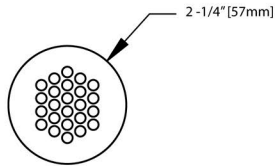


Encore<sup>®</sup> Grid Drain  
**D83-4151-T**



Dimensions shown in inches (mm) are for reference only and are subject to change.

Approximate shipping weight - 2 lbs  
Warranty - 2 years parts

Solid heavy duty cast body is specification and commercial quality

**Commercial Quality Features**

- Chrome plated cast brass drain body

**SPECIFICATIONS:**

Lavatory grid drain to be Encore D83-4151-T.

Drain shall be chrome plated, polished cast brass with grid strainer body. Outlet shall be 17 gauge, 1-1/4" OD seamless tubular tailpiece, polished and chrome plated. A mounting hardware kit consisting of a rubber basin seal, friction washer and brass locknut is included. Drain to be incorporated with SANIGUARD<sup>®</sup> treatment.

