

PROJECT NAME: _____

LOCATION: _____

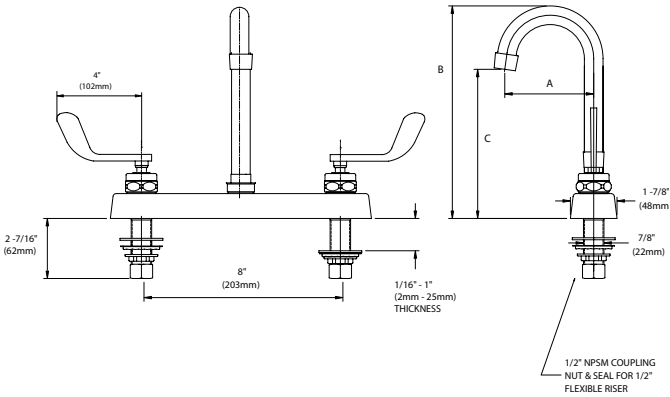
SPECIFIER ITEM NO. _____ **QTY:** _____

ENCORE PART NO. _____

Encore® 8" (203mm) Deck Mount Faucet with Rigid Gooseneck Spout and 4" Wrist Blade Handles

KL41-8x0x-RE4 Series

- KL41-8100-RE4 3" spout, ceramic valves
- KL41-8000-RE4 3" spout, compression valves
- KL41-8101-RE4 8" spout, ceramic valves
- KL41-8001-RE4 8" spout, compression valves
- KL41-8102-RE4 6" spout, ceramic valves
- KL41-8002-RE4 6" spout, compression valves



Dimensions shown in inches (mm) are for reference only and are subject to change.

1/2" NPSM Male Inlets
 Operating Temperature: 40-180°F (5-83°C)
 Operating Pressure: 15-125psi
 Note: 1-1/8" (29mm) holes for deck are recommended to accommodate 1/2" supply nipples

Approximate shipping weight - 5 lbs
 Warranty - 2 years parts

Solid heavy duty cast body is specification and commercial quality.

Commercial Quality Features

- Rigid gooseneck spout design
- ADA-compliant 4" wrist blade handles
- Built-in check valves to prevent cross-flow and back-flow
- Stainless steel spout

SANIGUARD® Product Protection

- Permanently incorporated on all touch points of Encore plumbing fixtures
- Inorganic, silver ion technology inhibits growth of common bacteria, yeasts, mold and fungi, minimizes cross-contamination

SPECIFICATIONS:

Deck Mount Faucet to be Encore KL41 Series in the following configuration:

- _____ KL41-8100-RE4 3" spout, ceramic valves
- _____ KL41-8000-RE4 3" spout, compression valves
- _____ KL41-8101-RE4 8" spout, ceramic valves
- _____ KL41-8001-RE4 8" spout, compression valves
- _____ KL41-8102-RE4 6" spout, ceramic valves
- _____ KL41-8002-RE4 6" spout, compression valves

Faucet body to be constructed of polished chrome plated brass with total lead content less than 0.25% by weighted average. 4" wrist blade handles to be incorporated with SANIGUARD treatment. Supply inlets to be 8" on center. Valves to be 1/4-turn with integral check valve to prevent cross-flow and back-flow. Spout to be stainless steel rigid gooseneck style. Color coded temperature indexes shall meet international standards. 2.2gpm aerator @ 60psi standard with full flow stream bubbler screen spout tip.

Model No.	A	B	C
KL41-8100-RE4	3-1/2" (89 mm)	8-5/16" (211mm)	6-1/16" (154mm)
KL41-8000-RE4	3-1/2" (89 mm)	8-5/16" (211mm)	6-1/16" (154mm)
KL41-8101-RE4	8-1/2" (216mm)	12-1/16" (306mm)	6-5/16" (106mm)
KL41-8001-RE4	8-1/2" (216mm)	12-1/16" (306mm)	6-5/16" (106mm)
KL41-8102-RE4	6" (152mm)	9-3/16" (233mm)	5-1/2" (140mm)
KL41-8002-RE4	6" (152mm)	9-3/16" (233mm)	5-1/2" (140mm)

For a complete list of available options for KL41-8000 Series, see product configurator on reverse.



COMPLIES WITH:
 THE FEDERAL "REDUCTION OF LEAD IN DRINKING WATER ACT" -
 2011 - US SENATE BILL NO. S.3874
 NSF/ANSI 61/9, ANNEX G



KL41-8x0x-RE4 Series



1890 Swarthmore Avenue, PO Box 2020, Lakewood, NJ 08701
 Phone: 800-526-3694, 732-363-4700, Fax: 732-364-8110
www.encoreplumbing.com • www.componenthardware.com

Faucet Configuration for KL41-8000 Series

