

**PROJECT NAME:** \_\_\_\_\_

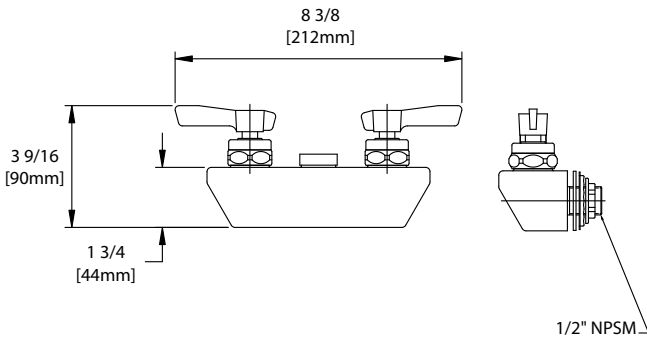
**LOCATION:** \_\_\_\_\_

**SPECIFIER ITEM NO.** \_\_\_\_\_ **QTY:** \_\_\_\_\_

**ENCORE PART NO.** \_\_\_\_\_

Encore<sup>®</sup> 4" (102mm) Wall Mount Faucet with  
 Lever Handles

**KL45-Y002 Faucet Body**



Dimensions shown in inches (mm) are for reference only  
 and are subject to change.

1/2" NPSM Male Inlets

Operating Temperature: 40-180°F (5-83°C)

Operating Pressure: 15-125psi

Note: 1-1/8" (29mm) holes for backsplash are  
 recommended to accommodate 1/2" supply nipples.

Approximate shipping weight - 5 lbs

Warranty - 2 years parts

Solid heavy duty cast body is specification and commercial  
 quality for hand sinks or back bar applications.

**Commercial Quality Features**

- ADA-compliant lever handles

**SANIGUARD<sup>®</sup> Product Protection**

- Permanently incorporated on all touch points of Encore plumbing fixtures
- Inorganic, silver ion technology inhibits growth of common bacteria, yeasts, mold and fungi, minimizes cross-contamination

**SPECIFICATIONS:**

Wall Mount Faucet Body to be Encore KL45-Y002. Faucet body to be  
 constructed of polished chrome plated brass with total lead content less  
 than 0.25% by weighted average. Lever handles to be incorporated with  
 SANIGUARD treatment. Supply inlets to be 4" on center. Valves to be 1/4-  
 turn with compression integral check valve to prevent cross-flow and back-  
 flow. Color coded temperature indexes shall meet international standards.

**COMPLIES WITH:**  
 ASME A112.18.1-2005  
 CSA B125.1-05  
 NSF/ANSI 61/9, ANNEX G  
 SECTION 116875 OF THE  
 CALIFORNIA HEALTH & SAFETY CODE  
 (COMMONLY KNOWN AS AB1953)  
 VERMONT ACT 193  
 UNIFORM PLUMBING CODE

