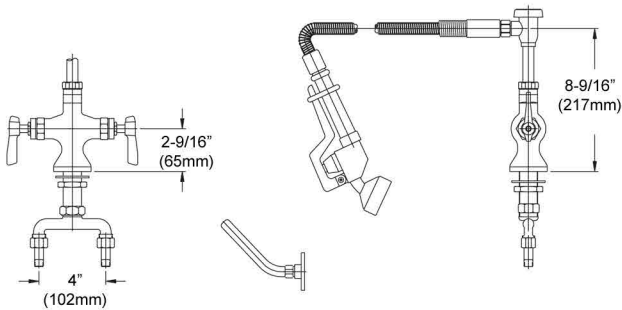


Encore® Low Lead Deck Mount
 Utility Spray Assembly

KL50-2x00-xx Series

- KL50-2000 Compression valves,
no vacuum breaker
- KL50-2100 Ceramic valves,
no vacuum breaker
- KL50-2000-VB Compression valves,
with vacuum breaker
- KL50-2100-VB Ceramic valves,
with vacuum breaker



Note: Deduct 1-1/8" from overall height when no vacuum breaker is supplied.

Dimensions shown in inches (mm) are for reference only and are subject to change.

1-1/8" (29mm) hole is recommended to accommodate 1/2" supply nipple.
 1/2" NPS inlet and 1/4" NPT compression fitting inlet
 Operating Temperature: 40-180°F (5-83°C)
 Operating Pressure: 15-125psi

Approximate shipping weight - 10 lbs
 Warranty - 2 years parts

Solid heavy duty cast body is specification and commercial quality

Commercial Quality Features

- Provided with 3.3gpm, 1.6gpm and 1.2gpm spray faces
- ADA-compliant lever handles
- 72" flexible S/S hose with Kool Grip™ handle

SANIGUARD® Product Protection

- Permanently incorporated on all touch points of Encore plumbing fixtures
- Inorganic, silver ion technology inhibits growth of common bacteria, yeasts, mold and fungi, minimizes cross-contamination

SPECIFICATIONS:

Deck Mount Utility Spray to be Encore KL50-2000 Series in the following configuration:

- _____ KL50-2000 Compression valves, no vacuum breaker
- _____ KL50-2000-VB Compression valves, with vacuum breaker
- _____ KL50-2100 Ceramic valves, no vacuum breaker
- _____ KL50-2100-VB Ceramic valves, with vacuum breaker

Faucet body to be constructed of polished chrome plated brass with total lead content less than 0.25% by weighted average. Handles to be lever style. Handles and grip to be incorporated with SANIGUARD treatment. Valves to be 1/4-turn with integral check valve to prevent cross-flow and back-flow. Hose to be 72" flexible stainless steel with Kool Grip™ handle. Hose to have Santoprene® reinforced inner hose. Hold open ring and hose wall hook to be included.

COMPLIES WITH:
 ASME A112.18.1-2005
 CSA B125.1-05
 NSF/ANSI 61/9, ANNEX G
 SECTION 116875 OF THE
 CALIFORNIA HEALTH & SAFETY CODE
 (COMMONLY KNOWN AS AB1953)
 VERMONT ACT 193
 UNIFORM PLUMBING CODE

