

**PROJECT NAME:** \_\_\_\_\_

**LOCATION:** \_\_\_\_\_

**SPECIFIER ITEM NO.** \_\_\_\_\_ **QTY:** \_\_\_\_\_

**ENCORE PART NO.** \_\_\_\_\_

Encore<sup>®</sup> Low Lead Wall Mount  
 Pre-Rinse Assembly

**KL53-MINI-xx Series**

- KL53-MINI without wall bracket
- KL53-MINI-BR with wall bracket (*shown*)
- KL53-MINI-BS with S/S spring & wall bracket
- KL53-MINI-S with S/S spring



Approximate shipping weight - 13 lb  
 Warranty - 2 years parts on faucet and spray valve

Heavy duty pre-rinse assembly designed to withstand the demands of commercial operations.

**Low-Flow Spray Valve**

- 1.6gpm Flat Spray
- Spray head hook holds spray head away from work area when not in use
- Heat resistant, non-marring, impact resistant bumper will not fatigue under extreme operating temperatures

**Encore Premium Hose Feature**

- 3-ply nylon reinforced Santoprene<sup>®</sup> inner hose provides maximum durability
- Interlocking helical coils of stainless steel outer hose shroud protect inner hose
- Patented stainless steel strain relief spring transfers and distributes load stress to significantly improve hose life
- High pressure hydraulic fittings on hose ends tested to 400psi
- Washerless design incorporates temperature resistant O-rings to provide leak-proof seal on all hose assemblies and hose grips

**Kool Grip™ Hose Grip**

- Reduces heat transfer to the hand; stays up to 30 degrees cooler than competitors' grips
- Ergonomic spray handle fits comfortably in even small hands and is easy to use

**SANIGUARD<sup>®</sup> Product Protection**

- Permanently incorporated on all touch points of Encore plumbing fixtures
- Inorganic, silver ion technology inhibits growth of common bacteria, yeasts, mold and fungi, minimizes cross-contamination

**SPECIFICATIONS:**

Low Lead Wall Mount Pre-Rinse Assembly to be Encore KL53-MINI Series in the following configuration:

- \_\_\_\_ KL53-MINI without wall bracket
- \_\_\_\_ KL53-MINI-BR with wall bracket
- \_\_\_\_ KL53-MINI-BS with S/S spring and wall bracket
- \_\_\_\_ KL53-MINI-S with S/S spring

Pre-rinse body to be constructed of polished chrome plated brass with total lead content less than 0.25% by weighted average. Pre-rinse hose to be constructed of 3-ply nylon reinforced Santoprene<sup>®</sup> permanently secured with high pressure hydraulic fittings pressure tested to 400 psi. Hose to be of washerless, leak-proof design, protected by interlocking helical stainless steel coils for maximum protection and flexibility. Patented stainless steel strain relief spring transfers load stress. Heavy-duty ergonomic gooseneck spring ensures proper hose position. A patented wall bracket with compression fitting is provided with model KL53-MINI-BR and KL53-MINI-BS to facilitate installation and give 360° of support. Riser to include spray head hook to hold spray head away from work area when not in use. Spray head to be furnished with 1.6gpm\* Water Saver Spray. Spray assembly to be equipped with Kool Grip™ handle to reduce heat transfer to hand. All touch points to be permanently incorporated with SANIGUARD<sup>®</sup>.

\*All flow rates are @ 60psi

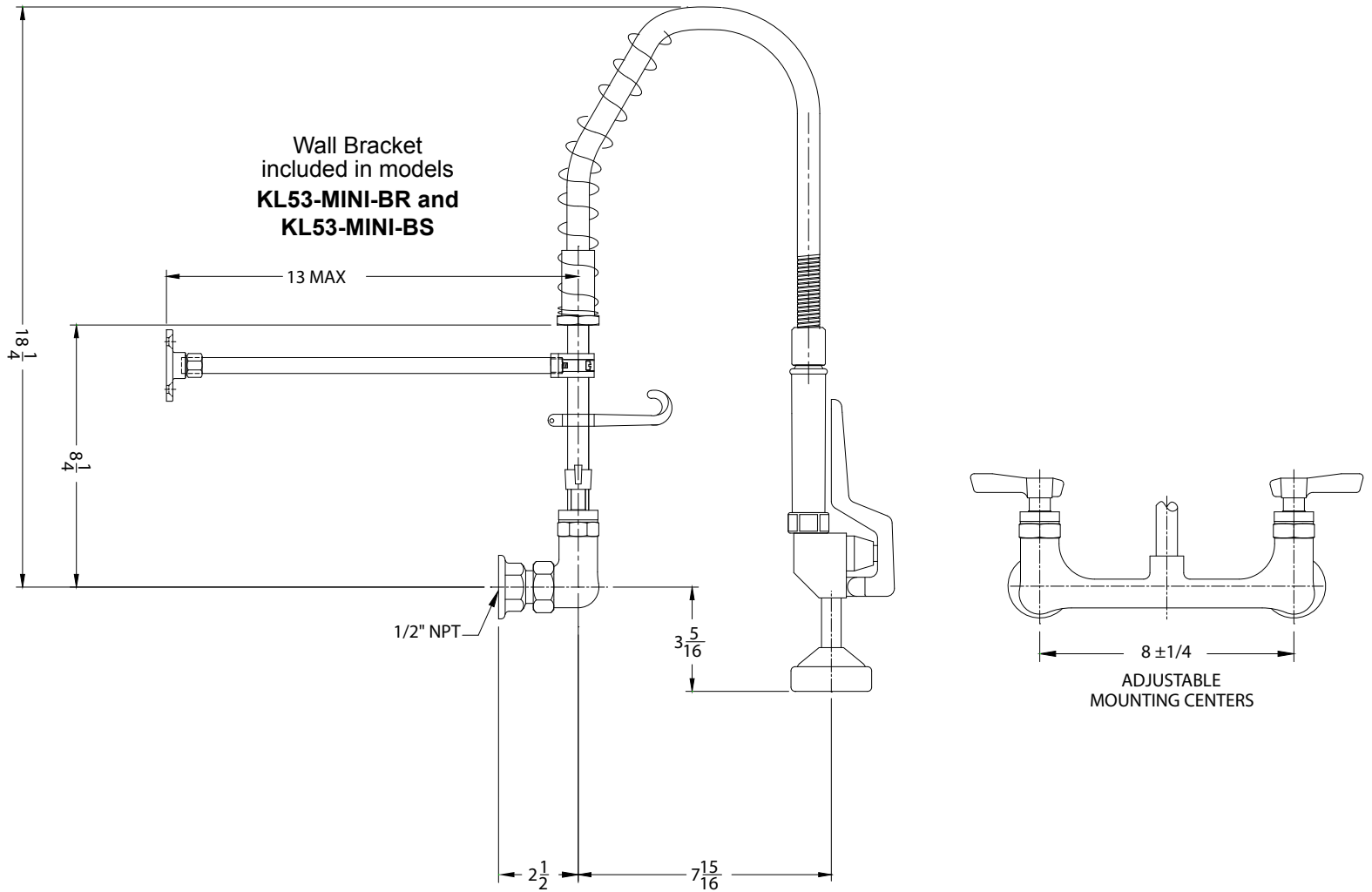
COMPLIES WITH:  
 THE FEDERAL "REDUCTION OF LEAD  
 IN DRINKING WATER ACT" -  
 2011 - US SENATE BILL NO. S.3874  
 NSF/ANSI 61/9, ANNEX G



# KL53-MINI-xx Series Wall Mount Pre-Rinse Assembly

PREMIUM PLUMBING PRODUCTS  
**Encore**<sup>®</sup>

1890 Swarthmore Avenue, PO Box 2020, Lakewood, NJ 08701  
Phone: 800-526-3694, 732-363-4700, Fax: 732-364-8110  
[www.encoreplumbing.com](http://www.encoreplumbing.com) • [www.componenthardware.com](http://www.componenthardware.com)



1-1/2" (29mm) holes for backsplash are  
1/2" NPT Female Inlets  
Operating Temperature: 40 - 180°F (5 - 83°C)  
Operating Pressure: 15 - 125psi

*Dimensions shown in inches (mm) are for reference only and are subject to change.*