

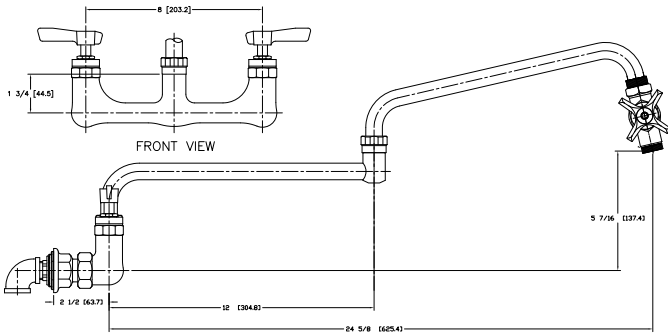
**PROJECT NAME:** \_\_\_\_\_

**LOCATION:** \_\_\_\_\_

**SPECIFIER ITEM NO.** \_\_\_\_\_ **QTY:** \_\_\_\_\_

**ENCORE PART NO.** \_\_\_\_\_

Encore® Wall Mount Faucet with Double  
 Jointed Swing Spout and Spout Shut-off Valve  
**KL54-8024DPMK**



Dimensions shown in inches (mm) are for reference only and are subject to change.

1-1/2" (29mm) holes for backsplash are recommended to accommodate 1/2" supply nipples.  
 1/2" NPT Female Inlets  
 Operating Temperature: 40 - 180°F (5 - 83°C)  
 Operating Pressure: 15 - 125psi

Approximate shipping weight - 5 lbs  
 Warranty - 2 years parts

Solid heavy duty cast body is specification and commercial quality

**Commercial Quality Features**

- Double jointed swing spout design
- ADA-compliant lever handles
- Built-in check valve to prevent cross-flow and back-flow
- Leak proof double O-ring spout design
- Stainless steel spout and shut-off valve

**SANIGUARD® Product Protection**

- Permanently incorporated on all touch points of Encore plumbing fixtures
- Inorganic, silver ion technology inhibits growth of common bacteria, yeasts, mold and fungi, minimizes cross-contamination

**SPECIFICATIONS:**

Wall Mount Faucet to be Encore KL54-8024DPMK. Faucet body to be constructed of polished chrome plated brass with total lead content less than 0.25% by weighted average. Lever handles to be incorporated with SANIGUARD treatment. Valves to be 1/4-turn full volume compression type with integral check valve to prevent cross-flow and back-flow. Spout to be 24" stainless steel double jointed tubular swing style with leak proof double O-ring seal design and shut-off valve. Color coded temperature indexes shall meet international standards. 2.2gpm aerator @ 60psi standard with full flow stream bubbler screen spout tip. Includes mounting kit.

**COMPLIES WITH:**  
 THE FEDERAL "REDUCTION OF LEAD  
 IN DRINKING WATER ACT" -  
 2011 - US SENATE BILL NO. S.3874  
 NSF/ANSI 61/9, ANNEX G

