

PROJECT NAME: _____

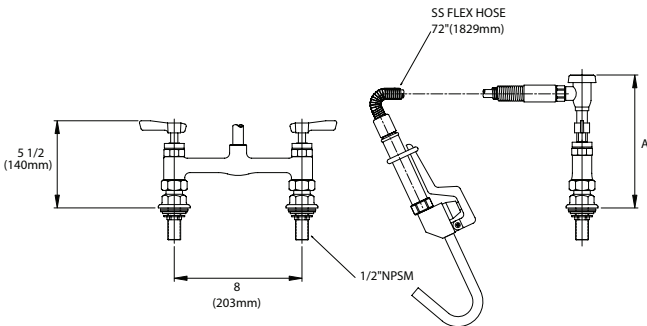
LOCATION: _____

SPECIFIER ITEM NO. _____ **QTY:** _____

ENCORE PART NO. _____

Encore[®] Deck Mount Pot Filler Assembly
KL60-3x00-xx

- KL60-3000 Compression valves, no vacuum breaker
- KL60-3100 Ceramic Valves, no vacuum breaker
- KL60-3000-VB Compression valves with vacuum breaker
- KL60-3100-VB Ceramic valves with vacuum breaker



Dimensions shown in inches (mm) are for reference only and are subject to change.

1-1/8" (29mm) holes for deck are recommended to accommodate 1/2" supply nipples.
 1/2" NPS inlets and 1/4" NPT compression fitting inlets
 Operating Temperature: 40-180°F (5-83°C)
 Operating Pressure: 15-125psi

Approximate shipping weight - 11 lbs
 Warranty - 2 years parts

Solid heavy duty cast body is specification and commercial quality

Commercial Quality Features

- Pot filler valve
- ADA-compliant lever handles
- 60" flexible S/S hose with Kool Grip™ handle

SANIGUARD[®] Product Protection

- Permanently incorporated on all touch points of Encore plumbing fixtures
- Inorganic, silver ion technology inhibits growth of common bacteria, yeasts, mold and fungi, minimizes cross-contamination

SPECIFICATIONS:

Deck Mount Pot Filler to be Encore KL60-3000 Series in the following configuration:

- _____ KL60-3000 Compression Valves Without Vacuum Breaker
- _____ KL60-3100 Ceramic Valves Without Vacuum Breaker
- _____ KL60-3000-VB Compression Valves With Vacuum Breaker
- _____ KL60-3100-VB Ceramic Valves With Vacuum Breaker

Faucet body to be constructed of polished chrome plated brass with total lead content less than 0.25% by weighted average. Lever handles and grip to be incorporated with SANIGUARD treatment. Valves to be 1/4-turn with integral check valve to prevent cross-flow and back-flow. Hose to be 60" flexible stainless steel with Kool Grip™ handle and vacuum breaker. Hose to have Santoprene[®] reinforced inner hose. Hold open ring and hose wall hook to be included.

Model No.	A
KL60-3000	7-3/16" (183mm)
KL60-3100	7-3/16" (183mm)
KL60-3000-VB	8-3/8" (213mm)
KL60-3100-VB	8-3/8" (213mm)

COMPLIES WITH:
 ASME A112.18.1-2005
 CSA B125.1-05
 NSF/ANSI 61/9, ANNEX G
 SECTION 116875 OF THE
 CALIFORNIA HEALTH & SAFETY CODE
 (COMMONLY KNOWN AS AB1953)
 VERMONT ACT 193
 UNIFORM PLUMBING CODE

