



HL5 Series

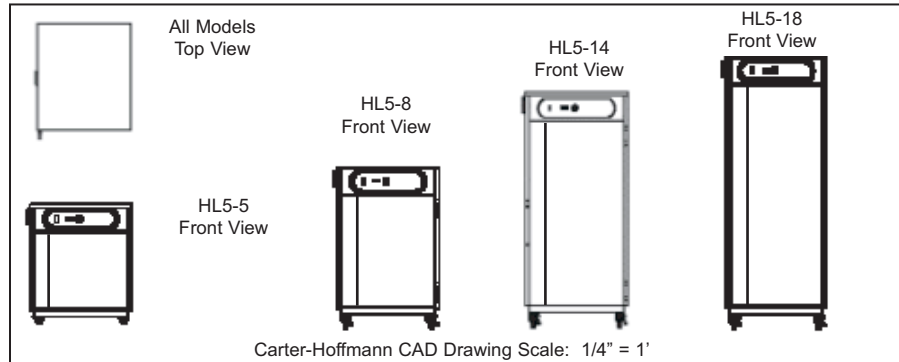
hotLOGIX HEATED HOLDING CABINETS

(insulated aluminum with mechanical controls)

CARTER-HOFFMANN



FOOD SERVICE EQUIPMENT
HEATED HOLDING CABINETS



Model Number	Pan/Tray Capacity		Spacing		Inside Working Height		Overall Dimensions			Caster Diameter		Shipping Weight				
	12"x20"	18"x26"	in	mm	in	mm	Height	Depth	Width	in	mm	lbs	kg			
<input type="checkbox"/> HL5-5*	10	5	3	76	16 ¹⁵ / ₁₆	430	33 ¹ / ₂	851	33 ¹ / ₁₆	840	28	711	3	76	203	92
<input type="checkbox"/> HL5-8	16	8	3	76	26 ⁹ / ₁₆	675	45 ¹ / ₂	1156	33 ¹ / ₁₆	840	28	711	5	127	241	109
<input type="checkbox"/> HL5-14	28	14	3	76	45 ¹ / ₂	1156	64 ³ / ₈	1635	33 ¹ / ₁₆	840	28	711	5	127	317	143
<input type="checkbox"/> HL5-18	36	18	3	76	57 ¹ / ₂	1461	76 ³ / ₈	1940	33 ¹ / ₁₆	840	28	711	5	127	371	168

*Under-counter height.

CONSTRUCTION...Riveted aluminum double wall cabinet construction. All seams turned in to eliminate raw edges. Four recessed pull grips on sides of cabinet.

CABINET MATERIAL...All aluminum interior and exterior double wall, insulated construction; .063 aluminum exterior with 2V finish.

BASE FRAME...Full depth caster bolsters with perimeter supports welded to bolsters.

CASTERS...5" diameter casters with rubber tread (3" casters on HL5-5). Four swivel casters. Two casters fitted with brakes.

INSULATION...2" thick high density continuous wrap-around type fiberglass insulation.

DOOR...Double panel door; .063 brushed aluminum exterior and stainless steel interior. Filled with 2" thick high density fiberglass insulation.

HINGES...Adjustable, self-closing, edge mount hinges with chrome plate finish.

GASKET...High temperature magnetic gasket mounted to cabinet.

LATCH...Side mounted, 12 gauge stainless steel latch keeps door securely closed.

DOOR HANDLE...Full length integrated door handle. Side-mounted transport latch(es) for secure closure.

TRAY RACK ASSEMBLY...Removable anodized aluminum ducts. Removable 16 gauge stainless steel universal slides, fully adjustable at 1-1/2" spacing. Standard spacing at 3" centers.

THERMOMETER...Dial thermometer with remote sensing probe and sensing probe protector.

CONTROLS...Dial temperature control knob and temperature display.

HEATING SYSTEM...Top mounted blower heater for even heat distribution. High impedance protected, internally cooled fan motor. Single cooling fan. Full range thermostat and on/off switch with power indicating light.

ELECTRICAL CHARACTERISTICS...

HL5-5 & HL5-8 operate on 120 volts, 60 cycle, single phase, 1100 watts, 9.2 amps. Ten foot rubber cord with 3 prong grounding plug. NEMA 5-15P. HL5-14 & HL5-18 operate on 120 volts, 60 cycle, single phase, 2100 watts, 17.5 amps. Ten foot rubber cord with 3 prong grounding plug. NEMA 5-20P.

PERFORMANCE...Capable of heating to 200°F (93°C). Preheat to 160°F (71°C) in approximately 25 minutes.

ACCESSORIES/OPTIONS...

- Menu card holder (solid door units only)
- Alternate electrical configurations
- Dutch door-add suffix "-D" (HL5-14 & HL5-18 only)
- Dutch door/pass-thru-add suffix "-DP" (HL5-14 & HL5-18 only)
- Pass-through: add suffix "-P"
- Tempered glass double pane doors
- Fixed angle slides for 18"x26" sheet pans
- Electronic controls

SPECIFICATIONS

Specifications subject to change through product improvement & innovation.

CARTER-HOFFMANN

1551 McCormick Ave., Mundelein, IL 60060
(847) 362-5500 • (800) 323-9793 • Fax (847) 367-8981
www.carter-hoffmann.com



Printed in U.S.A. E75 1212
Carter-Hoffmann is a trademark of Carter-Hoffmann LLC.

FEATURES & BENEFITS

HL5 Series hotLOGIX HEATED HOLDING CABINETS (insulated aluminum with mechanical controls)

Since 1947, Foodservice Equipment That Delivers!

PRECISION ENGINEERED HEAT DUCT SYSTEM...

Heat duct provides even and efficient heating throughout the entire cabinet for safe and consistent results. Temperature stratification throughout cabinet during preheat and hold is less than 2°F (NSF test protocol). Quick heat recovery. Ducts removable without tools for easy cleaning.

DOOR... Double panel, fully insulated, with magnetic door latch and heavy-duty hinges. Full perimeter magnetic gasket attached to cabinet.

FOUR CABINET SIZES... Under-counter, 1/2 height, 3/4 height and full height cabinets with true capacities. Adjustable universal slides for 12"x20", 18"x26" and Gastronorm pans. Optional fixed angle slides for 18"x26" sheet pans.



SIMPLE DIAL CONTROL... Dial in temperature from 85°F to 200°F. Dial type temperature readout.



RECESSED FINGER GRIPS... Finger grips for grasping and moving cabinet. Two on front of side panels and two on back of side panels at comfortable height.

1551 McCormick Avenue, Mundelein, Illinois 60060
Tel. (847)362-5500 • (800)323-9793 • Fax (847)367-8981
www.carter-hoffmann.com

