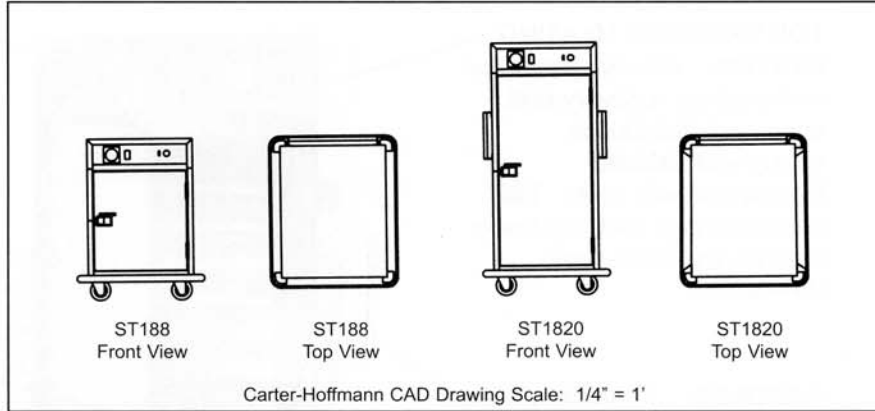




ST188 & ST1820 HEAVY-DUTY SATELLITE TRANSPORT CARTS (top mounted heating system) Universal Slides



Model Number	Tray/Pan Capacity*		Slide Pairs Standard	Inside Working Height		Overall Dimensions						Caster Diameter		Shipping Weight	
	18"x26"	12"x20"		in	mm	Height		Depth		Width		in	mm	lbs	kgs
						in	mm	in	mm	in	mm				
<input type="checkbox"/> ST188	6	12	6	23 ¹ / ₄	591	41 ¹ / ₈	1045	38	965	31 ¹ / ₂	800	6	152	245	111
<input type="checkbox"/> ST1820	12	24	10	45 ³ / ₄	1162	64	1626	38	965	31 ¹ / ₂	800	6	152	440	200

* Capacity shown at 3 1/2" spacing. Tray slides adjustable on 1 3/4" increments.

CONSTRUCTION... Completely welded cabinet construction with outer cabinet formed and welded to base. All seams turned in to eliminate raw edges.

CABINET MATERIAL... Nickel-bearing type 300 series stainless steel; 24 gauge polished exterior and 20 gauge interior.

BASE FRAME... 12 gauge stainless steel full depth bolsters with 1" x 1" 14 gauge stainless steel perimeter tube supports welded to bolsters.

CASTERS... 6" balloon casters. Plate mounted and bolted to base in offset wheel-ahead pattern. Delrin sleeve axle bearings and double ball bearing swivel. Zerk grease fittings. Two casters fitted with brakes.

BUMPER... Non-marking gray vinyl bumper set in heavy-duty 3/16" thick extruded aluminum frame with reinforced corner "cut-outs."

INSULATION... High density fiberglass, full 1" thick continuous wrap-around type in top, bottom and sides.

DOOR... Recessed within cart walls, top and base. Welded double panel stainless steel. 24 gauge polished exterior and 20 gauge interior. Filled with 1" thick high density fiberglass insulation.

HINGES... 12 gauge stainless steel butt hinges with 3/8" diameter stainless steel pins, fully welded to cabinet and doors.

GASKET... High temperature silicone gasket mounted to cabinet.

LATCH... Flush mounted heavy-duty slide latch for positive door closure.

HANDLES... ST188 has three 1" diameter stainless steel tubular handles, horizontally mounted and bolted, one on each side and back of cabinet. ST1820 has five 1" stainless steel tubular handles. Two vertically mounted and bolted to each side of the cabinet. One horizontally mounted and bolted to back of cabinet.

RACK ASSEMBLIES... Removable wire universal slides placed into 18 gauge stainless steel baffles secured in place with rack hold down device. Slides fully adjustable at 1 3/4" spacing. Standard spacing at 3 1/2" centers.

THERMOMETER... Dial type with remote sensing bulb and protective Lexan cover.

HEATING SYSTEM... Top mounted, all stainless steel construction. Unit held in place with hold down device and is removable with tools. Inconel-sheathed heating element. High impedance protected, internally cooled fan motor. Auto reset high-limit switch to protect all internal electrical components. Removable large capacity humidifying pan, on/off toggle switch with guard, power indicating light, full range thermostat control knob with security guard, recessed 12 gauge stainless steel cord wrap.

ELECTRICAL CHARACTERISTICS... Operates on 120 volts, 60 cycle, single phase, 1500 watts, 12.5 amps. Ten foot 3 wire rubber cord with 3 prong grounding plug. NEMA 5-15P.

PERFORMANCE... Capable of heating to 200° F (94° C). Preheat to 160° F (71° C) in approximately 20 minutes.

ACCESSORIES/OPTIONS...

- Menu Card Holder
- Alternate Electrical Configurations
- Alternate Wheel Sizes and Treads

Specifications subject to change through product improvement & innovation.

CARTER-HOFFMANN CORP.

1551 McCormick Ave., Mundelein, IL 60060
Tel (847) 362-5500 • (800) 323-9793 • Fax (847) 367-8981
www.carter-hoffmann.com

