

# CAB3

Mobile Enclosed Three-Stack Dish Dispensers

Project \_\_\_\_\_  
 Item \_\_\_\_\_  
 Quantity \_\_\_\_\_  
 CSI Section 11400  
 Approved \_\_\_\_\_  
 Date \_\_\_\_\_

## Models

### 3 stack unheated dish dispensers

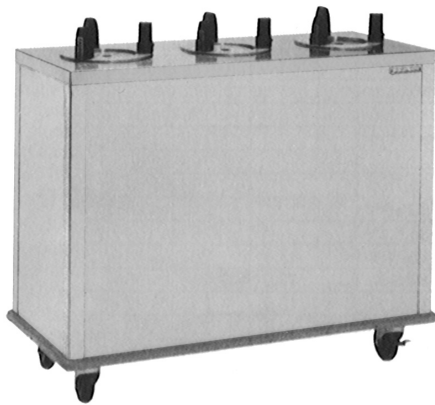
- CAB3-500
- CAB3-575
- CAB3-650
- CAB3-725
- CAB3-813
- CAB3-913
- CAB3-1013
- CAB3-1200
- CAB3-1450

### 3-stack even temp heated dish dispensers

- CAB3-500ET
- CAB3-575ET
- CAB3-650ET
- CAB3-725ET
- CAB3-813ET
- CAB3-913ET
- CAB3-1013ET
- CAB3-1200ET
- CAB3-1450ET

### 3-stack quick temp heated dish dispensers

- CAB3-813QT
- CAB3-913QT
- CAB3-1013QT
- CAB3-1200QT
- CAB3-1450QT



CAB3-575  
with optional wrap-around bumpers

## Standard Features

- Cabinet top to be 16-gauge stainless steel
  - Outer body and corners to be 20-gauge stainless steel
  - Non-marring gray corner bumpers
  - (4) 4.00" locking polyolefin swivel casters
  - Dispenser flange, channels and bottom to be integrally welded
  - Spring supports to be 14-gauge S/S
  - Carrier head made of welded rods with a removable 18-gauge top plate
  - Field adjustable self-leveling mechanism
  - High impact plastic guide posts mounted to flange
  - One year parts and 90 day labor warranty
- Heated, QT & ET, Features
- 9' cord and plug supplied
  - Convection heating module and fan motor per dispenser
  - 22-gauge stainless steel jacket around dispenser
  - Air intake shall be filtered
  - On/off switch on each dispenser
  - Adjustable thermostat per dispenser

- QT - stainless steel cover per dispenser
- ET maintains 120-140°F (49-60°C)
- QT maintains 150-170°F (66-77°C)

## Options & Accessories

- 12" diameter S/S dish dispenser tray (-1200 and -1450 models only)
- Rods for oval dishes and diameter adjustment (-813 through -1450 only)
- Stainless steel tube cover (-500 through -725 models only)
- Stainless steel dome cover (-813 through -1450 models only)
- Hold-down rod for dispenser tubes
- Wrap-around bumpers
- Four 4" or 5" polyurethane casters
- Flange-mount feet in lieu of casters
- 220 volt, 50/60 cycle, single phase electrical connections\*
- Shorten dispenser tubes to special length

\* Inclusion of these options will alter the electrical specifications of unit

## Specifications

**Cabinet** top shall be 16-gauge stainless steel with all corners welded and polished and reinforced with heavy-gauge channels. Cabinet exterior panels and corner support angles shall be 20-gauge stainless steel. Unit shall have four 4.00" (10cm) diameter polyolefin swivel casters (all locking), and non-marring gray bumpers at each corner.

**Dispenser** tube shall have 3 vertical side channels and a bottom brace of 22-gauge stainless steel. Top supporting flange shall be 18-gauge stainless steel. Flange, channels and bottom brace shall be integrally welded together. Flange shall have 3 guide posts molded from high impact plastic.

**Self-leveling mechanisms** shall be field adjustable by adding or removing stainless steel extension springs on perimeter of vertical side channels. The dish carrier head shall be stainless steel welded rods with a removable 18-gauge stainless steel top plate.

**Capacity** of tubes shall be approximately 72 dishes, with a maximum stacking height of 24.00" (61cm).

Models without "-ET" or "-QT" suffix are unheated.

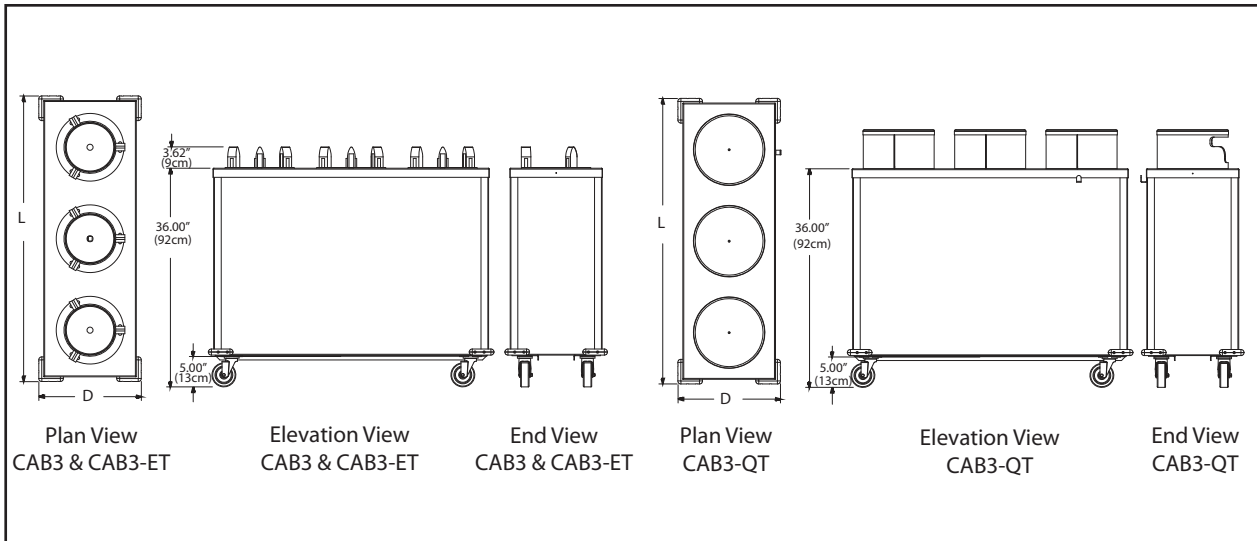
### The Following Applies To CAB3-ET Even Temp Heated

**Dispensers Only:** Unit shall be supplied with 9' (2.7m) cord and NEMA 6-20P plug. Electrical connections shall be 208 volt, 60 hertz, single phase. Each tube shall have its own convection heating module consisting of a single 400 or 700 watt heating element and fan motor, located in the center of the interior bottom cavity. Air intake shall have a filter. Each tube shall have an adjustable thermostat inside the motor housing and an ON/OFF switch on one of the dish guide posts. Unit shall maintain temperature between 120°F-140°F (49°C-60°C).

### The Following Applies To CAB3-QT Quick Temp Heated

**Dispensers Only:** Unit shall be supplied with 9' (2.7m) cord and NEMA 6-20P plug. Electrical connections shall be 208 volt, 60 hertz, single phase. Each tube shall have its own convection heating module consisting of a single 700 watt heating element and fan motor, located in the center of the interior bottom cavity. Air intake shall have a filter. Each tube shall have an adjustable thermostat inside the motor housing and an ON/OFF switch on one of the dish guide posts. Unit shall maintain temperature between 150°F-170°F (66°C-77°C). Each tube shall have a stainless steel cover.





Plan View CAB3 & CAB3-ET      Elevation View CAB3 & CAB3-ET      End View CAB3 & CAB3-ET      Plan View CAB3-QT      Elevation View CAB3-QT      End View CAB3-QT

**Specifications**

Model	Length	Depth	Dish Diameter Range	Watts	Ship Weight
CAB3-500	41.25"/105cm	17.00"/43cm	3.00"-5.00"/8cm-13cm	N/A	173lbs/79kg
CAB3-575	41.25"/105cm	17.00"/43cm	5.00"-5.75"/13cm-15cm	N/A	176lbs/80kg
CAB3-650	41.25"/105cm	17.00"/43cm	5.75"-6.50"/15cm-17cm	N/A	177lbs/80kg
CAB3-725	41.25"/105cm	17.00"/43cm	6.50"-7.25"/17cm-18cm	N/A	179lbs/81kg
CAB3-813	47.25"/120cm	17.00"/43cm	7.25"-8.12"/18cm-21cm	N/A	190lbs/86kg
CAB3-913	47.25"/120cm	17.00"/43cm	8.12"-9.12"/21cm-23cm	N/A	193lbs/88kg
CAB3-1013	47.25"/120cm	17.00"/43cm	9.12"-10.12"/23cm-26cm	N/A	196lbs/89kg
CAB3-1200	53.25"/135cm	19.00"/48cm	10.12"-12.00"/26cm-30cm	N/A	212lbs/96kg
CAB3-1450	62.00"/158cm	21.50"/55cm	12.00"-14.50"/30cm-37cm	N/A	229lbs/104kg

**Even Temp (ET) heated models**

CAB3-500ET	41.25"/105cm	17.00"/43cm	3.00"-5.00"/8cm-13cm	1200	207lbs/94kg
CAB3-575ET	41.25"/105cm	17.00"/43cm	5.00"-5.75"/13cm-15cm	1200	210lbs/95kg
CAB3-650ET	41.25"/105cm	17.00"/43cm	5.75"-6.50"/15cm-17cm	1200	213lbs/97kg
CAB3-725ET	41.25"/105cm	17.00"/43cm	6.50"-7.25"/17cm-18cm	1200	219lbs/99kg
CAB3-813ET	47.25"/120cm	17.00"/43cm	7.25"-8.12"/18cm-21cm	2100	233lbs/106kg
CAB3-913ET	47.25"/120cm	17.00"/43cm	8.12"-9.12"/21cm-23cm	2100	239lbs/108kg
CAB3-1013ET	47.25"/120cm	17.00"/43cm	9.12"-10.12"/23cm-26cm	2100	245lbs/111kg
CAB3-1200ET	53.25"/135cm	19.00"/48cm	10.12"-12.00"/26cm-30cm	2100	262lbs/119kg
CAB3-1450ET	62.00"/158cm	21.50"/55cm	12.00"-14.50"/30cm-37cm	2100	277lbs/126kg

**Quick Temp (QT) heated models**

CAB3-813QT	47.25"/120cm	17.00"/43cm	7.25"-8.12"/18cm-21cm	2100	243lbs/110kg
CAB3-913QT	47.25"/120cm	17.00"/43cm	8.12"-9.12"/21cm-23cm	2100	249lbs/113kg
CAB3-1013QT	47.25"/120cm	17.00"/43cm	9.12"-10.12"/23cm-26cm	2100	255lbs/116kg
CAB3-1200QT	53.25"/135cm	19.00"/48cm	10.12"-12.00"/26cm-30cm	2100	272lbs/123kg
CAB3-1450QT	62.00"/158cm	21.50"/55cm	12.00"-14.50"/30cm-37cm	2100	287lbs/130kg

- ET & QT models are 208 volt, 60 hertz, single phase, 10.6 Amps and include a 9' (2.7m) cord with NEMA 6-20P plug.
- Optional adjusting rods (available on 813-1450 models only) reduce the maximum round dish diameter by 1.25" (3cm); overall adjustment by rods is 1.50" (4cm). Non-marking adjustment rods must be ordered for each individual dispenser tube; installed at factory only.

Delfield reserves the right to make changes to the design or specifications without prior notice.

CAB3

Mobile Enclosed Three-Stack Dish Dispensers