

CD

Drop-In Disposable Cup Dispensers

Project _____
 Item _____
 Quantity _____
 CSI Section 11400
 Approved _____
 Date _____

Models

- CD Drop-in disposable dispenser for cups with 3.12" - 4.50" (8cm - 11cm) diameter



CD

Standard Features

- Dispenser tube with support flange is constructed of stainless steel
- Elevating mechanism consists of stainless steel spring and three equally spaced stainless steel friction strips fastened to a stainless steel collar
- Two compression springs are provided; one for paper cups, and one for foam cups
- Dispenser capacities will vary depending on the style of cup
- One year parts and 90 day labor standard warranty

Options & Accessories

- Custom lengths
- Custom diameters

Specifications

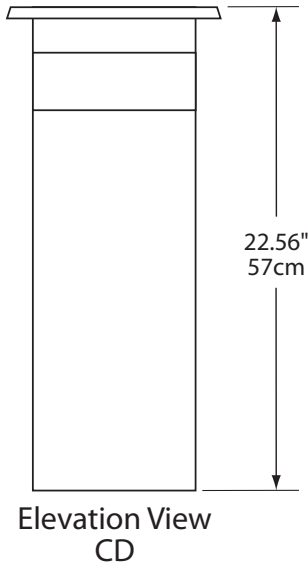
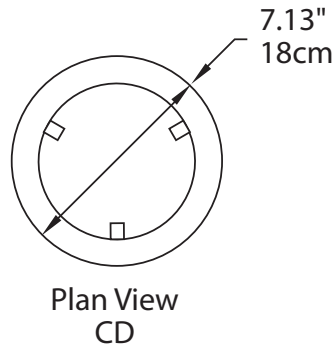
Dispenser tube and top supporting flange are constructed of stainless steel.

Elevating mechanism consists of a calibrated stainless steel spring and three equally spaced stainless steel friction strips fastened to a stainless steel collar. All three friction strips are adjustable in unison by rotating the collar.

NOTE: Two compression springs are provided; one for paper cups, one for foam cups. Dispenser capacities will vary depending on style of cup.



CD: Drop-In Disposable Cup Dispensers



Specifications			
Model	Cutout Diameter	Cup Diameter Range	Ship Weight
CD	5.25" (13cm)	3.12" - 4.50" (8cm - 11cm)	15lbs/ 7kg

Delfield reserves the right to make changes to the design or specifications without prior notice.