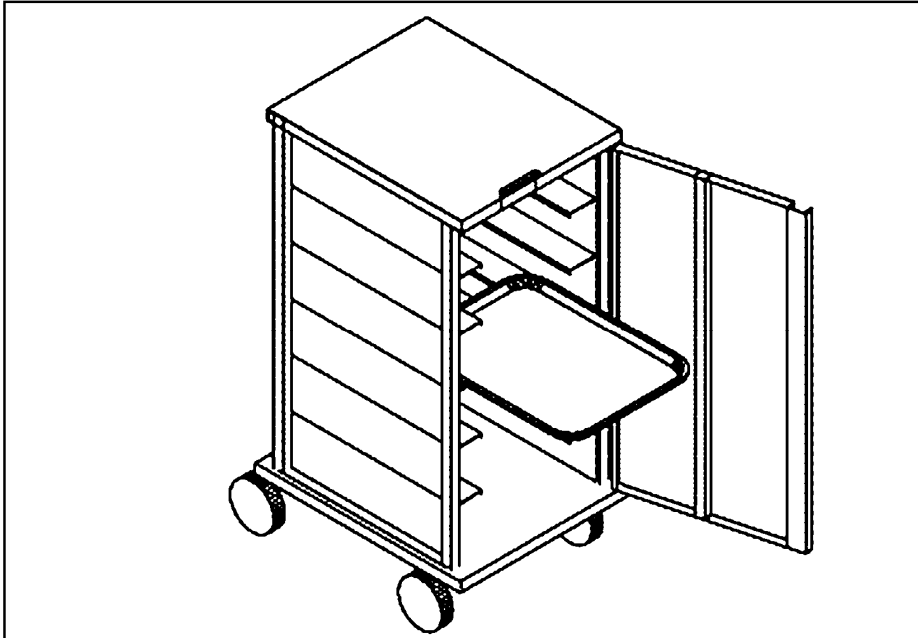


**ROOM SERVICE TRAY DELIVERY CART
(One Tray per Slide)****Model Numbers**

- ICT/6S
- ICT/7S
- ICT/8S
- ICT/10S

Application

The Room Service Cart is designed for transporting trays in units desiring to provide "Room Service" or "Late tray" style meals. The all stainless steel cart features fixed tray slides with 5-1/4" spacing. This cart will accommodate 1-tray per slide of the following 14"x 18", 15" x 20" and 13" x 21" (Retherm) trays as well as the Dinex® and Architectural Plastics room service trays.

Construction

Dinex Room Service carts are fabricated with 1" square tubing frame with welded 18-gauge pre-formed side panels/tray slides. The top, bottom and single panel door shall be 18-gauge, stainless steel. The door comes standard with a

recessed door pull and features magnets and a transport latch to keep the door closed. The door has a 270 degree door swing with magnets to keep the door in an opened position

Casters: Dinex exclusive silent soft tread, 4- 5" diameter swivel with brakes.

Standard Features

- All stainless steel
- Pull type door handle
- Transport latch and magnets
- Small footprint
- Accommodates 14"x18", 15"x20", 13" x 21" (Retherm), Dinex and Architectural Plastics room service trays
- Dinex exclusive silent casters

Options

- Corner bumpers
- Wrap-around bumpers
- Push Handle

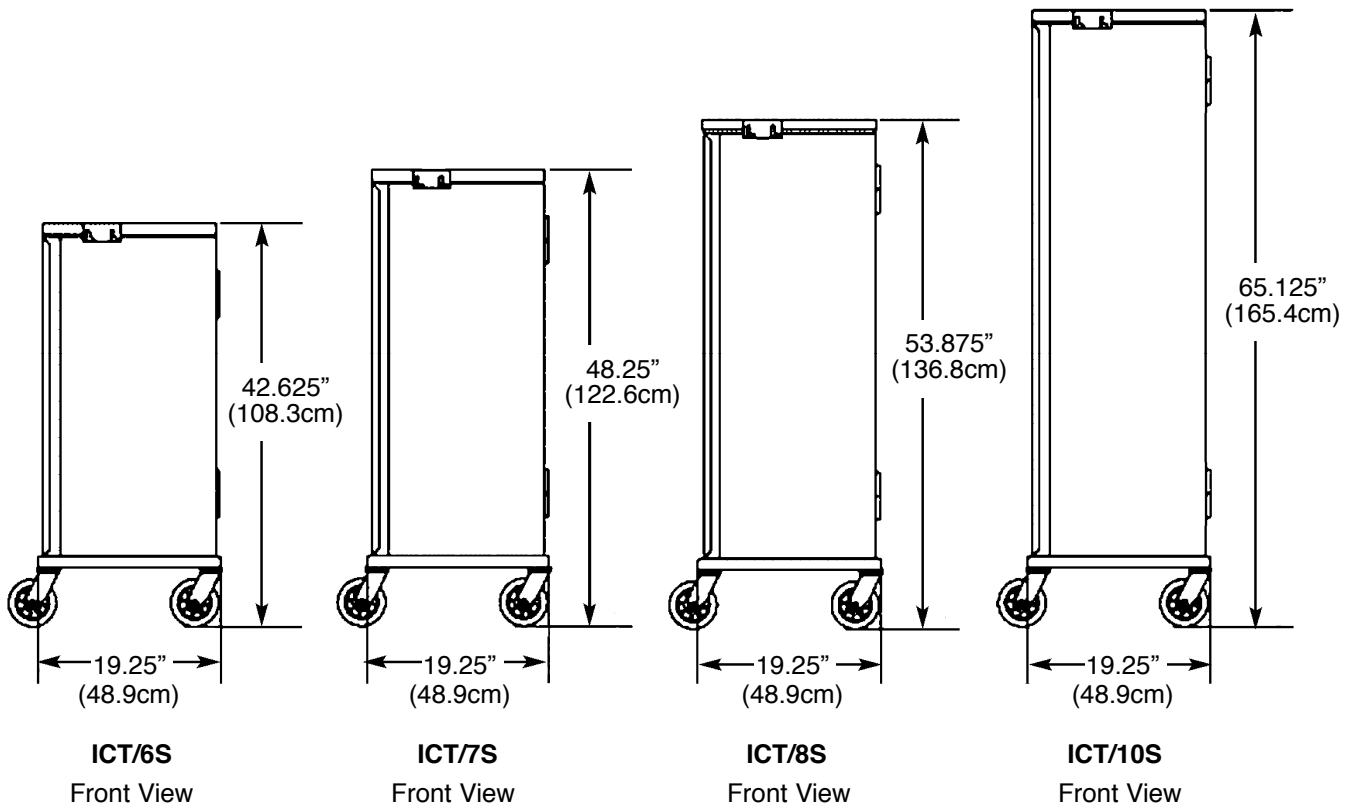
Warranty

One year parts and labor.

**DINEX®
International, Inc.**

Building 2, Suite 106
628 Hebron Avenue
Glastonbury, CT 06033-5006
(800) 523-9752 Fax: (860) 652-3135
<http://www.dinex.com>

ROOM SERVICE TRAY DELIVERY CART (One Tray per Slide)



Items and Dimensions

MODEL NUMBER	HEIGHT	WIDTH	LENGTH	SHIP WEIGHT
ICT/6S	42.625" (108.3cm)	24.5" (62.2cm)	19.25" (48.9cm)	150 lbs.(68kg)
ICT/7S	48.25" (122.6cm)	24.5" (62.2cm)	19.25" (48.9cm)	185 lbs.(84kg)
ICT/8S	53.875" (136.8cm)	24.5" (62.2cm)	19.25" (48.9cm)	200 lbs.(91kg)
ICT/10S	65.125" (165.4cm)	24.5" (62.2cm)	19.25" (48.9cm)	215 lbs.(97.5kg)

DINEX[®] International, Inc.

Building 2, Suite 106
628 Hebron Avenue
Glastonbury, CT 06033-5006
(800) 523-9752 Fax: (860) 652-3135
<http://www.dinex.com>

Please confirm that you have the most current specification sheet by visiting www.dinex.com.
Dinex[®] reserves the right to change specifications and product design without notice.
Such revisions do not entitle the buyer to corresponding changes, improvements, additions or replacements for previously purchased equipment.