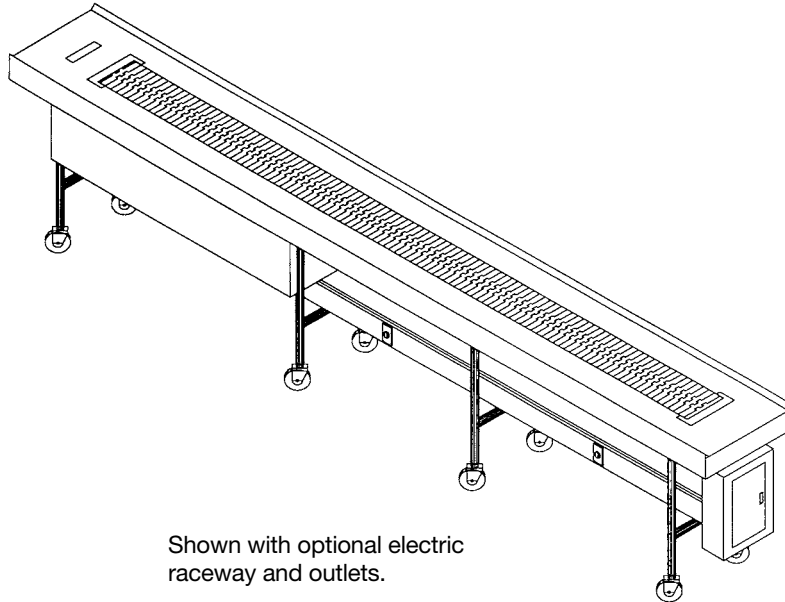


TRAY MAKEUP SLAT BELT MOTORIZED CONVEYORS



Shown with optional electric raceway and outlets.

Item Numbers

Slat Belt Motorized Conveyors

- DXIESSB8
- DXIESSB10
- DXIESSB12
- DXIESSB14
- DXIESSB16
- DXIESSB18
- DXIESSB20

Application

The straight-line Slat Belt motorized conveyor is designed for tray make-up operations. The Slat Belt conveyor will help streamline tray assembly for any healthcare or catering operation. All units can be equipped with raceways and breaker panels for online support equipment connections. Mobile or stationary, these units are designed for easy cleaning and long life. Since these units are built to customer specification some units may not be available in mobile configuration. Please consult factory.

Construction

Drive housing is 18-gauge stainless steel. 2" x 2" x .1875" stainless steel all welded angle and channel framework. Removable panels provided for easy access. Stainless steel shelf on outside end of drive section to hold soaplube container.

Conveyor is driven by a totally enclosed fan cooled D.C. permanent magnet motor through worm gear speed reducer, sprockets, and roller chain. Motor controlled with SCR power transmission group. Main control panel has speed control station with stop-start controls

includes dynamic braking, and is NEMA 4 watertight. Shafting is solid stainless steel with stainless steel sprockets. Bearings are self-aligning ball bearings sealed for life.

Belt is Lo-Friction Lexan plastic with tapered slats carried by stainless steel roller chain. Slats are snap attached to chain and do not require special tools for removal. Belt speed is electronically adjustable in speed range from approximately 0 to 40 FPM.

Conveyor slider pan belt terminates at drive end to provide flat top space for one tray. Die-formed crimp edge has straight turndown on long sides and is straight down on ends. Belt will terminate at drive end to provide flat top space for one tray. Supports are 1.625" O.D. No.16-gauge stainless steel tubing "H" frames on 6' to 7' centers. Interconnecting crossrails are required.

The intermediate section is 1.5" x 1.5", No. 12-gauge stainless steel angle framing with full length replaceable synthetic guide rails for belt return.

The tail section consists of a stainless steel framework which houses tail roller and bracket guides. Stainless steel panels will conceal frame where exposed.

The optional wash system is located within the drive housing and consists of all welded stainless steel wash tank with removable scrap collection basket. Tank is fitted with spray manifolds pre-piped to detergent injection system with solenoid valve to control flow of wash solution onto belt. Positive displacement type detergent pump is electrically operated. Stainless steel drip collection pans are located beneath the belt return track for the entire length of the conveyor. 140°F hot water is recommended for the wash system.

Warranty

One year parts and labor.

DINEX[®]

Building 2, Suite 106
628 Hebron Avenue
Glastonbury, CT 06033
800.523.9752 Fax: 860.652.3135
www.dinex.com

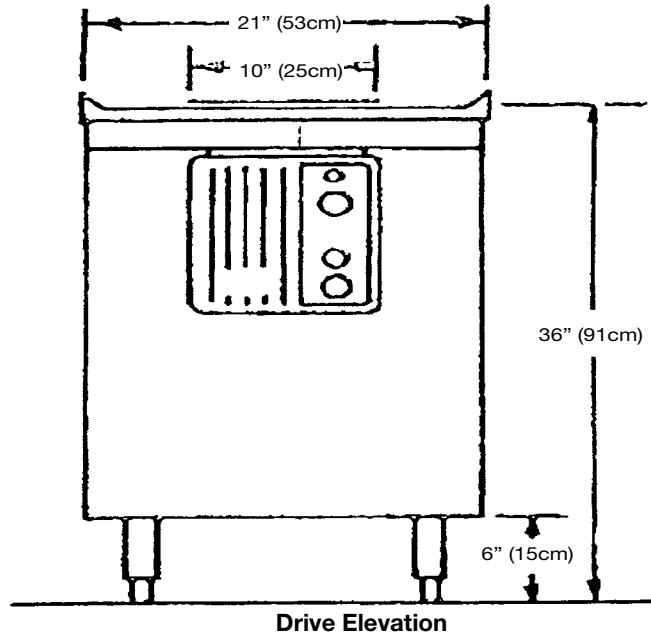
TRAY MAKEUP SLAT BELT MOTORIZED CONVEYORS

Application

Panel box is watertight NEMA 3R construction located on conveyor in totally accessible area. Integrally connected to panel box is an all stainless steel electric receptacle housing full length of conveyor. The optional electric raceway is of watertight construction. All receptacles required for support equipment have watertight spring loaded covers or threaded removable watertight ring covers with rust resistant ball and chain. All receptacles are wired on individual circuits to panel box and matched to electrical support equipment.

For the optional wash system provide a .5" 140°F hot water stub out of floor at drive housing for connecting to valve in the drive section (if mobile, a quick disconnect is required). Provide hub drain or floor drain under drive housing. A drain is required under the tail section if the conveyor is over 16' long. Electrical service at location is required (stub if stationary, grounded receptacle if mobile). Conveyor can be furnished in any voltage that is available in the Continental United States.

Note: Engineering data chart must be completed accurately for proper selection of receptacles and panel box.



Standard features

- Electrical raceway
- Variable speed
- SBC 10" slat with stainless steel carrier chain
- Stainless steel replaceable wear strips
- Pan limit switch
- Stationary
- Dry operation with manual cleaning
- Replaceable belt return rails
- Removable scrap basket
- All welded heavy-duty frame

Options

- Electric raceway
- Receptacles
- Casters
- Field joints
- Cord and plug
- Wash systems

Items and Dimensions

ITEM NUMBER	MODEL NUMBER	SIZE	SHIP WEIGHT
DXIESSB8	IESSB8	8 ft. (2.4 meter) section	600 lb. (272kg)
DXIESSB10	IESSB10	10 ft. (3.05 meter) section	750 lb. (340kg)
DXIESSB12	IESSB12	12 ft. (3.6 meter) section	900 lb. (408kg)
DXIESSB14	IESSB14	14 ft. (4.3 meter) section	960 lb. (435kg)
DXIESSB16	IESSB16	16 ft. (4.9 meter) section	1,020 lb. (462kg)
DXIESSB18	IESSB18	18 ft. (5.5 meter) section	1,080 lb. (489kg)
DXIESSB20	IESSB20	20 ft. (6.1 meter) section	1,140 lb. (517kg)



Please confirm that you have the most current specification sheet by visiting www.dinex.com.
 Dinex® reserves the right to change specifications and product design without notice.
 Such revisions do not entitle the buyer to corresponding changes, improvements, additions or replacements for previously purchased equipment.



Building 2, Suite 106
 628 Hebron Avenue
 Glastonbury, CT 06033
 800.523.9752 Fax: 860.652.3135
www.dinex.com