



# Specifications

F.O.B Sedalia, Missouri 65301



**ADI-3MDSL-N7**  
(optional louvered grille shown)

### OPTIONS:

- Hot food style top
- Sectional false bottom
- Globe valve and drain line
- Designer Foodshields
- Adapter panels
- Adapter bars

### AGENCY LISTING:



**DUKE MANUFACTURING CO.**  
2305 N. Broadway  
St. Louis, MO 63102

800.735.3853 Toll Free  
314.231.1130 In Missouri  
314.231.5074 Fax  
www.dukemfg.com

### Approval Stamp(s):

### PRODUCT INFORMATION:

PROJECT: \_\_\_\_\_  
ITEM: \_\_\_\_\_  
QUANTITY: \_\_\_\_\_

### MODEL:

**Drop-Ins - Slimline - Cold Pan  
Mechanically Cooled Ice - 10" Deep Liner  
Meets NSF Standard 7**

- ADI-2MDSL-N7 (2) 6" Deep 12" x 20" pan
- ADI-3MDSL-N7 (3) 6" Deep 12" x 20" pan

### TOP RIM:

- Heavy gauge, 300 Series stainless steel
- Overhang on all four sides w/locking tabs
- Reinforced with heavy gauge steel angle
- Vinyl foam gasket as sealant

### LINER:

- 300 Series stainless steel cold pan
- 10" deep, 13-5/8" front to back
- 1" cast brass drain and plug
- Adapter bars for full size pans included
- Products recessed 3" below top
- Removable stainless steel brackets 3" below top

### REFRIGERATION:

- Copper coils attached to sides of liner - R134A refrigerant
- Air cooled condensing unit, in center of unit- 120 volt
- Open angle iron suspended compressor compartment
- Remote mounted on/off switch with stainless steel face plate
- 6' cord and plug - NEMA 5-15
- Five year warranty on compressor motor

### EXTERIOR HOUSING

- Heavy gauge paint grip steel body

### SHORT FORM SPECIFICATIONS:

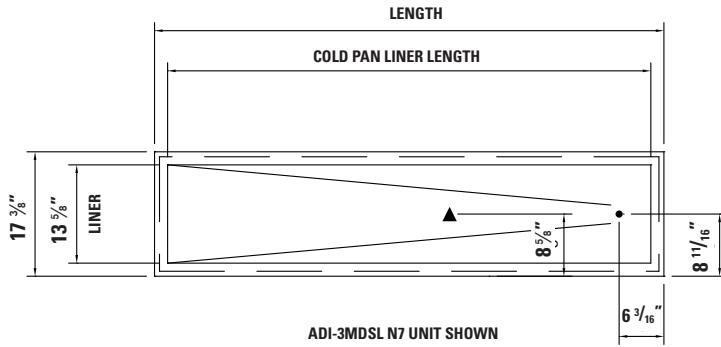
**Duke Drop-Ins - Slimline - Cold Pan - Mechanically Cooled Ice - 10" Deep Liner - Meets NSF Standard 7.** Top flange of heavy gauge 300 series s/s with overhang on 4 sides, refrigerated cold pan, s/s top and interior liner, heavy gauge paint grip steel exterior housing, with drain, remote mounted on/off switch, 10" deep liner, cord and plug, adapter bars for full size pans furnished. Note: Do not fully enclose compressor area. Two unrestricted openings of no less than 200 sq. inches required in cabinet for proper cooling, NSF-7



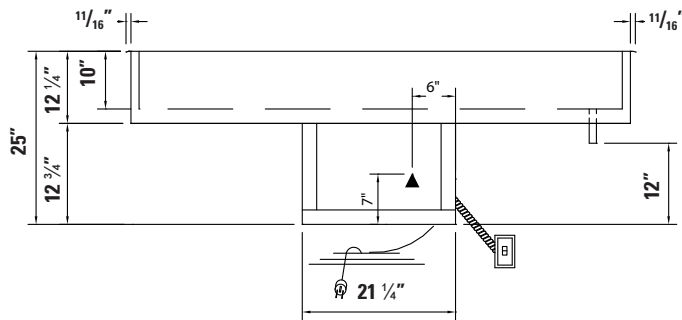
**MODEL:**

**Drop-Ins - Slimline - Cold Pan**  
**Mechanically Ice Cooled- 10" Deep Liner**  
**Meets NSF Standard 7**

- ADI-2MDSL-N7 (2) 6" Deep 12" x 20" pan
- ADI-3MDSL-N7 (3) 6" Deep 12" x 20" pa

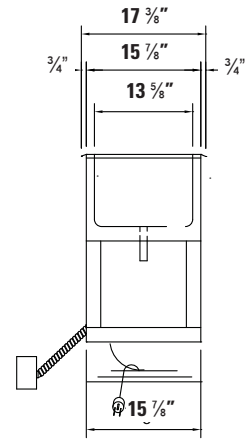


**TOP VIEW**



**FRONT VIEW**

LEGEND	
▲	- ELECTRICAL CONNECTION
●	- DRAIN CONNECTION



**RIGHT SIDE VIEW**

**DIMENSIONS** - Liners are 13-5/8" (34.7cm) W; cutouts 16-3/4" (42.5cm) W

**FREIGHT CLASS:** 100

Model	Length		Width		Height		Cube ft crated	Adapter Bars	Weight		Cold Pan - L		Cutout - L	
	in.	cm	in	cm	in	cm			in.	cm	in.	cm	in.	cm
ADI-2MDSL-N7	48 3/4	123.8	17 3/8	44.2	25	61.0	20.2	1	165	75	45 1/8	114.3	47 3/4	121.9
ADI-3MDSL-N7	70 3/4	179.7	17 3/8	44.2	25	61.0	28.4	2	225	102.3	67 1/8	170.2	69 3/4	177.8

REMOTE CONTROL CUTOUT IS 4-1/8" H X 2-3/16" W

Model	120 Volt	
	Amps	HP
ADI-2MSL-N7	4.2	1/5
ADI-3MSL-N7	4.2	1/4



**DUKE MANUFACTURING CO.**  
 2305 N. Broadway  
 St. Louis, MO 63102

800.735.3853 Toll Free  
 800.231.1130 In Missouri  
 314.231.5074 Fax  
[www.dukemfg.com](http://www.dukemfg.com)

Specification subject to change