



"Your Solutions Partner"

Specifications

F.O.B. Sedalia, Missouri 65301



ASI-3G

OPTIONS:

- Safety pilots - *D-SP*
- Thermostats - *D-TH*
- Stainless steel carving surface - *445-S*
- Stainless steel dish shelf - *444-S*
- Removable stainless steel carving station - *CS-2*
- Glass display shelves - *98x Series*
- Serving shelves - *956/956-460-x Series*
- Self-service canopies - *TS530-xx, TS530-xx-1SN*
- Buffet shelves - *83x, 93xFL, 93xHT, 93xBL*
- Telescope covers - *546, 548*
- Stainless steel spillage pans - *576 & 676*
- Adapter plates - *31, 32 & 33*
- Hardwood carving board - *445-W*
- Drop-in style top rim

AGENCY LISTINGS:



DUKE MANUFACTURING CO.
2305 N. Broadway
St. Louis, MO 63102

800.735.3853 Toll Free
314.231.1130 In Missouri
314.231.5074 Fax
www.dukemfg.com

Approval Stamp(s):

PROJECT INFORMATION:

PROJECT: _____
ITEM: _____
QUANTITY: _____

MODEL:

Slide-Ins Hot Food - Gas

- ASI-1G** 18-1/4"L x 23-1/2"W x 15-3/4"H
- ASI-2G** 32-1/4"L x 23-1/2"W x 15-3/4"H
- ASI-3G** 46-1/4"L x 23-1/2"W x 15-3/4"H
- ASI-4G** 60-1/4"L x 23-1/2"W x 15-3/4"H
- ASI-5G** 74-1/4"L x 23-1/2"W x 15-3/4"H
- ASI-6G** 88-1/4"L x 23-1/2"W x 15-3/4"H

TOP RIM:

- Heavy gauge 300 Series stainless steel
- Die-stamped openings - 12-1/16" x 20-1/16"
- Reinforced with heavy gauge steel angle
- Vinyl foam gasket as sealant
- 15/16" overhang on ends and back
- Operator's side turn down

HEAT COMPARTMENTS:

- Die-formed 8" deep stainless steel liners - dry operation
- 1" fiberglass insulation, all four sides and bottom
- Individual burners under each well - 3500 BTU/HR input each
- Adjustable gas valve & pilot light for each burner
- Galvanized steel radiation plate each compartment
- Gas pressure regulator included
- Includes **576** aluminum spillage pans

EXTERIOR HOUSING:

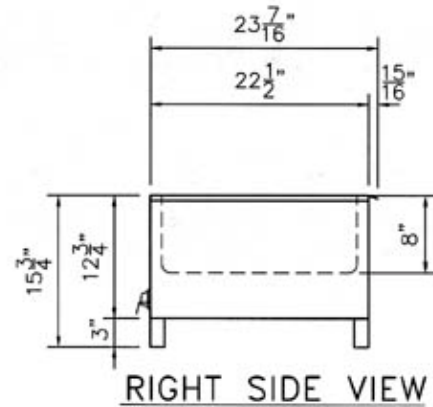
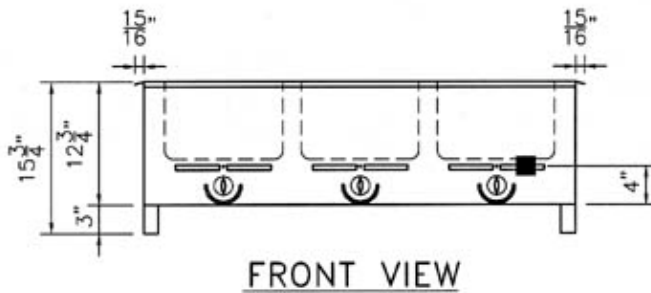
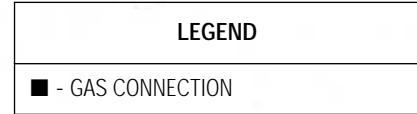
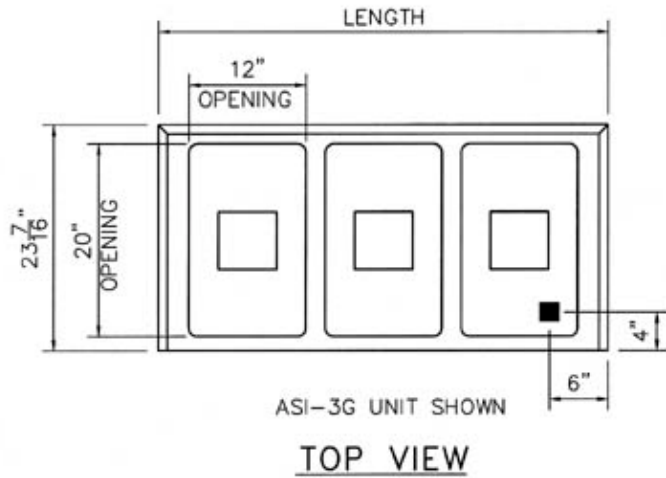
- Heavy gauge paint grip steel on one side and both ends
- Operator's side stainless steel

SHORT FORM SPECIFICATIONS:

Duke Slide-Ins - Hot Food - Gas. Top rim shall be constructed of heavy gauge, 300 Series stainless steel with 15/16" overhang on ends and back, with operator's side turned down. Rim reinforced by heavy gauge steel angle and shall be provided with vinyl foam gasket as sealant with top surface. Top shall be provided with die-stamped openings, each measuring 12-1/16" x 20-1/16", with 20-1/16" measurement running front to back. Heat compartments shall be constructed with die-formed 8" deep liner, fabricated of stainless steel, insulated on all 4 sides, bottom and between sections with 1" fiberglass. Each compartment to have individual burner rated at 3500 BTUs input per hour designed for use with natural or propane gas, as ordered. Each burner shall be controlled by an adjustable gas valve with adjustable pilot light. Galvanized steel radiation plate furnished in each compartment, with gas pressure regulator provided for each slide-in. Exterior housing to be constructed of heavy gauge steel, except for operator's side which shall be stainless.

SLIDE-INS - HOT FOOD
GAS

- ❑ **ASI-1G** 18-1/4"L x 23-1/2"W x 15-3/4"H
- ❑ **ASI-2G** 32-1/4"L x 23-1/2"W x 15-3/4"H
- ❑ **ASI-3G** 46-1/4"L x 23-1/2"W x 15-3/4"H
- ❑ **ASI-4G** 60-1/4"L x 23-1/2"W x 15-3/4"H
- ❑ **ASI-5G** 74-1/4"L x 23-1/2"W x 15-3/4"H
- ❑ **ASI-6G** 88-1/4"L x 23-1/2"W x 15-3/4"H



DIMENSIONS:

Freight Class: 100

Model	Length		Width		Height		Top Openings	Cutout Length		Cutout Width		Cube ft. crated	Weight	
	in.	cm	in.	cm	in.	cm		in.	cm	in.	cm		lbs.	kg
ASI-1G	18-1/4	46.4	23-1/2	59.7	12-3/4	32.4	1	17	43.2	23	58.4	9.1	43	19.6
ASI-2G	32-1/4	81.9	23-1/2	59.7	12-3/4	32.4	2	31	78.7	23	58.4	14.5	130	59.1
ASI-3G	46-1/4	117.5	23-1/2	59.7	12-3/4	32.4	3	45	114.3	23	58.4	19.6	170	77.3
ASI-4G	60-1/4	153.0	23-1/2	59.7	12-3/4	32.4	4	59	149.9	23	58.4	25.1	210	95.5
ASI-5G	74-1/4	188.6	23-1/2	59.7	12-3/4	32.4	5	73	185.4	23	58.4	30.3	240	109.1
ASI-6G	88-1/4	224.2	23-1/2	59.7	12-3/4	32.4	6	87	221.0	23	58.4	35.6	290	131.8

Power Supply:

1/2" IPS threaded pipe gas connection from supplied gas pressure regulator.
Specify natural gas or propane gas when ordering.
For high altitude orifice, specify elevation when ordering.

NOTES: NO combustible materials should be stored under unit.
Allow proper air flow beneath unit to insure gas burns cleanly.



DUKE MANUFACTURING CO.
2305 N. Broadway
St. Louis, MO 63102

800.735.3853 Toll Free
314.231.1130 In Missouri
314.231.5074 Fax
www.dukemfg.com

"Your Solutions Partner"