

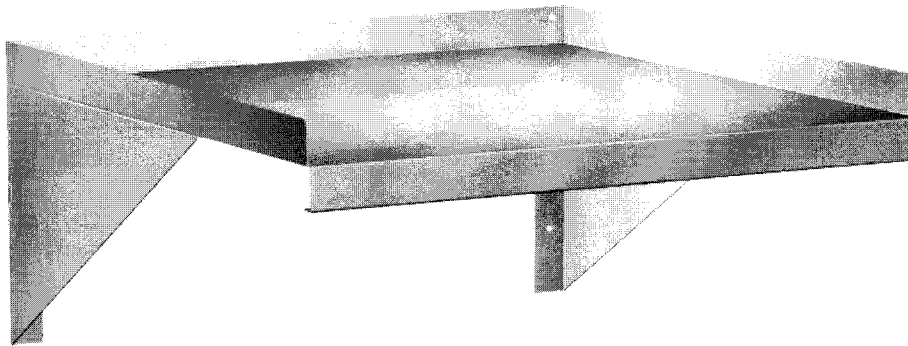
DUKE

Wall Mounted Microwave Shelf 

CATALOG NO. 9209

MSD-2424

F.O.B. Sedalia, Missouri



OVERALL DIMENSIONS:

Height: 10", including brackets

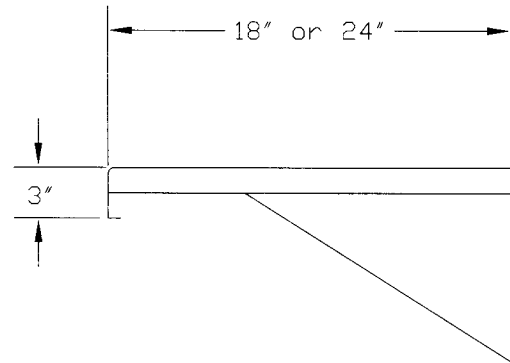
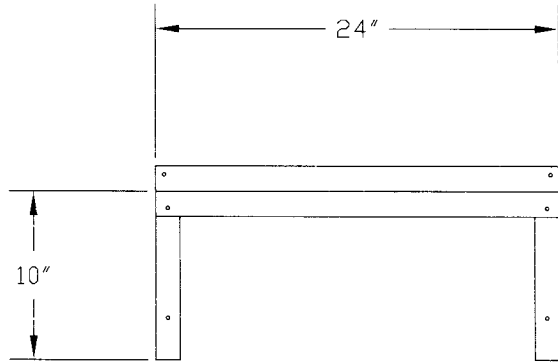
Width: 18", 24"

Length: 24"

Manufactured of 18 gauge stainless steel, supported by 14 gauge stainless steel brackets.

Maximum weight per shelf: 200 lbs.

- Create more space in work area.
- Increase labor savings and efficiency.
- All stainless steel construction.
- Available in (2) sizes.



Model	Dimensions		Height		Cube ft.	Weight	
	front to back	left to right	in.	cm		lbs.	kg
MSD18-24	18" (45.7 cm)	24" (61.0 cm)	10	25.4	3.6	17	7.7
MSD24-24	24" (61.0 cm)	24" (61.0 cm)	10	25.4	4.7	20	9.1

Specifications subject to change