



"Your Solutions Partner"

Specifications

F.O.B Sedalia, Missouri 65301



OPTIONS:

- Stainless steel legs - **TMOD-15**
- Dispenser without Silverware Dispenser
- Veneered plastic laminate panels on body - **TSS-xP**
- Powder coat paint colors
- Rubber corner bumpers - **TMOD-8**
- Stainless steel kickplates - **TMOD-2**

AGENCY LISTING:



DUKE MANUFACTURING CO.
 2305 N. Broadway
 St. Louis, MO 63102

800.735.3853 Toll Free
 314.231.1130 In Missouri
 314.231.5074 Fax
 www.dukemfg.com

Approval Stamp(s):

PRODUCT INFORMATION:

PROJECT: _____
 ITEM: _____
 QUANTITY: _____

MODEL:

Thurmaduke Serving Systems Tray Dispenser Units

- **TTD-1014-S** 2 trays per level
- **TTD-1216-S** 1 trays per level
- **TTD-1418-S** 1 trays per level
- **TTD-1520-S** 1 trays per level
- **TTD-1622-S** 1 trays per level
- **TTD-1721-S** 1 trays per level

TOP:

- 16 gauge, 300 Series stainless steel
- 10" sloped top

BODY:

- Choice of (12) powder coat paint colors (must choose one):
 - #217105 - Designer White
 - #217150 - Orange Red
 - #217107 - Hollyberry Red
 - #217127 - Fence Green
 - #217102 - Duke Silver
 - #217101 - Semi-Gloss Black
- #217103 - Natural Almond
- #217154 - Racing Red
- #217120 - Sky Blue
- #217152 - Stone Gray
- #217113 - Brown Kickplate
- #217125 - Textured Black

- Stainless steel body
- Fully enclosed
- Die-formed corners
- Rear access panel

SELF-LEVELING MECHANISM:

- Cantilever assembly
- Heavy gauge stainless steel
- Stainless steel roller bearings
- Fully field adjustable
- Life-time warranty springs
- Tray capacity of 150 trays

SILVERWARE DISPENSER

- Clear acrylic
- 3/4" heavy gauge stainless steel tubing supports
- 8 silverware cups, 5" deep, 3-1/2" diameter

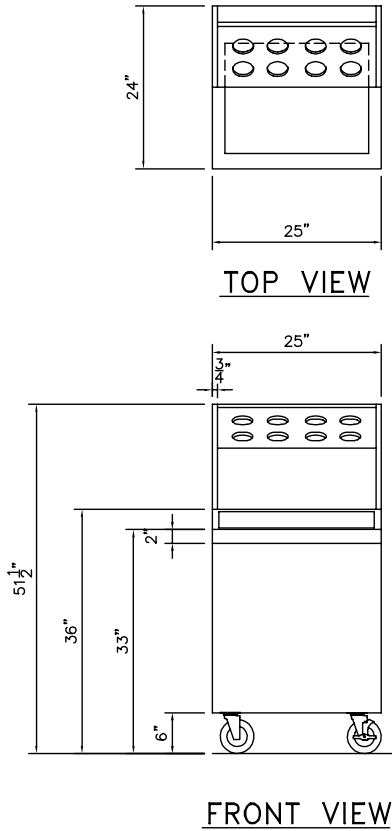
SHORT FORM SPECIFICATIONS:

Thurmaduke Serving Systems - Tray Dispenser Units. Top shall be constructed of 16 gauge, 300 Series stainless steel with edges flanged down 2" at 90° on all four sides and flush with body on ends. Tray opening edges to be flanged down 3/4". Top shall be sloped 10" to ensure ease in tray pick up. Body to be free standing and formed of heavy gauge steel with specified powder coat paint color or 300 Series stainless steel. Base to be fully enclosed. All corners shall be die-formed. Units to have rear access panel. Self-leveling mechanism shall be cantilever type assembly of heavy gauge stainless steel with stainless steel roller bearings to ensure smooth and constant leveling action. Mechanism to be fully field adjustable without use of tools. Springs shall have lifetime warranty. Tray capacity of up to 150 trays and shall accommodate a wide variety of standard tray sizes. Silverware dispenser shall be constructed of clear acrylic and supported by 3/4" heavy gauge stainless steel tubing. Eight silverware cups, 5" deep, to be provided. Body mounted on NSF approved 5" diameter polyurethane casters, all swivel two with locks. Must add "PG" to model number for Paint Grip Bodies, "SS" for Stainless Steel bodies.



**Thurmaduke Serving Systems
Tray Dispenser Units**

- TTD-1014-S 2 trays per level
- TTD-1216-S 1 trays per level
- TTD-1418-S 1 trays per level
- TTD-1520-S 1 trays per level
- TTD-1622-S 1 trays per level
- TTD-1721-S 1 trays per level



DIMENSIONS:

FREIGHT CLASS: 150

Model	Length		Width		Height		Cube ft. crated	Weight		Top Openings Dimensions			
	in.	cm	in.	cm	in.	cm		lbs.	kg	Length		Width	
										in.	cm	in.	cm
TTD-1014-S	25	63.5	24	61.0	51-1/2	130.8	29.9	188	85.3	23	58.4	18 1/2	47.0
TTD-1216-S	25	63.5	24	61.0	51-1/2	130.8	29.9	188	85.3	21-1/2	54.6	16-1/4	41.3
TTD-1418-S	25	63.5	24	61.0	51-1/2	130.8	29.9	188	85.3	21-1/2	54.6	16-1/4	41.3
TTD-1520-S	25	63.5	24	61.0	51-1/2	130.8	29.9	188	85.3	23	58.4	18-1/2	47.0
TTD-1622-S	25	63.5	24	61.0	51-1/2	130.8	29.9	188	85.3	23	58.4	18-1/2	47.0
TTD-1721-S	25	63.5	24	61.0	51-1/2	130.8	29.9	188	85.3	23	58.4	18-1/2	47.0

Model	Tray Size	# Trays per level
TTD-1014-S	14"L x 10"W	2
TTD-1216-S	16"L x 12"W	1
TTD-1418-S	18"L x 14"W	1
TTD-1520-S	20"L x 15"W	1
TTD-1622-S	22"L x 16" W	1
TTD-1721-S	21"L x 17"W	1

DUKE MANUFACTURING CO.
2305 N. Broadway
St. Louis, MO 63102

800.735.3853 Toll Free
314.231.1130 In Missouri
314.231.5074 Fax
www.dukemfg.com



"Your Solutions Partner"

Specifications subject to change

06/08
Printed in U.S.A
© 2008, Duke Manufacturing Co.