



"Your Solutions Partner"

# Specifications

F.O.B. Sedalia, Missouri 65301



WB303

### OPTIONS:

- Cold pan style top
- Stainless steel cutting board in lieu of poly
- Drop type brackets for cutting board
- Stainless steel feet - **SS-FEET**
- Adapter plates - **31, 32, 33**
- Telescope cover - **546, 548**
- Spillage pans - **576, 676**
- Hardwood cutting board in lieu of poly
- Drop type brackets for cutting board
- Standard serving shelf - **656-x**
- Deluxe serving shelf - **956-x**
- Standard buffet shelf - **63x**
- Deluxe buffet shelf - **83x**
- 3-bar tray slide - **3BTS-x**
- Stainless steel dish shelf under cutting board - **441S-x**

### AGENCY LISTINGS:



**DUKE MANUFACTURING CO.**  
2305 N. Broadway  
St. Louis, MO 63102

800.735.3853 Toll Free  
314.231.1130 In Missouri  
314.231.5074 Fax  
www.dukemfg.com

Approval Stamp(s):

### PROJECT INFORMATION:

PROJECT: \_\_\_\_\_  
ITEM: \_\_\_\_\_  
QUANTITY: \_\_\_\_\_

### MODEL:

## AeroHot Steamtables Hot Food Units - Gas Wet Bath

- WB302** 2 openings
- WB303** 3 openings
- WB304** 4 openings
- WB305** 5 openings

### TOP:

- 20 gauge, 300 Series stainless steel
- Die-stamped openings - 12-1/16" x 20-1/16"
- Poly carving board - 7"W x 1/2" thick with 18 ga. stainless steel support base and die-stamped brackets

### LINER:

- 18 gauge, 300 Series stainless steel - 8" deep
- 1" cast brass drain and plug in wet bath

### BODY, UNDERSHELF AND LEGS:

- 20 gauge, 430 Series stainless steel body
- 18 gauge, 430 Series stainless steel undershelf
- 430 Series stainless steel tubular legs with adjustable plastic feet

### CONTROLS:

- Natural or Propane, as specified
- Gas safety pilots standard
- Burners controlled by adjustable valve
- Gas pressure regulator in each unit

### SHORT FORM SPECIFICATIONS:

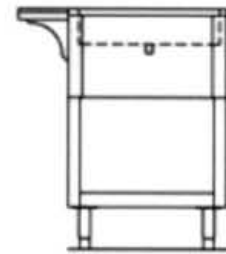
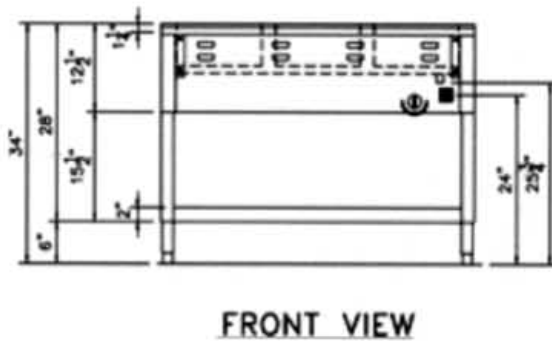
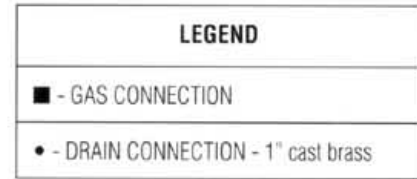
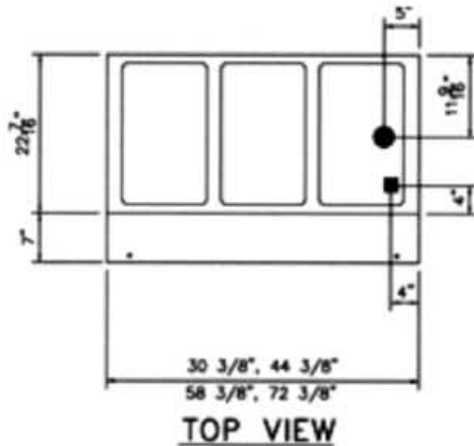
**Duke AeroHot Steamtables - Hot Food Units - Gas Wet Bath.**  
Top shall be heavy gauge, 300 Series stainless steel, with body, undershelf and legs formed of heavy gauge, 430 Series stainless steel. Top shall have die-stamped openings measuring 12-1/16" x 20-1/16". Liner to be 18 gauge, 300 Series stainless steel, 8" deep. Units to be furnished with polycarbonate carving board measuring 7" x 1/2" thick with 18 gauge stainless steel support base and die-stamped brackets. Liner with 1" cast brass drain and plug. Safety pilots are standard and burners to be controlled by adjustable valve. Gas pressure regulator included. 1/2" gas connection on each unit. Unit to be shipped knocked down.

NOT AVAILABLE ON CASTERS. • SPECIFY NATURAL OR PROPANE

# Aerohot®

## AEROHOT STEAMTABLES HOT FOOD UNITS - GAS WET BATH

- WB302** 2 compartment opening
- WB303** 3 compartment opening
- WB304** 4 compartment opening
- WB305** 5 compartment opening



### DIMENSIONS:

Freight Class: 85

Model	Length		Width		Height		Top Openings	Cube ft. crated	Weight	
	in.	cm	in.	cm	in.	cm			lbs.	kg
WB302	30-3/8	77.2	22-7/16	57.1	34	86.4	2	23.4	92	41.8
WB303	44-3/8	112.8	22-7/16	57.1	34	86.4	3	32.5	109	49.6
WB304	58-3/8	148.3	22-7/16	57.1	34	86.4	4	41.5	139	63.2
WB305	72-3/8	183.9	22-7/16	57.1	34	86.4	5	50.5	166	75.5

**POWER SUPPLY:** High altitude orifice available - specify elevation. SPECIFY NATURAL OR PROPANE. 1/2" connection.

Model	Total BTU
WB302	15,000
WB303	15,000
WB304	27,500
WB305	27,500

**NOTE:** No combustible materials should be stored on bottom shelf. NOT AVAILABLE IN PORTABLE MODELS. No provisions shall be made for overshelves or trayslides to be mounted.



"Your Solutions Partner"

**DUKE MANUFACTURING CO.**  
2305 N. Broadway  
St. Louis, MO 63102

800.735.3853 Toll Free  
314.231.1130 In Missouri  
314.231.5074 Fax  
[www.dukemfg.com](http://www.dukemfg.com)

03/03

Specifications subject to change

Printed in U.S.A.  
©2003, Duke Manufacturing Co.