

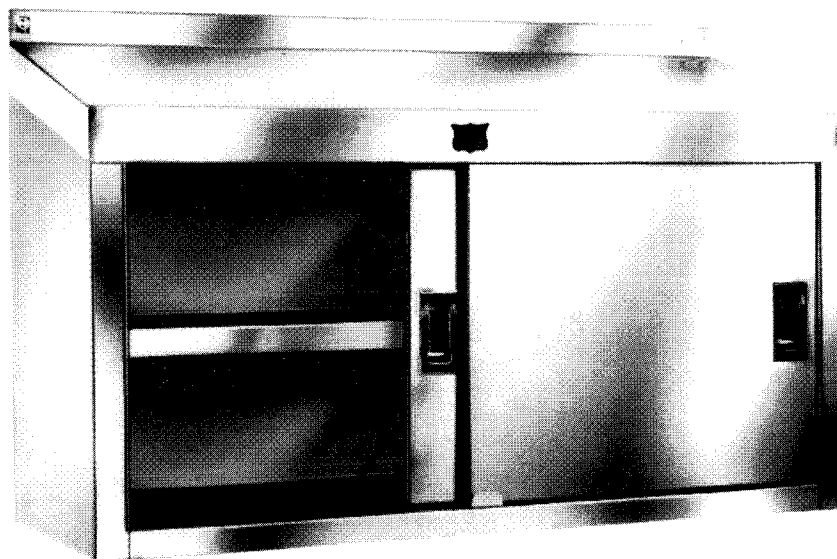
# DUKE

## WALL CABINETS



CATALOG NO. 9207

WCSS-36S



### OVERALL DIMENSIONS:

**Height:** 30", including 2" back turn up

**Width:** 15"

**Length:** 36", 48", 60", 72"

### GENERAL:

Constructed of heavy gauge, 300 Series stainless steel or heavy gauge paint-grip steel painted grey with 2-inch straight turnup.

### SHELF:

Intermediate shelf is stationary with bottom shelf extending out and flush welded to mullions.

### DOORS:

Sliding doors of heavy gauge exterior with heavy gauge ribbed backing welded to exterior for rigid support. Doors hung with steel roller-bearing wheels in overhead track and guided with two (2) stainless steel angle guides on bottom shelf.

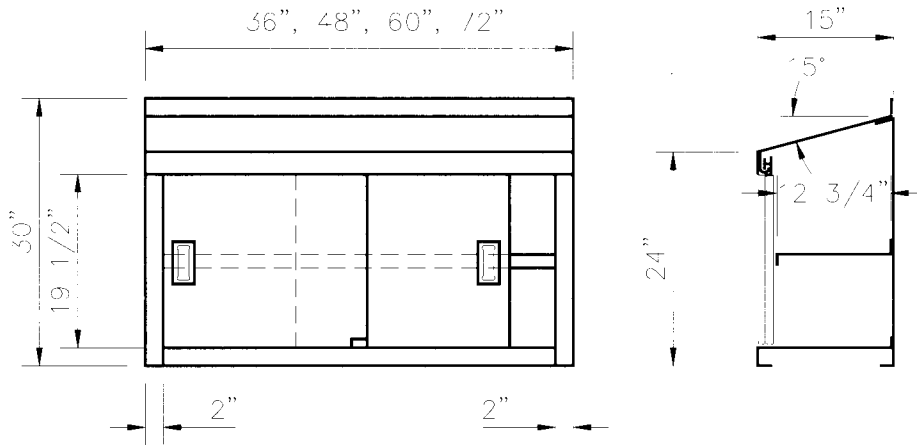
### HANDLES:

Die-stamped and inset in doors.

### TOP:

15° slope from back to front.

# WALL CABINETS



## With Sliding Doors

Model Stainless	Model Paint Grip	Length		Width		Height		Cube ft.	Weight	
		in.	cm	in.	cm	in.	cm		lbs.	kg
WCSS-36S	WCPG-36S	36	91.4	15	38.1	30	76.2	12.0	130	59.1
WCSS-48S	WCPG-48S	48	121.9	15	38.1	30	76.2	15.8	175	79.6
WCSS-60S	WCPG-60S	60	152.4	15	38.1	30	76.2	19.6	220	100.0
WCSS-72S	WCPG-72S	72	182.9	15	38.1	30	76.2	23.3	250	113.6

## With Hinged Doors

Model Stainless	Model Paint Grip	Length		Width		Height		Cube ft.	Weight	
		in.	cm	in.	cm	in.	cm		lbs.	kg
WCSS-36H	WCPG-36H	36	91.4	15	38.1	30	76.2	12.0	130	59.1
WCSS-48H	WCPG-48H	48	121.9	15	38.1	30	76.2	15.8	175	79.6
WCSS-60H	WCPG-60H	60	152.4	15	38.1	30	76.2	19.6	220	100.0
WCSS-72H	WCPG-72H	72	182.9	15	38.1	30	76.2	23.3	250	113.6

## With Open Shelves

Model Stainless	Model Paint Grip	Length		Width		Height		Cube ft.	Weight	
		in.	cm	in.	cm	in.	cm		lbs.	kg
WCSS-36O	WCPG-36O	36	91.4	15	38.1	30	76.2	12.0	115	52.3
WCSS-48O	WCPG-48O	48	121.9	15	38.1	30	76.2	15.8	155	70.5
WCSS-60O	WCPG-60O	60	152.4	15	38.1	30	76.2	19.6	195	88.6
WCSS-72O	WCPG-72O	72	182.9	15	38.1	30	76.2	23.3	215	97.7

**OPTIONS:** Adjustable center shelf  
Upper and lower corner fillers

Open shelves

Locks and keys on doors  
Hinged doors

Specifications subject to change