



Profit from the Eagle Advantage®

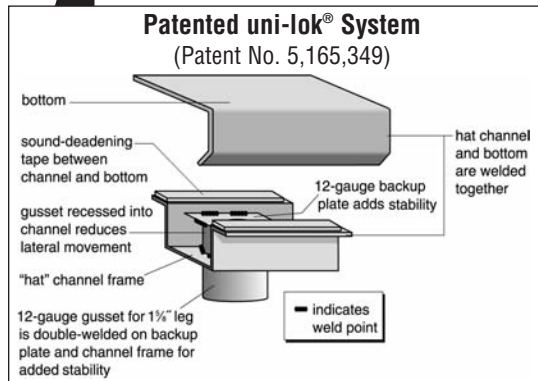
Specification Sheet

Short Form Specifications

Eagle Spec-Master® Marine Counter Edge Cabinets with Flat Top, model _____. Top is 14/304 stainless steel, sides and back are heavy gauge stainless steel. Open front, stainless steel sliding doors, or stainless steel hinged doors. Marine counter edge on all sides. Constructed with uni-lok® patented gusset system, with the gussets recessed into channels, to reduce lateral movement. 1½" O.D. stainless steel tubular legs with adjustable stainless steel bullet feet.



enclosed worktable with sliding doors



Item No.: _____
 Project No.: _____
 S.I.S. No.: _____

Spec-Master® Marine Counter Edge Cabinets with Flat Top

MODELS:

- | | | |
|-------------------------------------|-------------------------------------|--------------------------------------|
| <input type="checkbox"/> OB2436SEM | <input type="checkbox"/> CB2436SEM | <input type="checkbox"/> CBH2436SEM |
| <input type="checkbox"/> OB2448SEM | <input type="checkbox"/> CB2448SEM | <input type="checkbox"/> CBH2448SEM |
| <input type="checkbox"/> OB2460SEM | <input type="checkbox"/> CB2460SEM | <input type="checkbox"/> CBH2460SEM |
| <input type="checkbox"/> OB2472SEM | <input type="checkbox"/> CB2472SEM | <input type="checkbox"/> CBH2472SEM |
| <input type="checkbox"/> OB2484SEM | <input type="checkbox"/> CB2484SEM | <input type="checkbox"/> CBH2484SEM |
| <input type="checkbox"/> OB2496SEM | <input type="checkbox"/> CB2496SEM | <input type="checkbox"/> CBH2496SEM |
| <input type="checkbox"/> OB24120SEM | <input type="checkbox"/> CB24120SEM | <input type="checkbox"/> CBH24120SEM |
| <input type="checkbox"/> OB3036SEM | <input type="checkbox"/> CB3036SEM | <input type="checkbox"/> CBH3036SEM |
| <input type="checkbox"/> OB3048SEM | <input type="checkbox"/> CB3048SEM | <input type="checkbox"/> CBH3048SEM |
| <input type="checkbox"/> OB3060SEM | <input type="checkbox"/> CB3060SEM | <input type="checkbox"/> CBH3060SEM |
| <input type="checkbox"/> OB3072SEM | <input type="checkbox"/> CB3072SEM | <input type="checkbox"/> CBH3072SEM |
| <input type="checkbox"/> OB3084SEM | <input type="checkbox"/> CB3084SEM | <input type="checkbox"/> CBH3084SEM |
| <input type="checkbox"/> OB3096SEM | <input type="checkbox"/> CB3096SEM | <input type="checkbox"/> CBH3096SEM |
| <input type="checkbox"/> OB30120SEM | <input type="checkbox"/> CB30120SEM | <input type="checkbox"/> CBH30120SEM |

Tabletop

- 14 gauge type 304 stainless steel.
- Reinforced with full length "hat" channel support.
- Marine counter edge, set in 1" (25mm), on all sides, designed to retard spillage.

Cabinet

- Cabinet body is heavy gauge type 304 stainless steel.
- Available with open front, or with 20 gauge stainless steel sliding or hinged doors*.
- Bottom panel features an offset designed to retard spillage.

Legs

- uni-lok® leg/gusset channel assembly (patent #5,165,349).
- Adjustable stainless bullet feet—1" (25mm) adjustment.

Options / Accessories

- Center shelf**

* Cabinets 84" (2134mm) and longer have two sets of sliding or hinged doors.
 ** To order center shelf, add suffix "-CS". Example: CB3036SEM-CS

EAGLE GROUP
 100 Industrial Boulevard, Clayton, DE 19938-8903 USA
 Phone: 302-653-3000 • Fax: 302-653-2065
 www.eaglegrp.com

Foodservice Division: Phone 800-441-8440
MHC/Retail Display Divisions: Phone 800-637-5100

For custom configuration or fabrication needs, contact our **SpecFAB® Division**.
 Phone: 302-653-3000 • Fax: 302-653-3091 • e-mail: specfab@eaglegrp.com



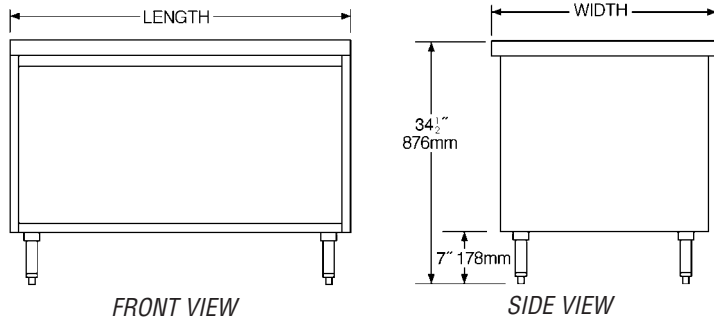
EG10.33A Rev. 12/09

Spec sheets available for viewing, printing or downloading from our online literature library at www.eaglegrp.com



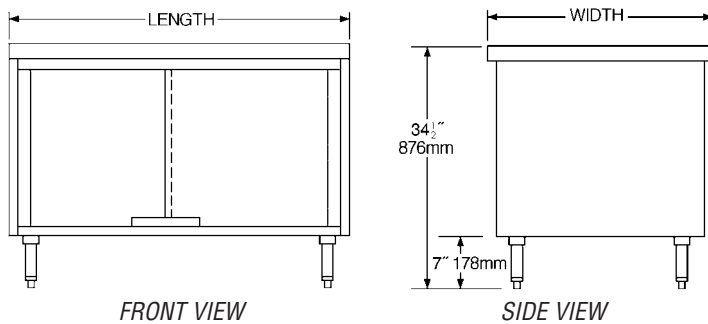
Item No.: _____
 Project No.: _____
 S.I.S. No.: _____

Spec-Master® Marine Counter Edge Cabinets with Open Front



model #	width		length		weight	
	in.	mm	in.	mm	lbs.	kg
OB2436SEM	24"	610	36"	914	132	59.9
OB2448SEM	24"	610	48"	1219	160	72.6
OB2460SEM	24"	610	60"	1524	200	90.7
OB2472SEM	24"	610	72"	1829	240	108.9
OB2484SEM	24"	610	84"	2134	281	127.5
OB2496SEM	24"	610	96"	2438	322	146.1
OB24120SEM	24"	610	120"	3048	366	166.0
OB3036SEM	30"	762	36"	914	136	61.7
OB3048SEM	30"	762	48"	1219	166	75.3
OB3060SEM	30"	762	60"	1524	199	90.3
OB3072SEM	30"	762	72"	1829	248	112.5
OB3084SEM	30"	762	84"	2134	294	133.4
OB3096SEM	30"	762	96"	2438	340	154.2
OB30120SEM	30"	762	120"	3048	432	196.0

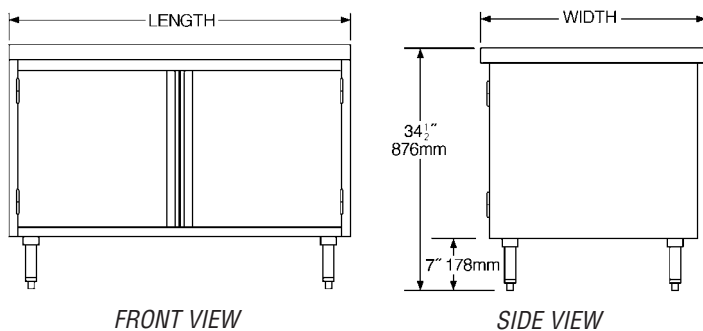
Spec-Master® Marine Counter Edge Cabinets with Sliding Doors



model #	width		length		weight	
	in.	mm	in.	mm	lbs.	kg
CB2436SEM	24"	610	36"	914	138	62.6
CB2448SEM	24"	610	48"	1219	170	77.1
CB2460SEM	24"	610	60"	1524	212	96.2
CB2472SEM	24"	610	72"	1829	254	115.2
CB2484SEM*	24"	610	84"	2134	299	135.6
CB2496SEM*	24"	610	96"	2438	339	153.8
CB24120SEM*	24"	610	120"	3048	384	174.2
CB3036SEM	30"	762	36"	914	142	64.4
CB3048SEM	30"	762	48"	1219	173	78.5
CB3060SEM	30"	762	60"	1524	219	99.3
CB3072SEM	30"	762	72"	1829	261	118.4
CB3084SEM*	30"	762	84"	2134	312	141.5
CB3096SEM*	30"	762	96"	2438	350	158.8
CB30120SEM*	30"	762	120"	3048	450	204.1

* Note: Worktables 84" (2134mm) and longer have two sets of doors.

Spec-Master® Marine Counter Edge Cabinets with Hinged Doors



model #	width		length		weight	
	in.	mm	in.	mm	lbs.	kg
CBH2436SEM	24"	610	36"	914	138	62.6
CBH2448SEM	24"	610	48"	1219	170	77.1
CBH2460SEM	24"	610	60"	1524	212	96.2
CBH2472SEM	24"	610	72"	1829	254	115.2
CBH2484SEM*	24"	610	84"	2134	299	135.6
CBH2496SEM*	24"	610	96"	2438	339	153.8
CBH24120SEM*	24"	610	120"	3048	384	174.2
CBH3036SEM	30"	762	36"	914	142	64.4
CBH3048SEM	30"	762	48"	1219	173	78.5
CBH3060SEM	30"	762	60"	1524	219	99.3
CBH3072SEM	30"	762	72"	1829	261	118.4
CBH3084SEM*	30"	762	84"	2134	312	141.5
CBH3096SEM*	30"	762	96"	2438	350	158.8
CBH30120SEM*	30"	762	120"	3048	450	204.1

* Note: Worktables 84" (2134mm) and longer have two sets of doors.

EAGLE GROUP
 100 Industrial Boulevard, Clayton, DE 19938-8903 USA
 Phone: 302-653-3000 • Fax: 302-653-2065
 www.eaglegrp.com

Foodservice Division: Phone 800-441-8440
 MHC/Retail Display Divisions: Phone 800-637-5100

Printed in U.S.A.
 ©2009 by Eagle Group

Rev. 12/09

Spec sheets available for viewing, printing or downloading from our online literature library at www.eaglegrp.com

Although every attempt has been made to ensure the accuracy of the information provided, we cannot be held responsible for typographical or printing errors. Information and specifications are subject to change without notice. Please confirm at time of order.